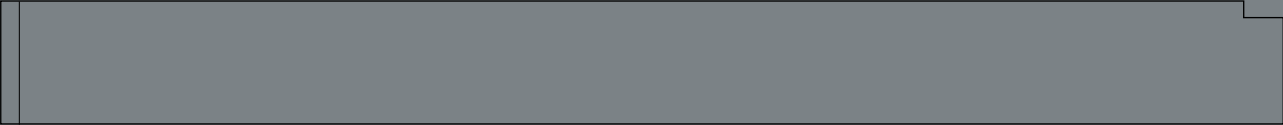
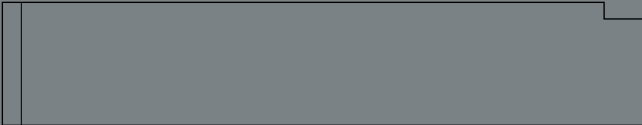


# Hexagon Guide

Technical documentation



# Specifications and installation

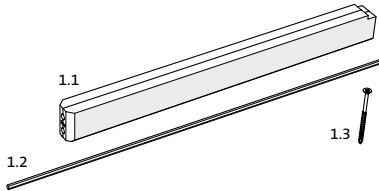
When the pivot point of a pivot door is more than 280 mm from the side of the door, the FritsJurgens Hexagon Guide simplifies the installation of the top pivot. The Hexagon Guide acts as a centre guide and features pre-positioned holes. This allows the top pivot to be adjusted accurately and easily. This makes it straightforward to correctly set the hinge and closing gaps of the pivot door. During adjustment, the Hexagon Guide provides good accessibility and extra stability.

The Hexagon Guide is made from Durodeen. This is a lightweight material with a very uniform and homogeneous structure. Durodeen is easy to process and can be sawn and sanded with ease. Epoxy repair compounds and assembly adhesives bond excellently. The material is highly suitable for finishing with paint systems and because it is moisture-resistant, paint adheres well and durably. In addition, Durodeen is dimensionally stable and easy to screw into.

# Components

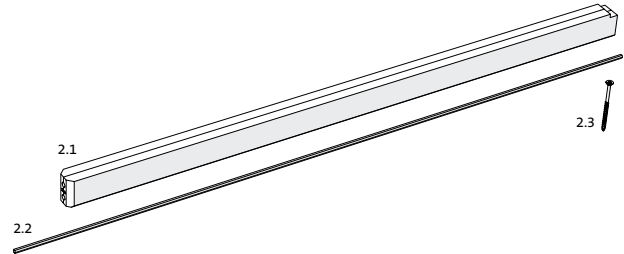
## MT.Hex.1m

- 1.1 Hexagon Guide 1 m
- 1.2 Hexagon 1.1 m
- 1.3 Screw (4x70) (4x)

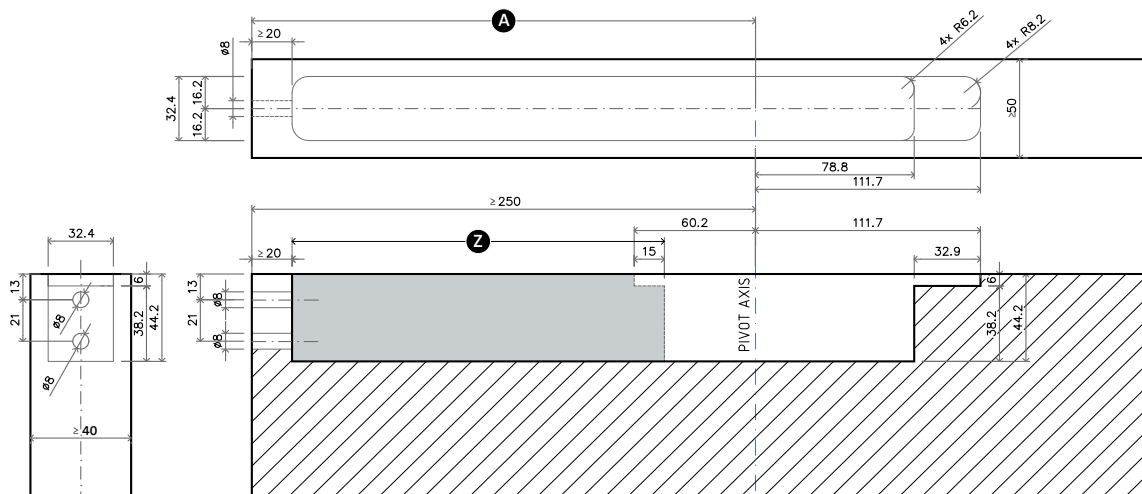


## MT.Hex.2m

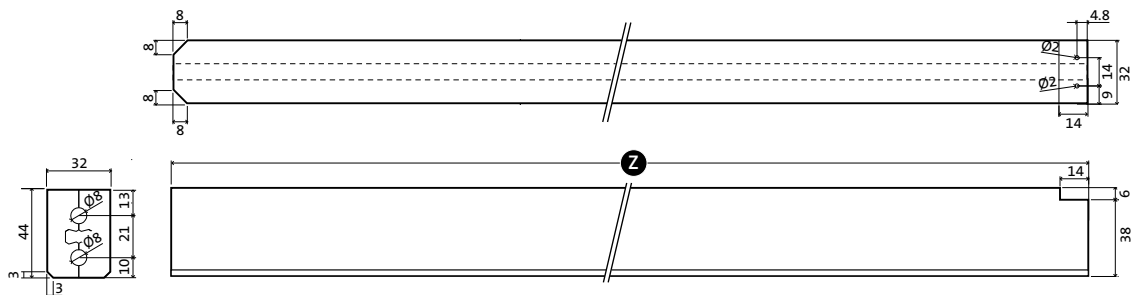
- 2.1 Hexagon Guide 2 m
- 2.2 Hexagon 2.1 m
- 2.3 Screw (4x70) (6x)



# Routing drawing

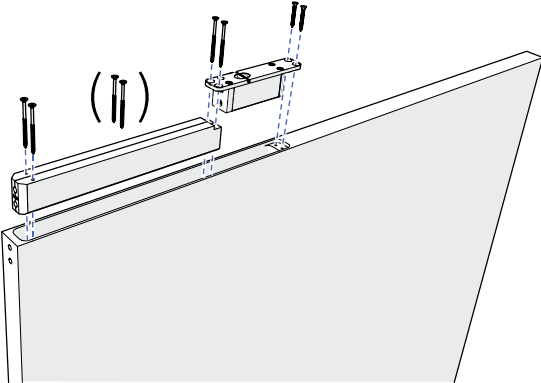


# Technical drawing



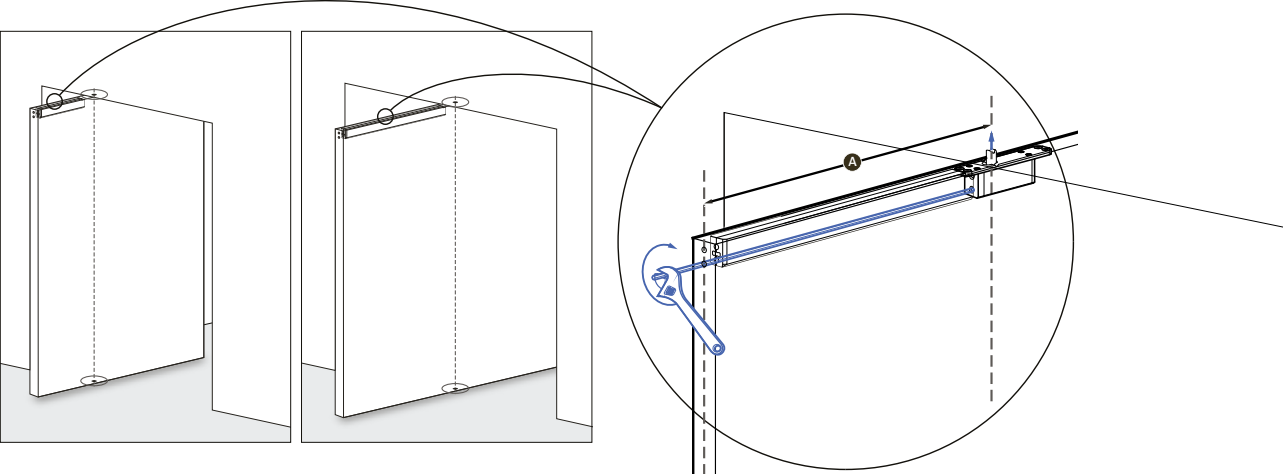
# Installation

---



# Adjusting the top pivot

---



**FritsJurgens International**

A. Einsteinlaan 1  
9615 TE Kolham  
The Netherlands  
+31 598 343 410  
info@fritsjurgens.com

**FritsJurgens Middle East & Asia**

Building A3 Unit 516/517  
Dubai South  
Dubai  
United Arab Emirates  
+971 4 575 8493  
dubai@fritsjurgens.com

**FritsJurgens North America**

228 East 45th Street, Suite 9E  
New York, NY 10017  
United States  
+1 800 597 4961  
northamerica@fritsjurgens.com

fritsjurgens.com

**FritsJurgens®**