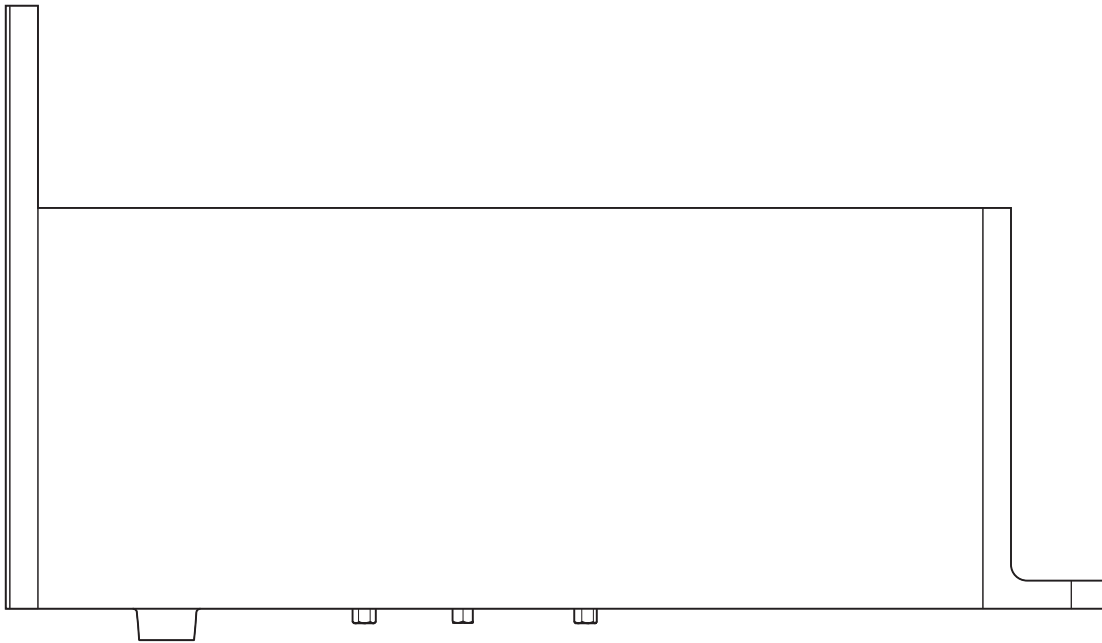


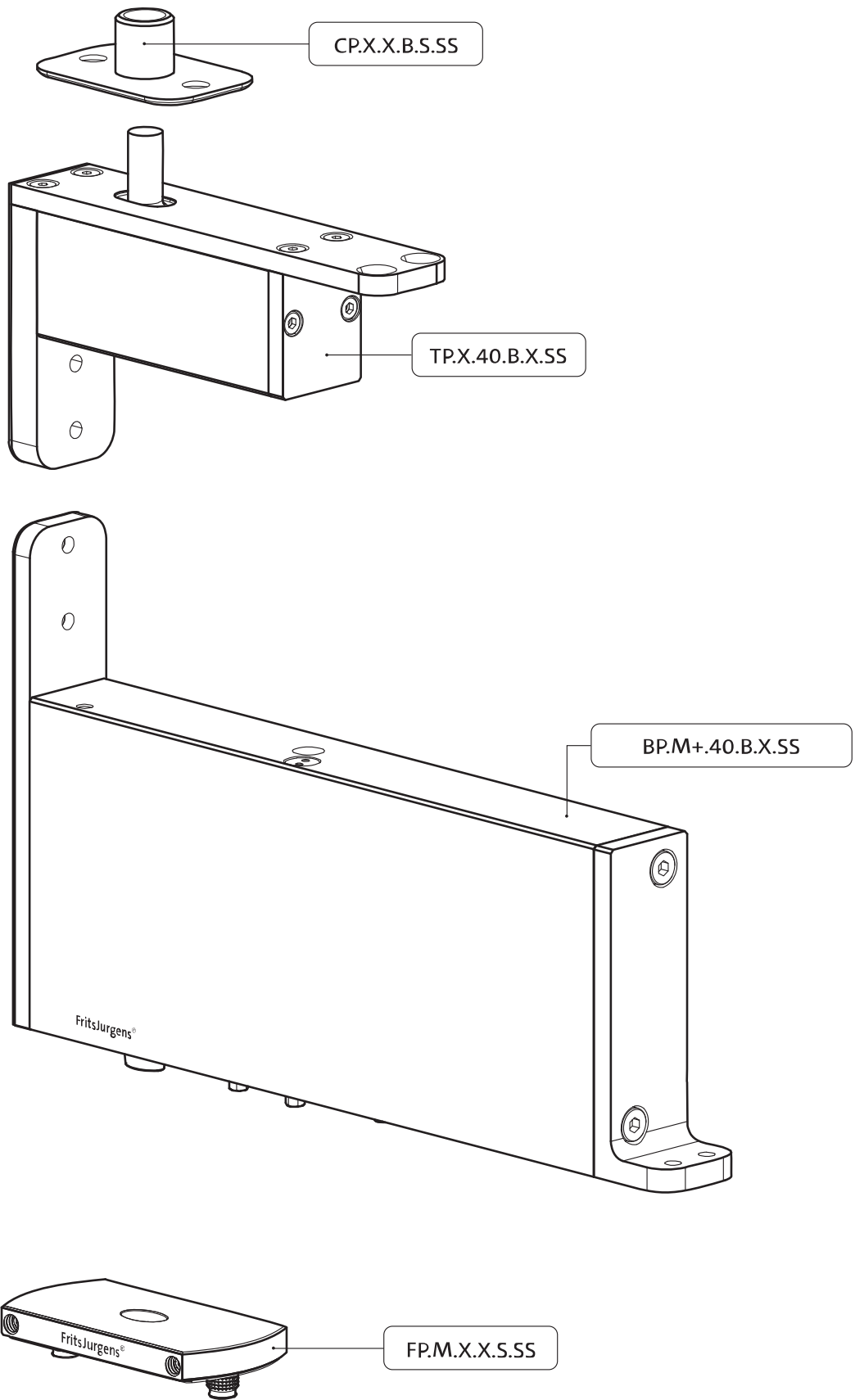
System M+

Milling and mounting manual

FritsJurgens Set - 40 mm Class B - squared - stainless steel

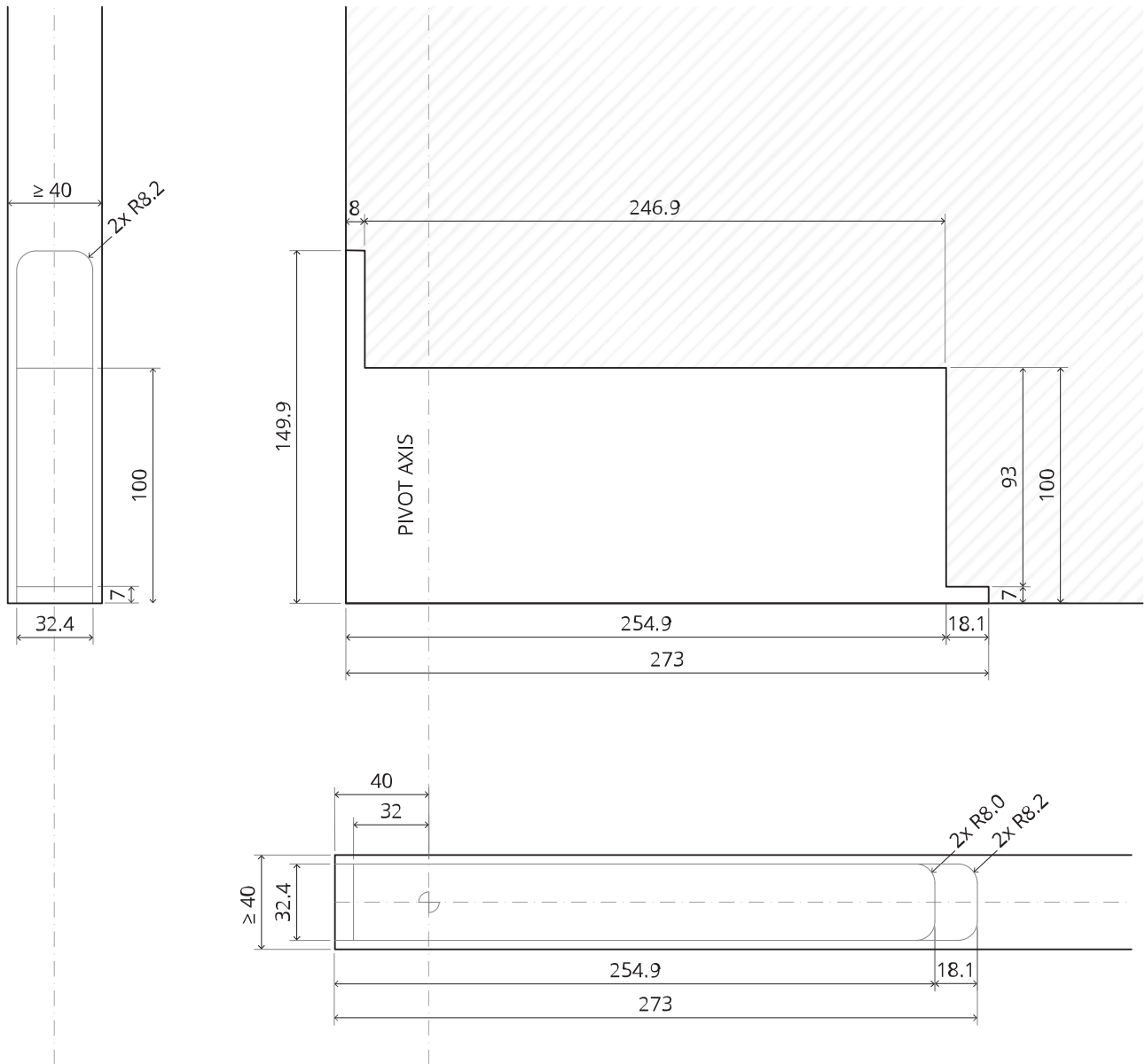


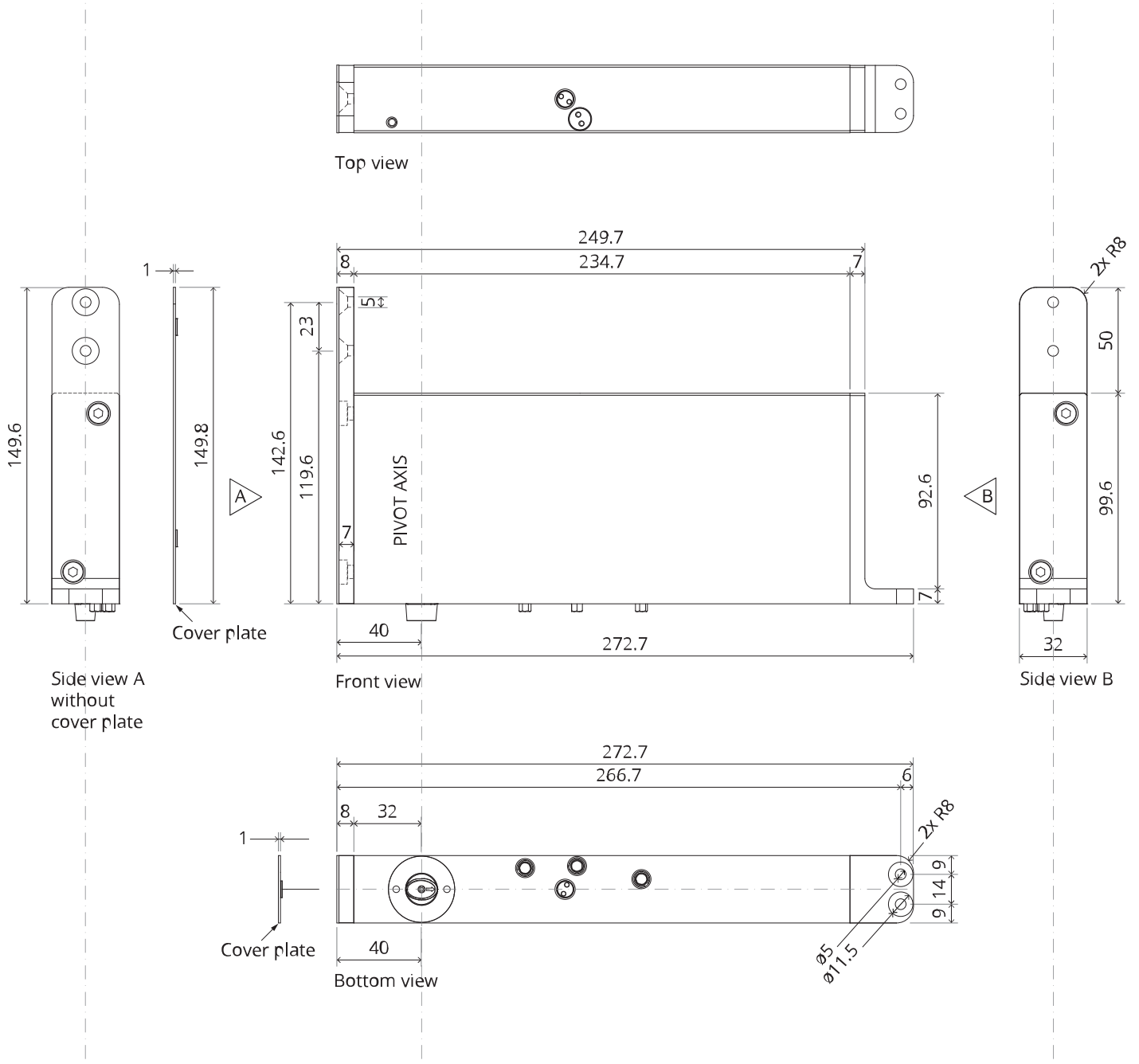
FritsJurgens®



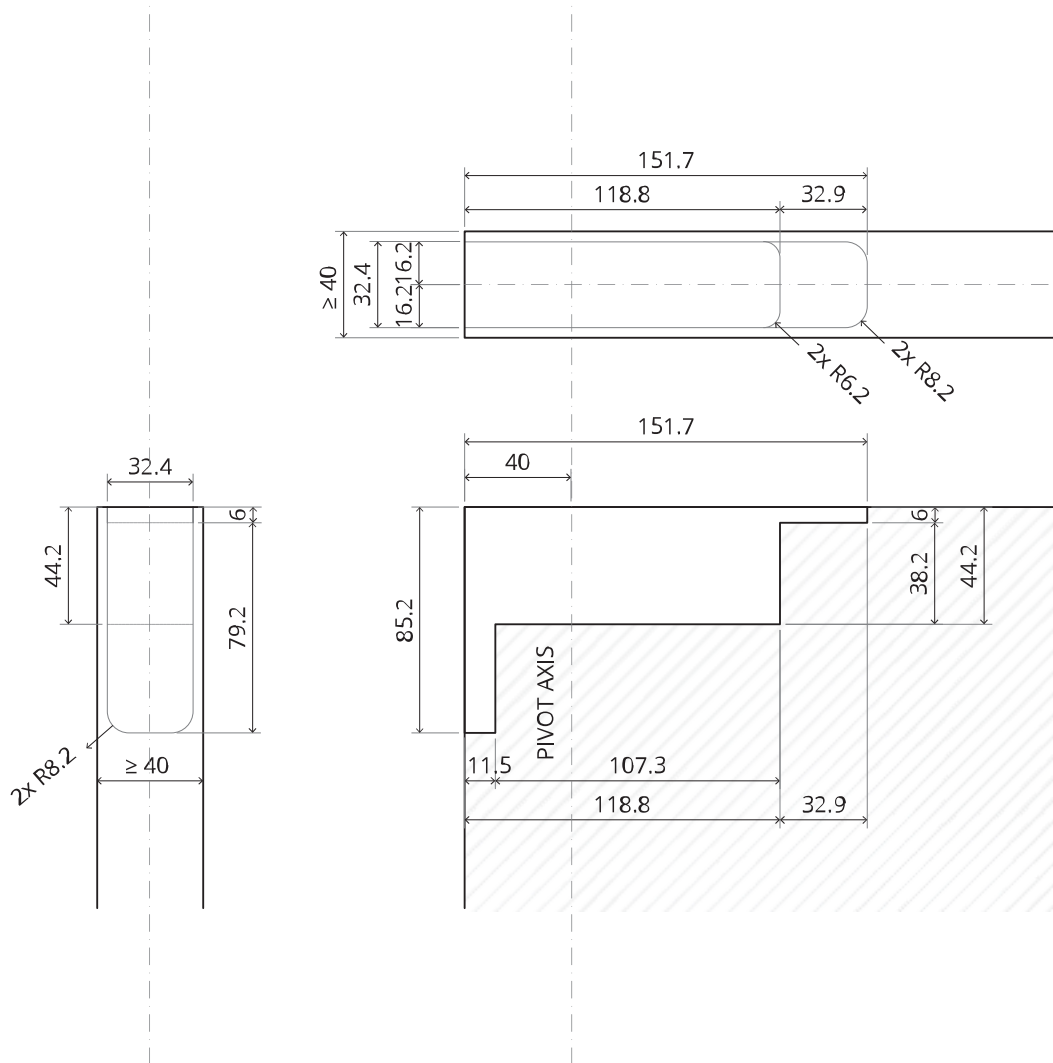
Milling instructions

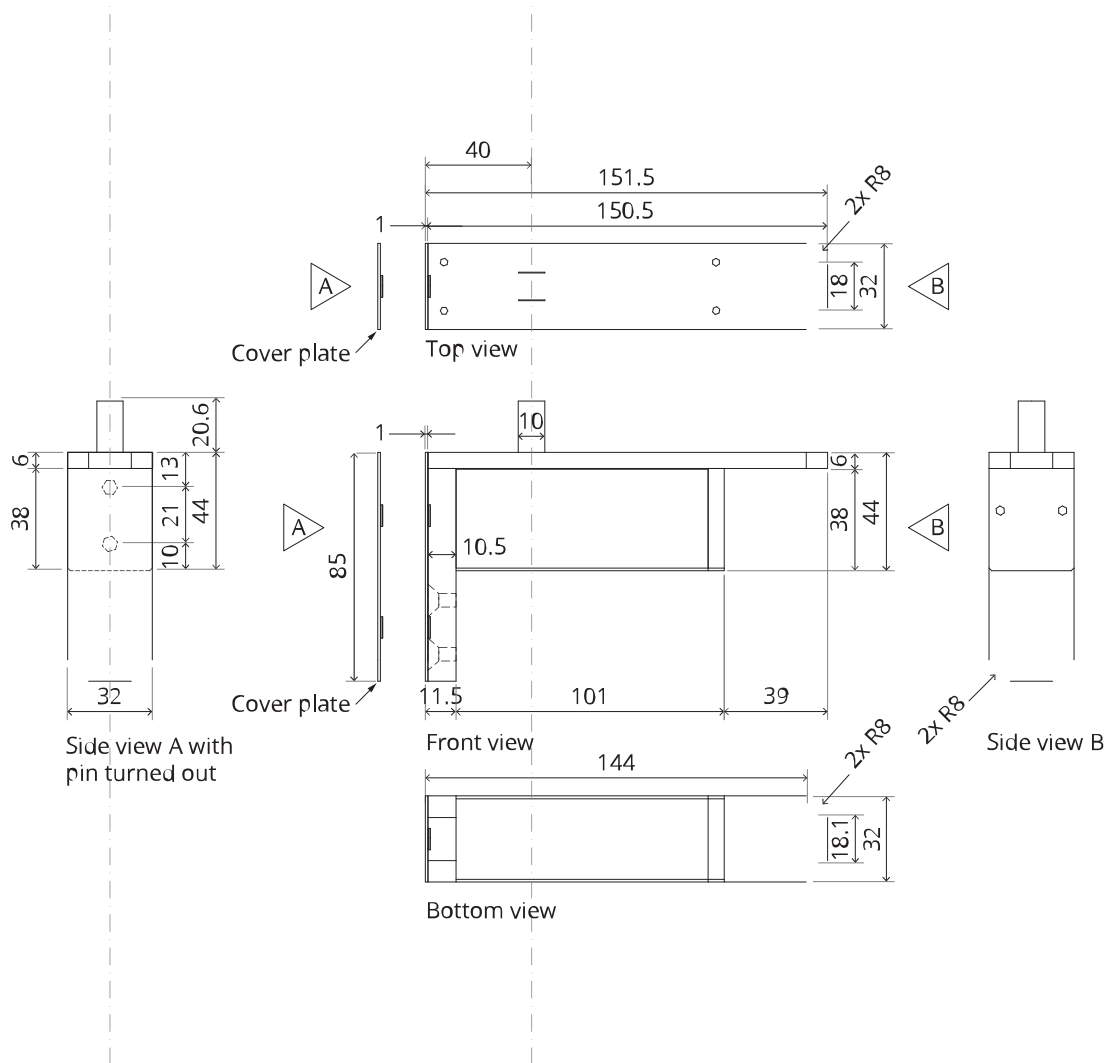
BP.M+.40.B.X.SS



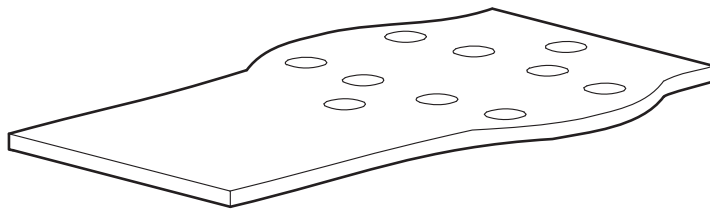


TP.X.40.B.X.SS

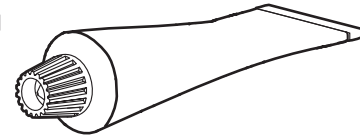




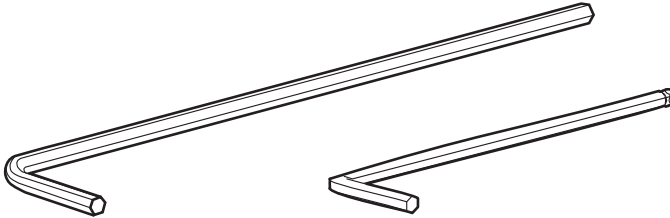
Mounting instructions



FJ.MT.DT.M

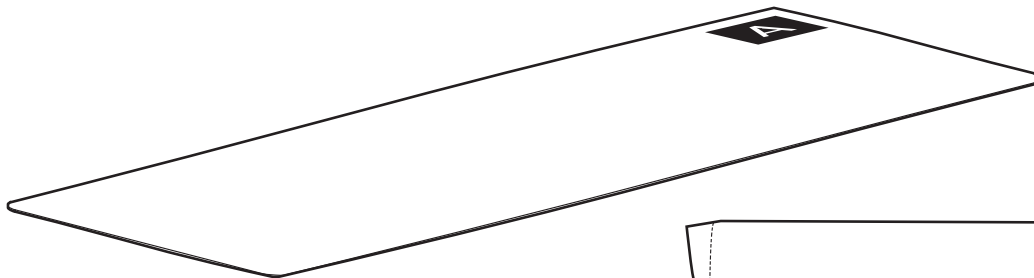


FJ.MT.ZS

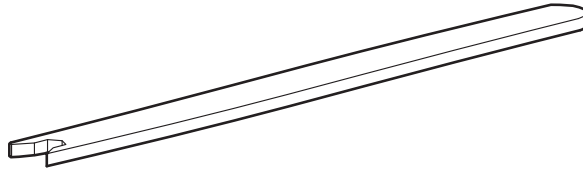


FJ.MT.AK3

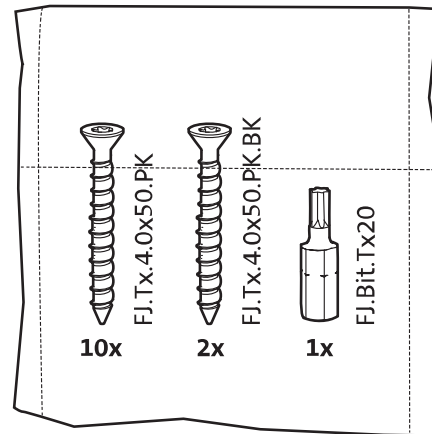
FJ.MT.AK5x24



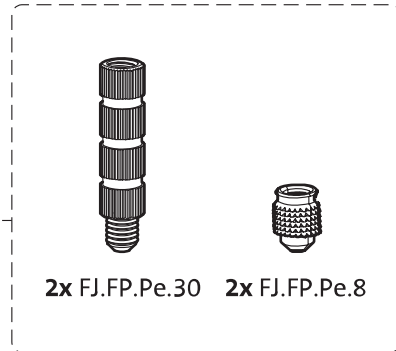
FJ.MT.AC.M+



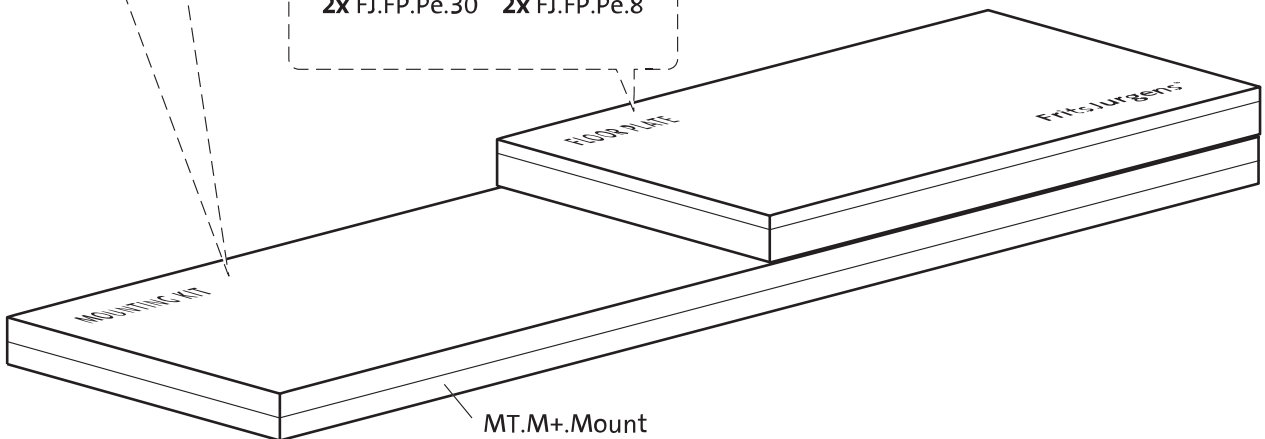
FJ.MT.AS.M



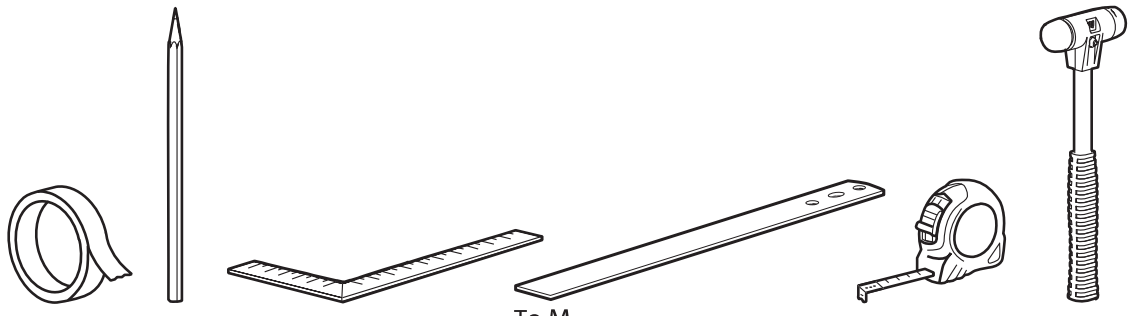
FJ.Tx.12x.4.0x50



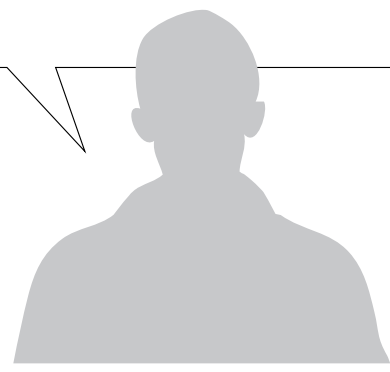
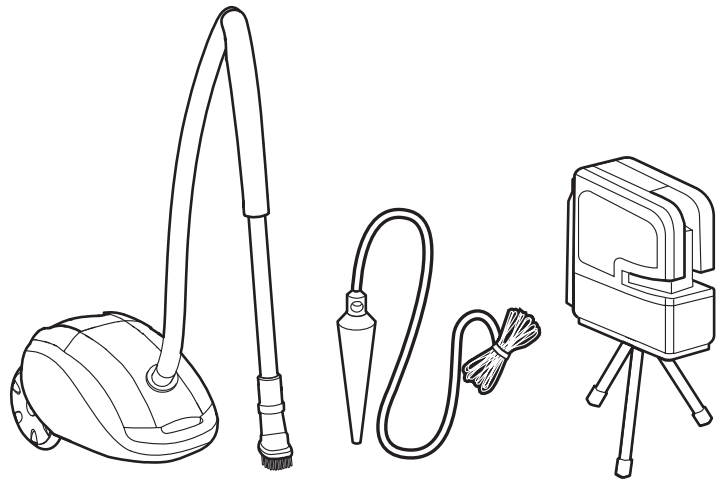
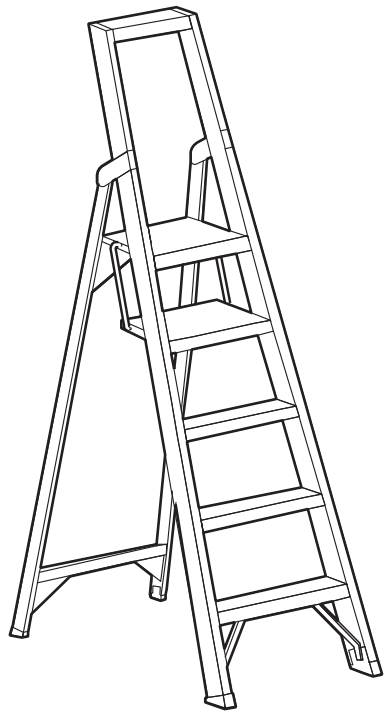
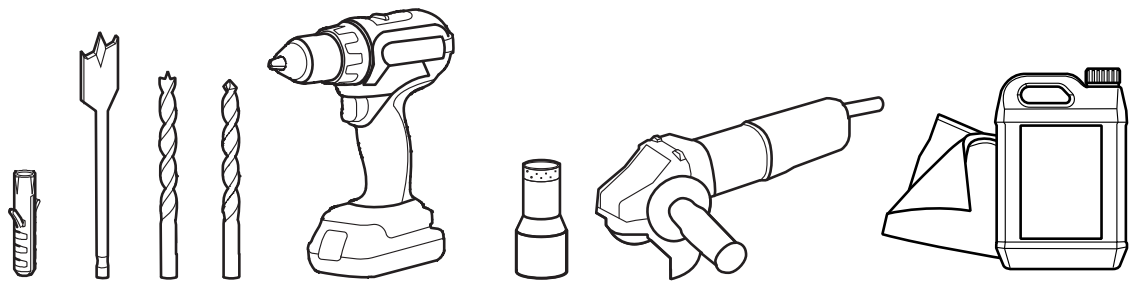
2x FJ.FP.Pe.30 2x FJ.FP.Pe.8

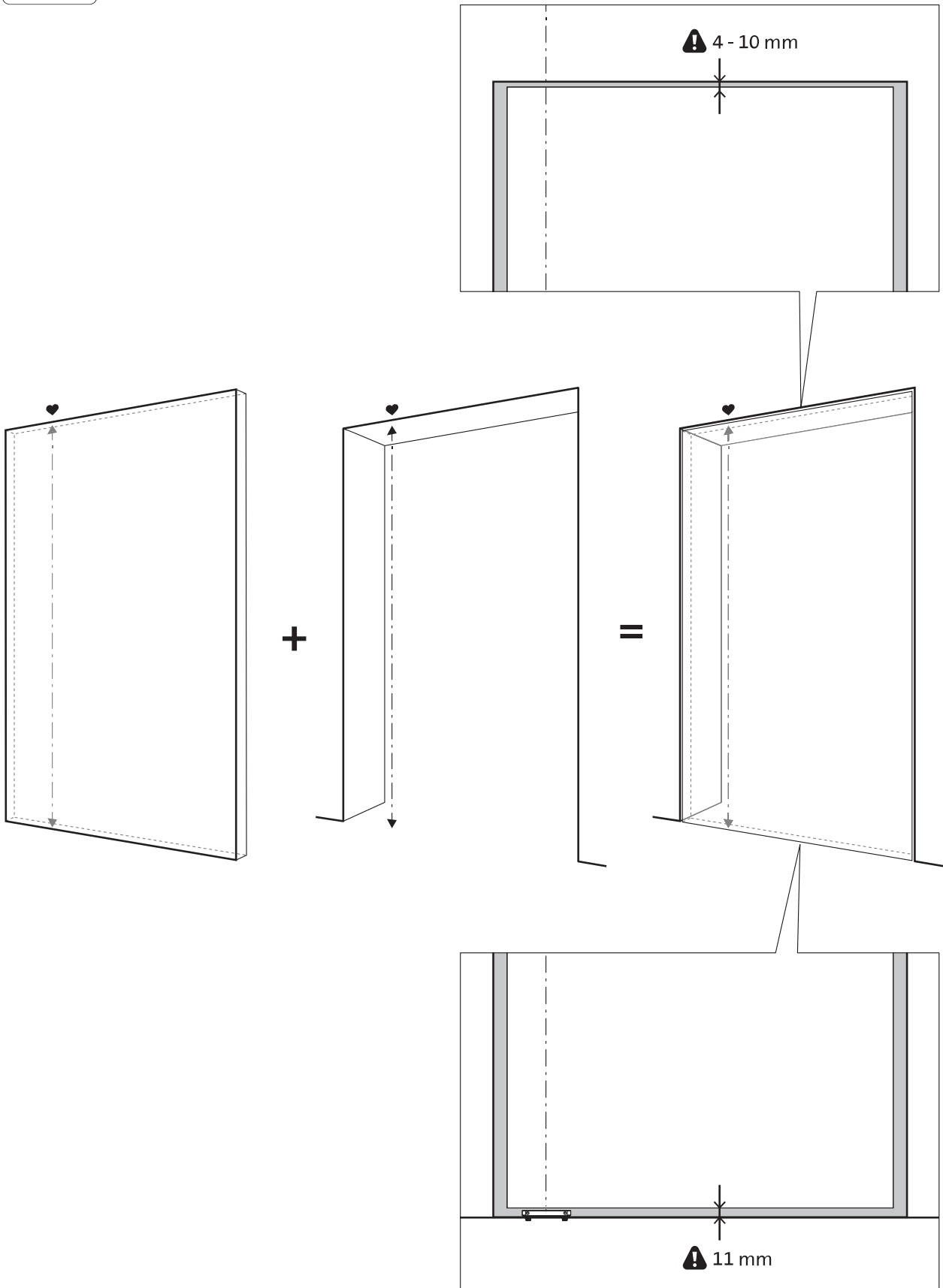


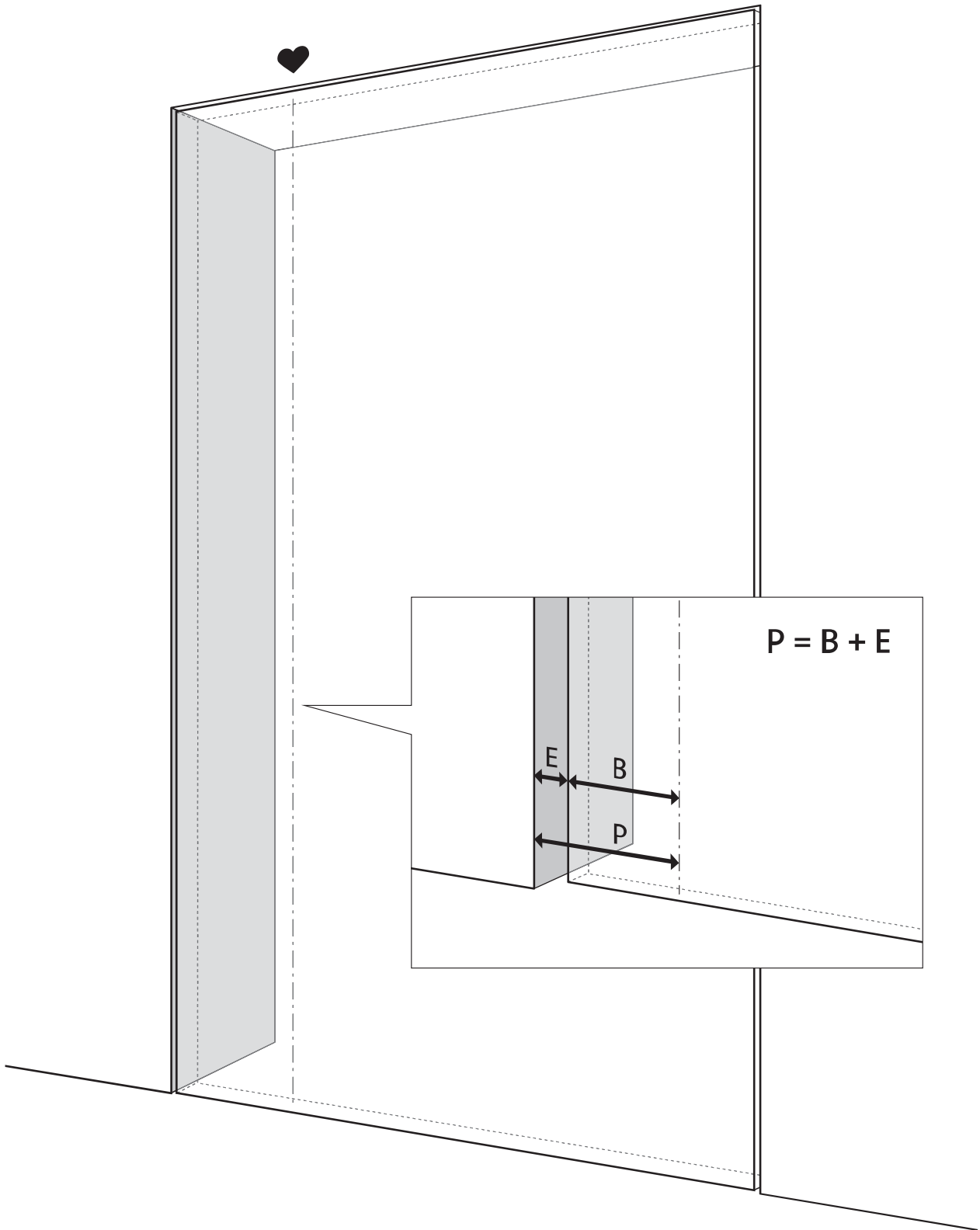
MT.M+.Mount

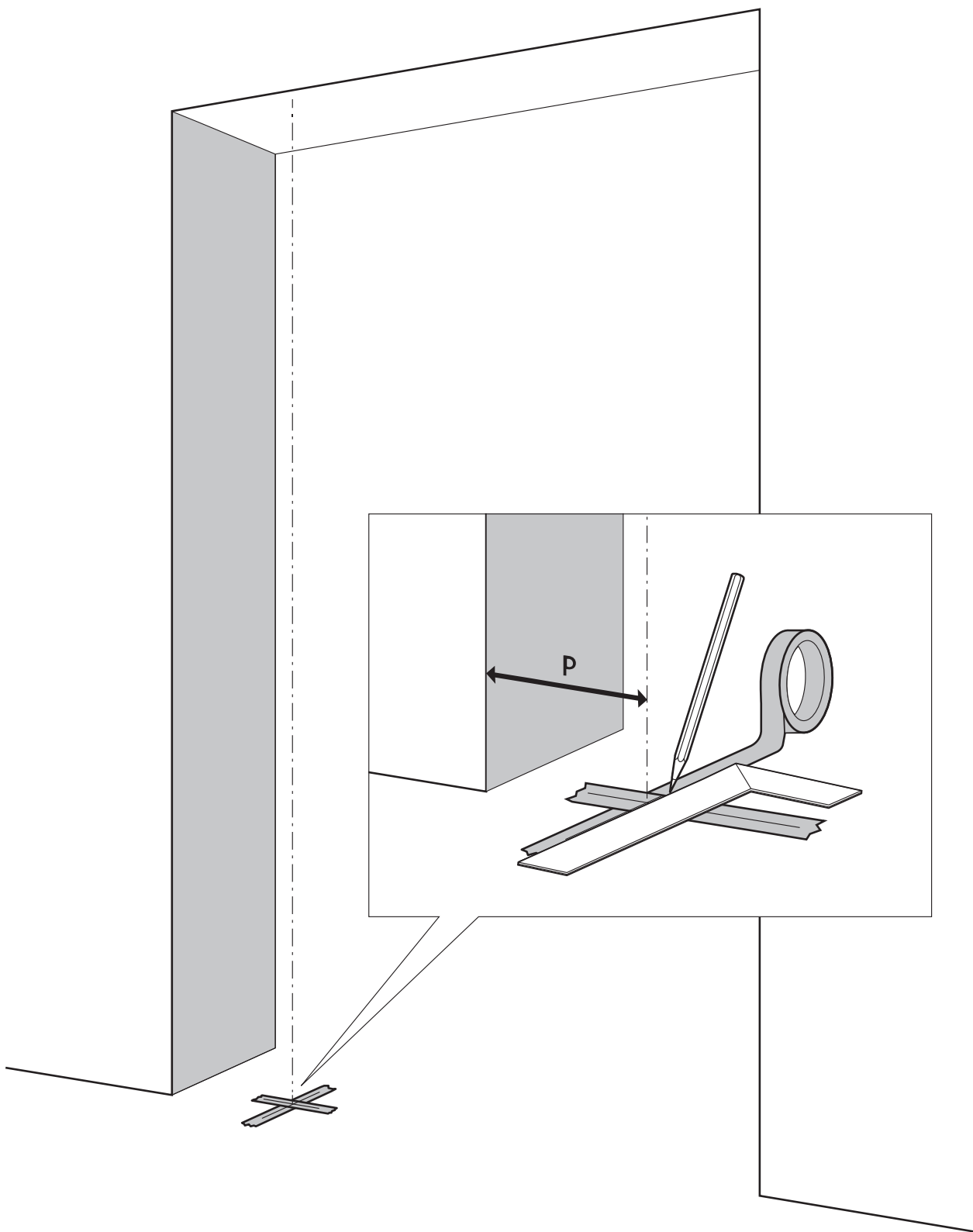
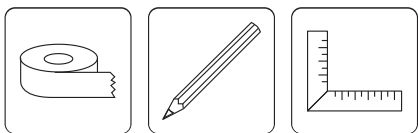


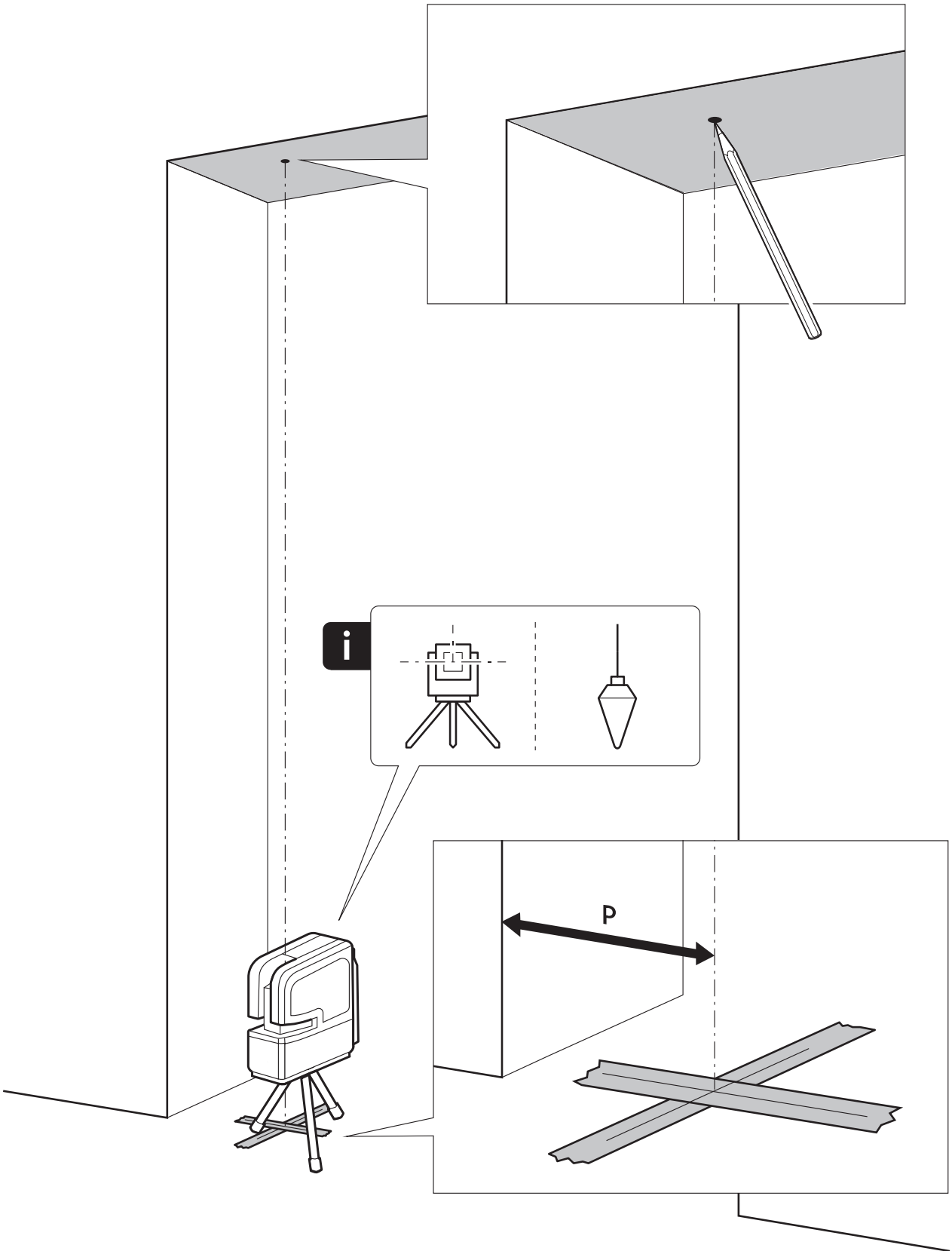
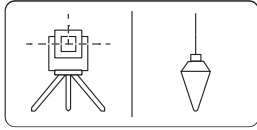
To.M

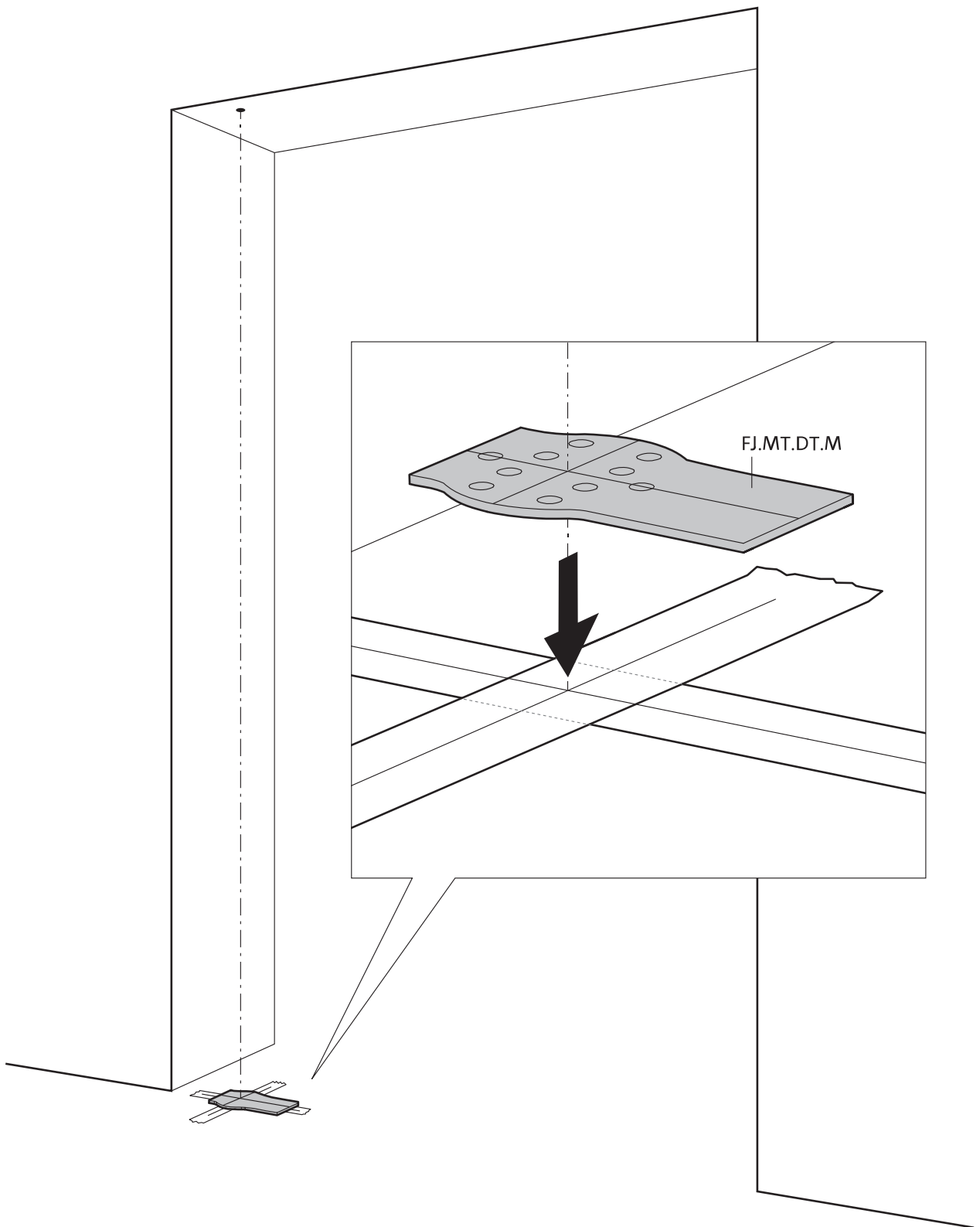


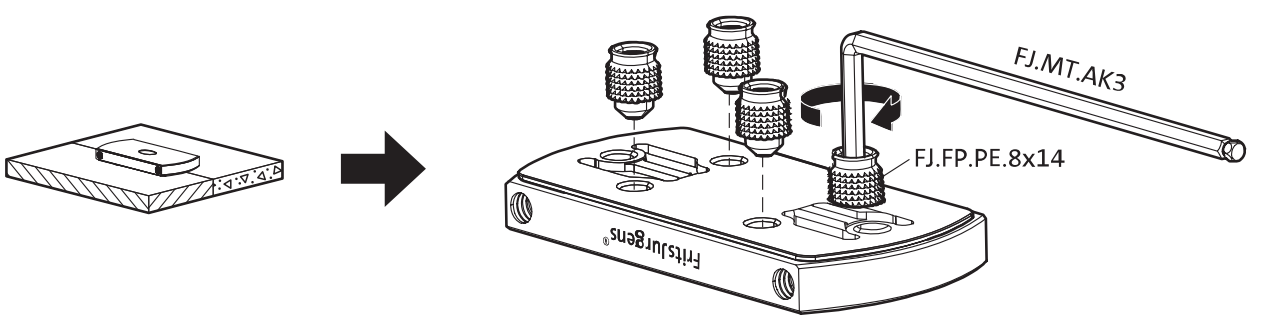
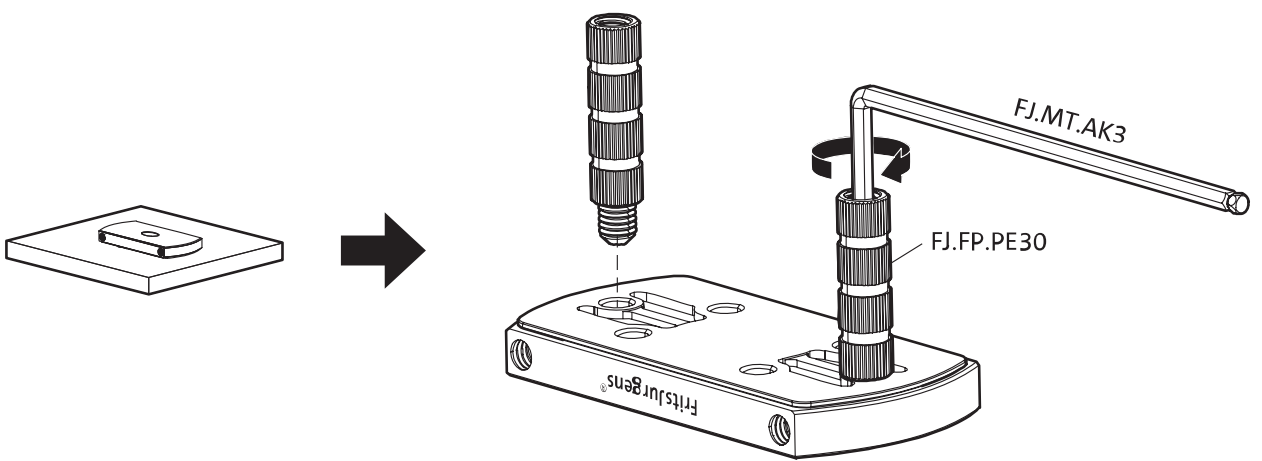
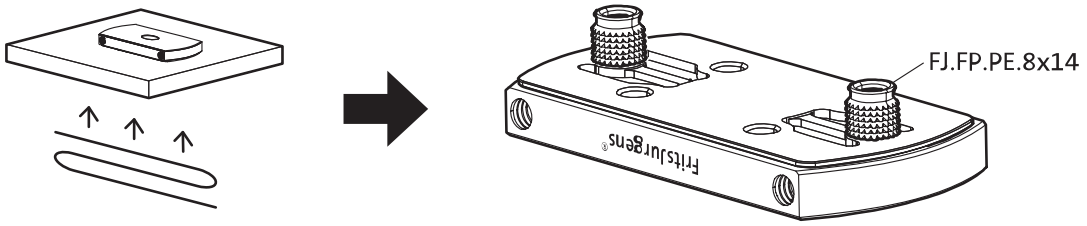






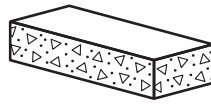
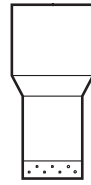




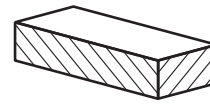




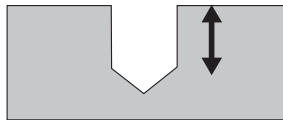
ø8 mm (5/16")



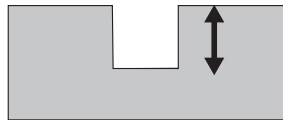
ø8 mm (5/16")



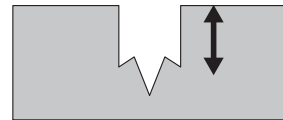
ø7.5 mm (19/64")



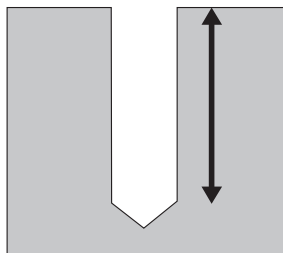
8 mm (5/16")



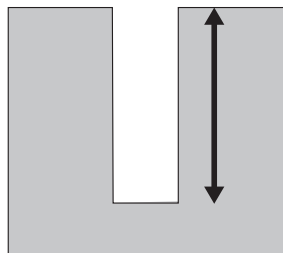
8 mm (5/16")



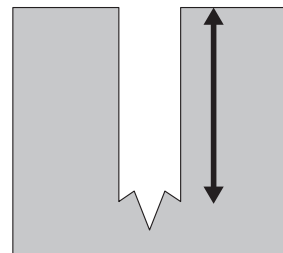
8 mm (5/16")



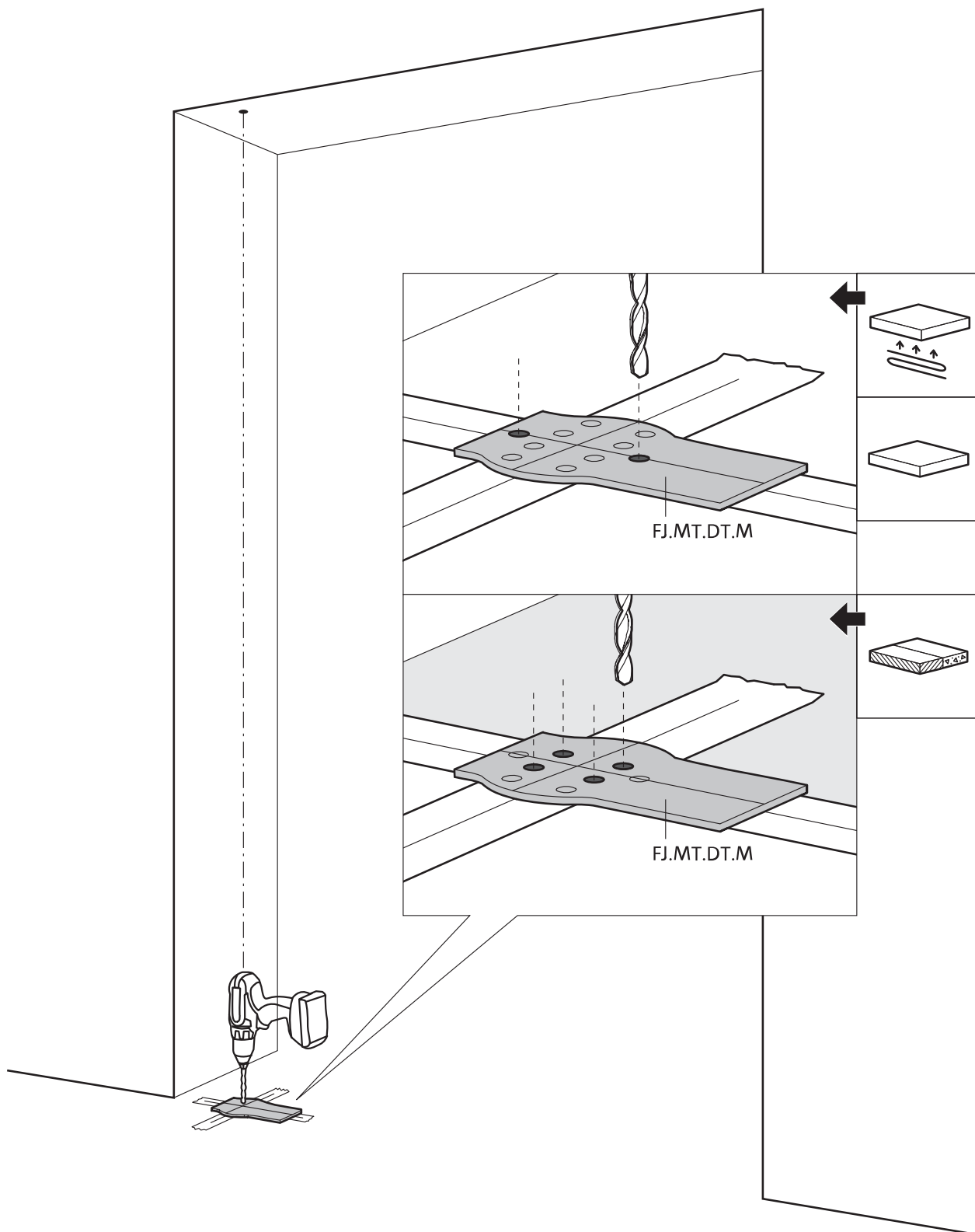
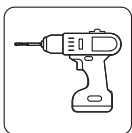
30 mm (13/16")

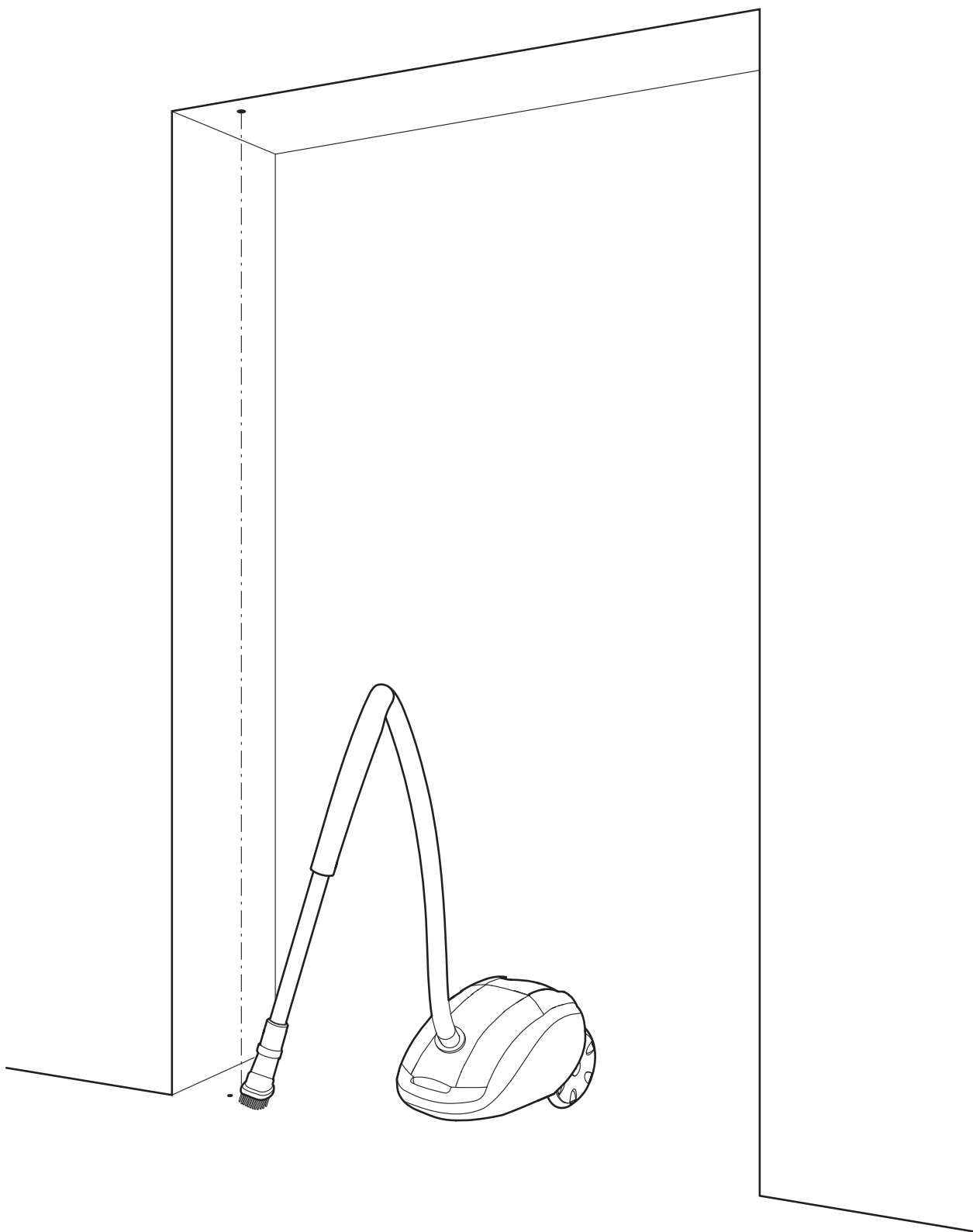


30 mm (13/16")



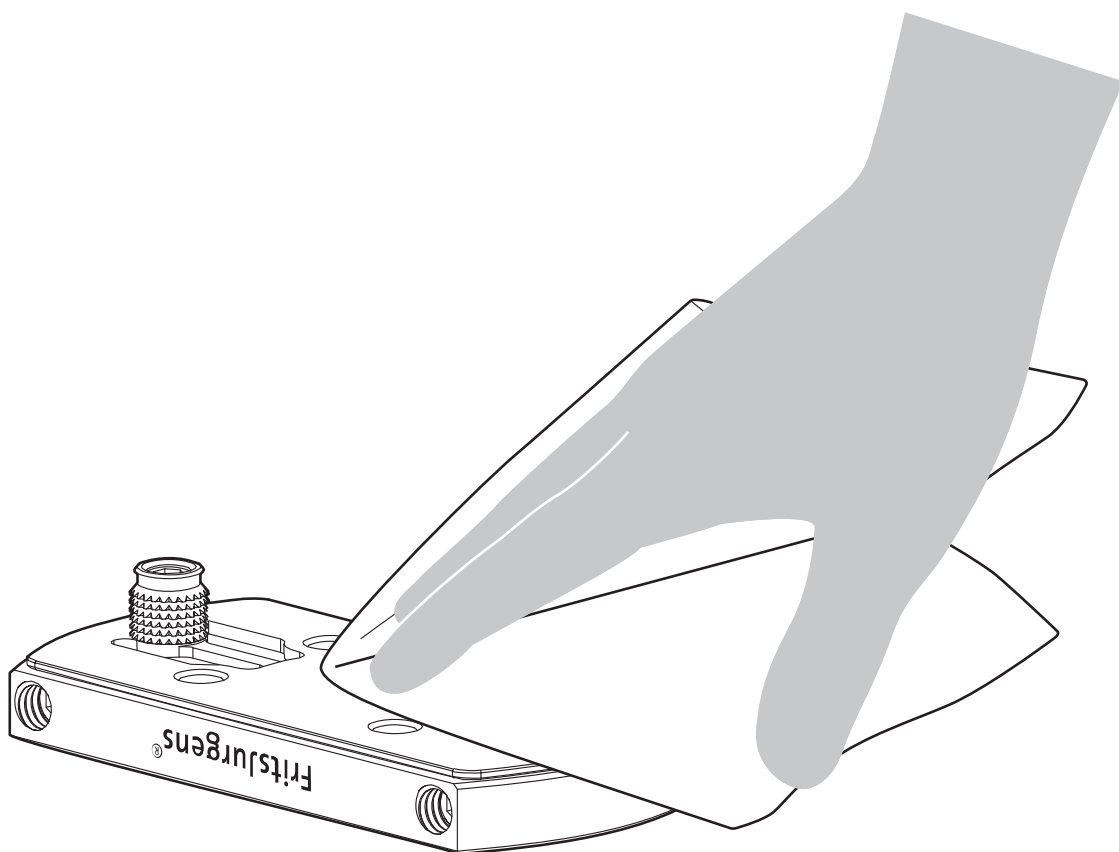
30 mm (13/16")



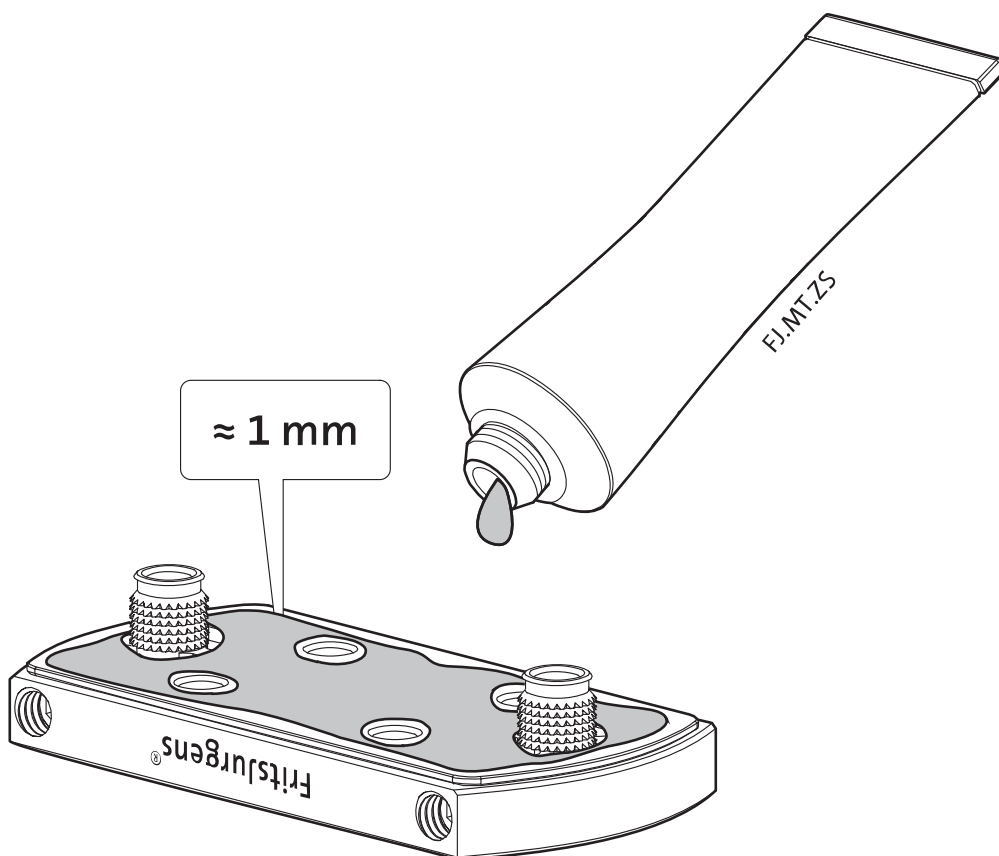


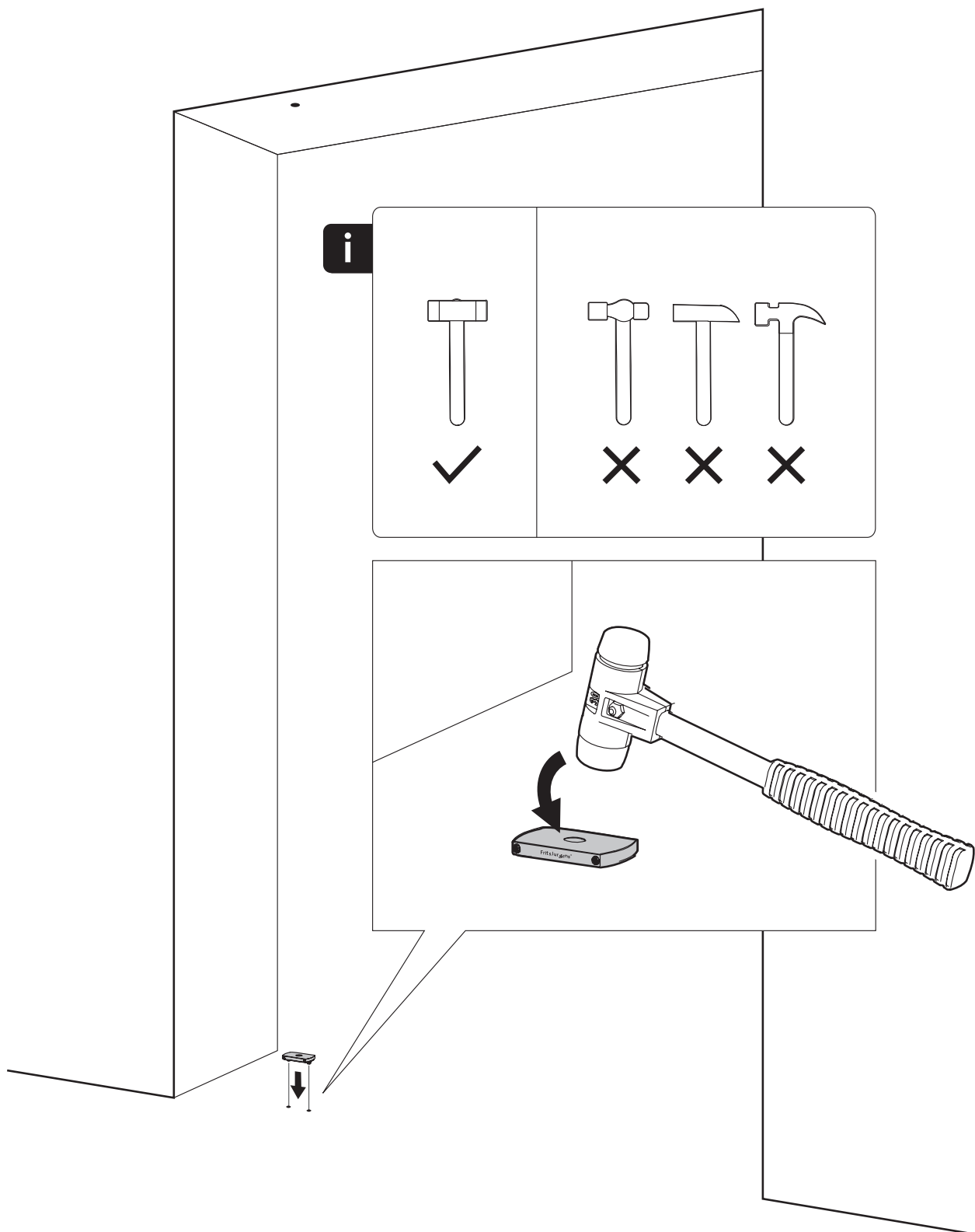
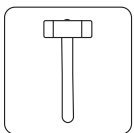


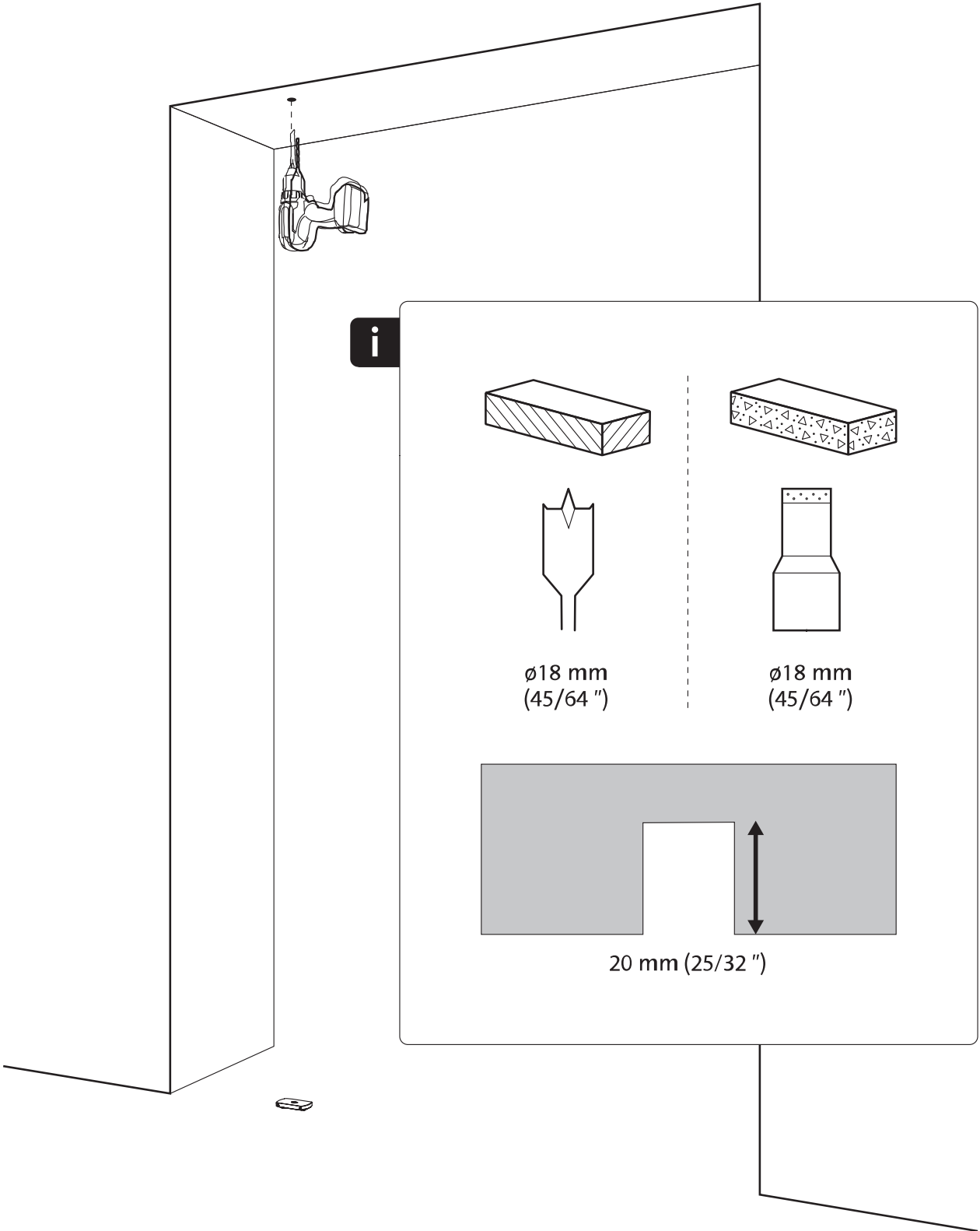
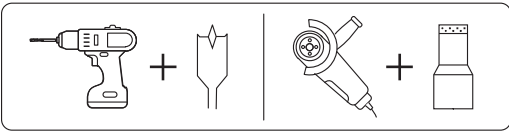
1



2

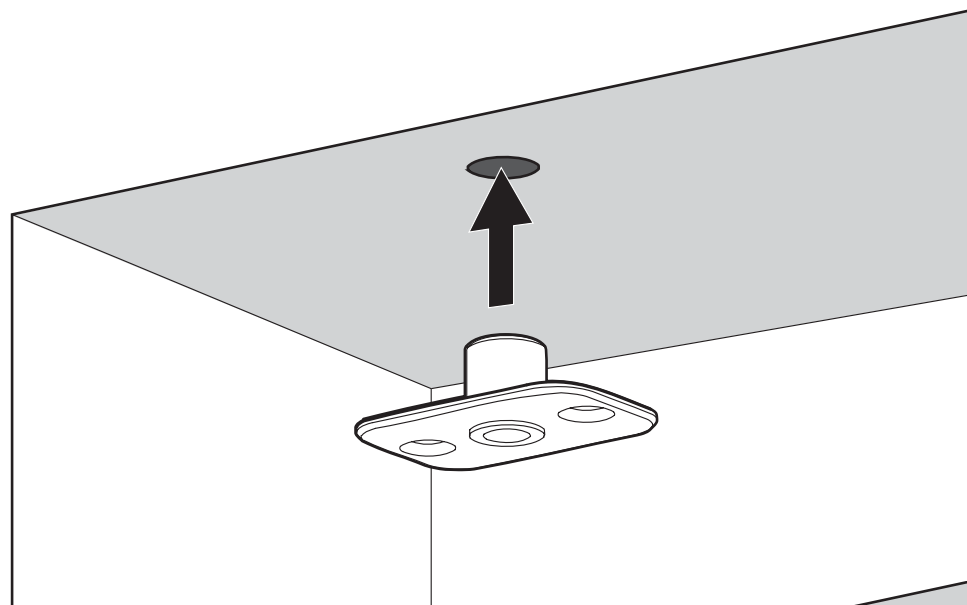




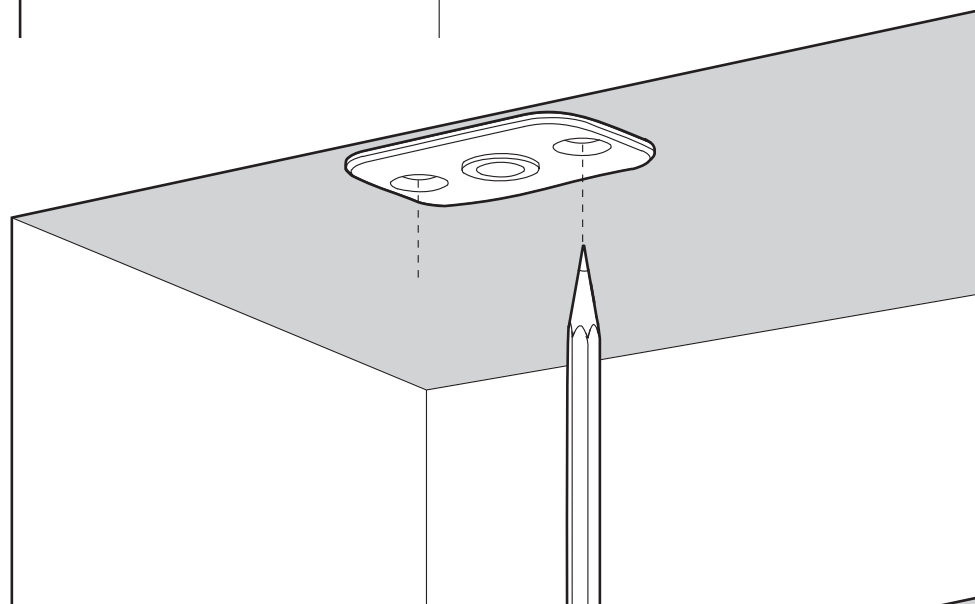




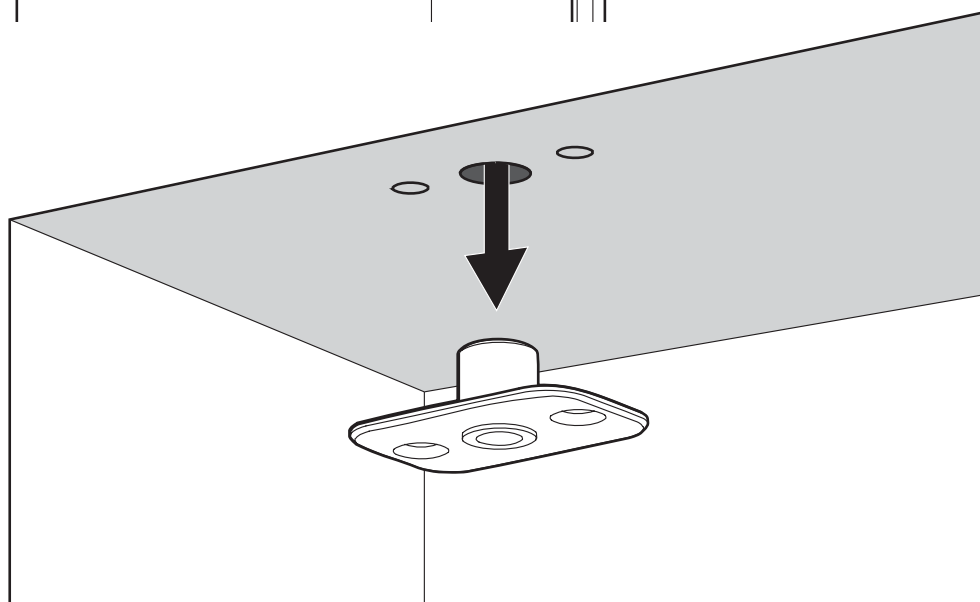
1



2

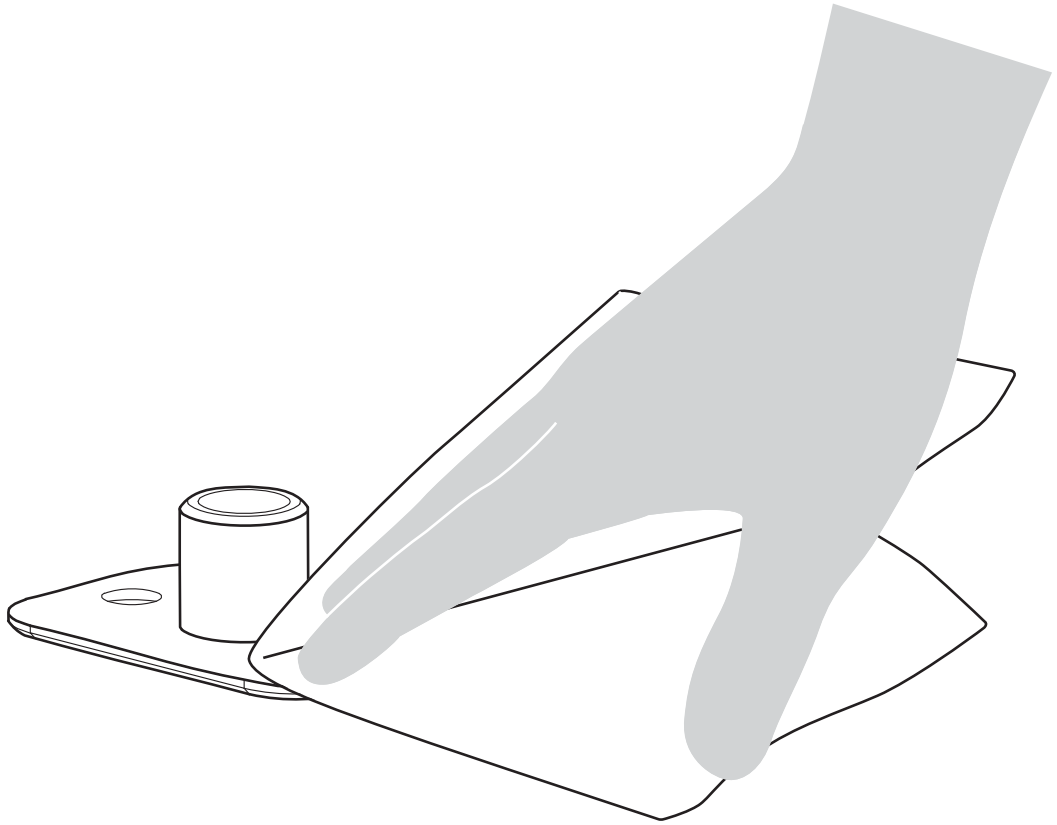


3

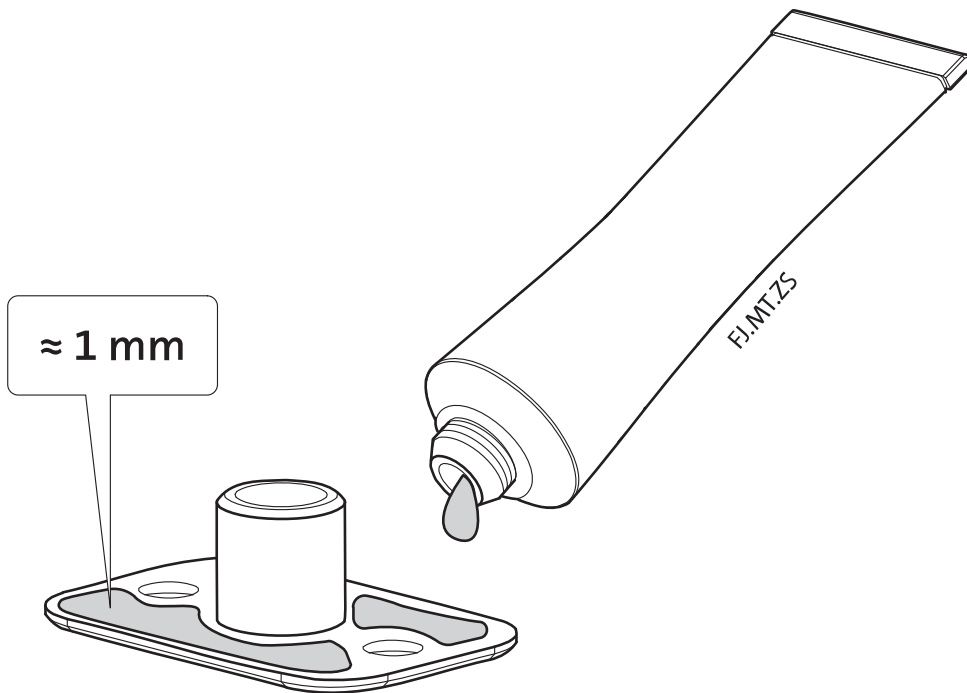


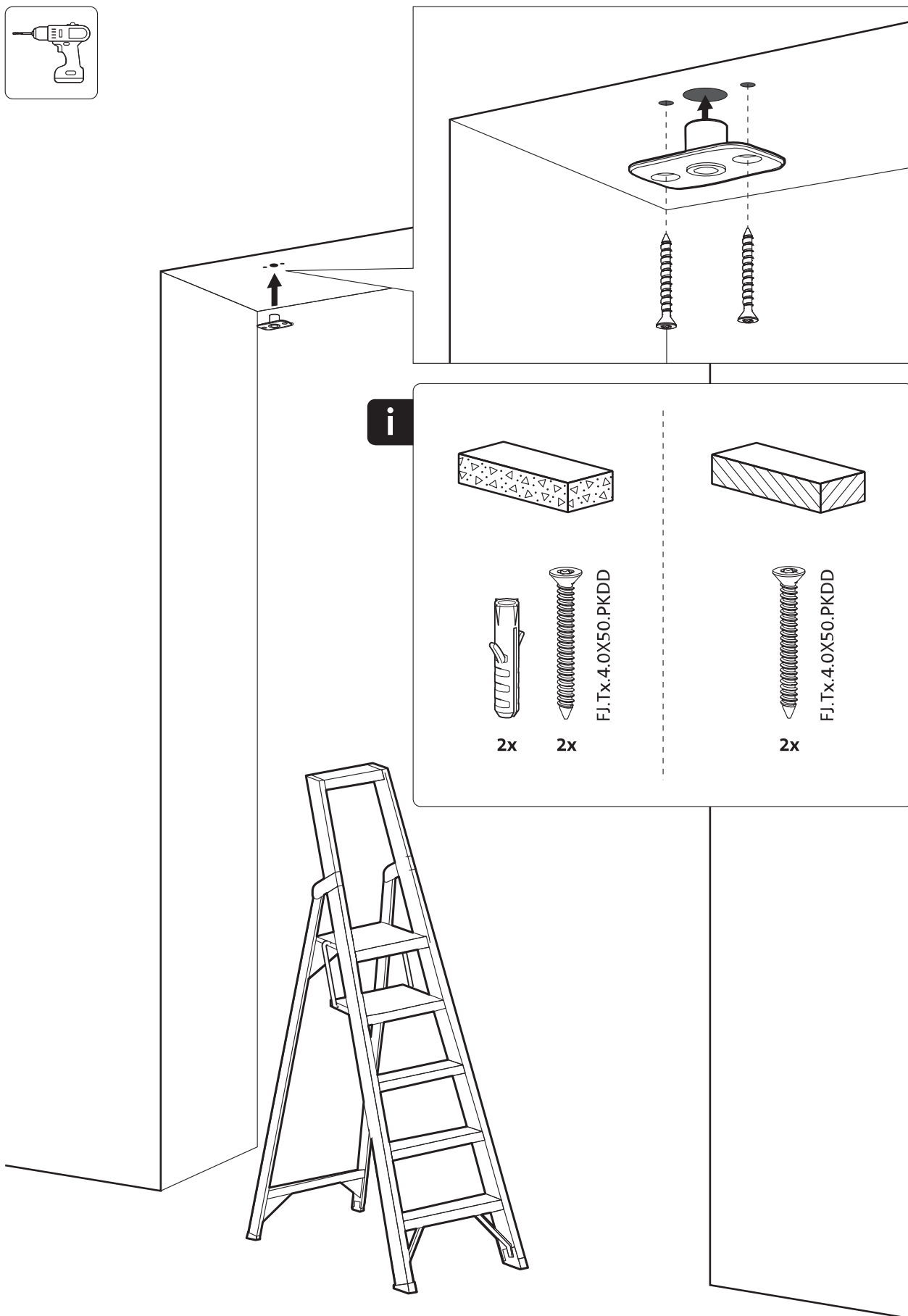
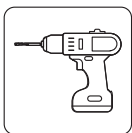


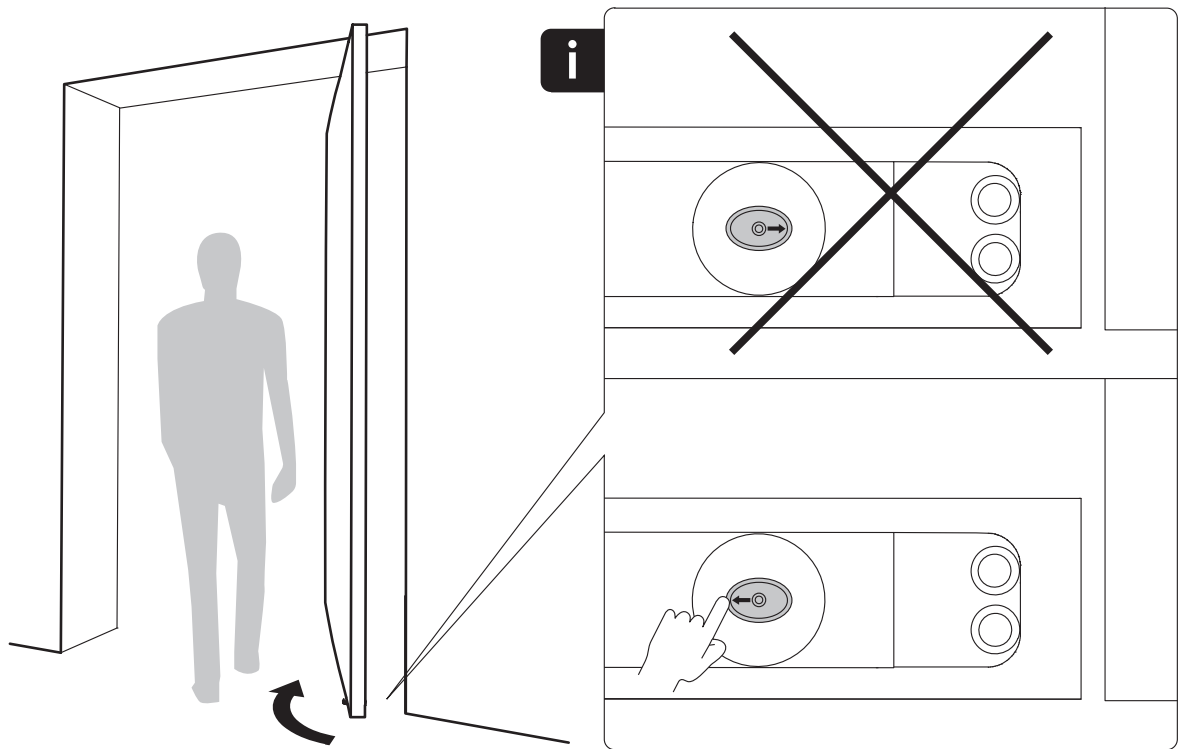
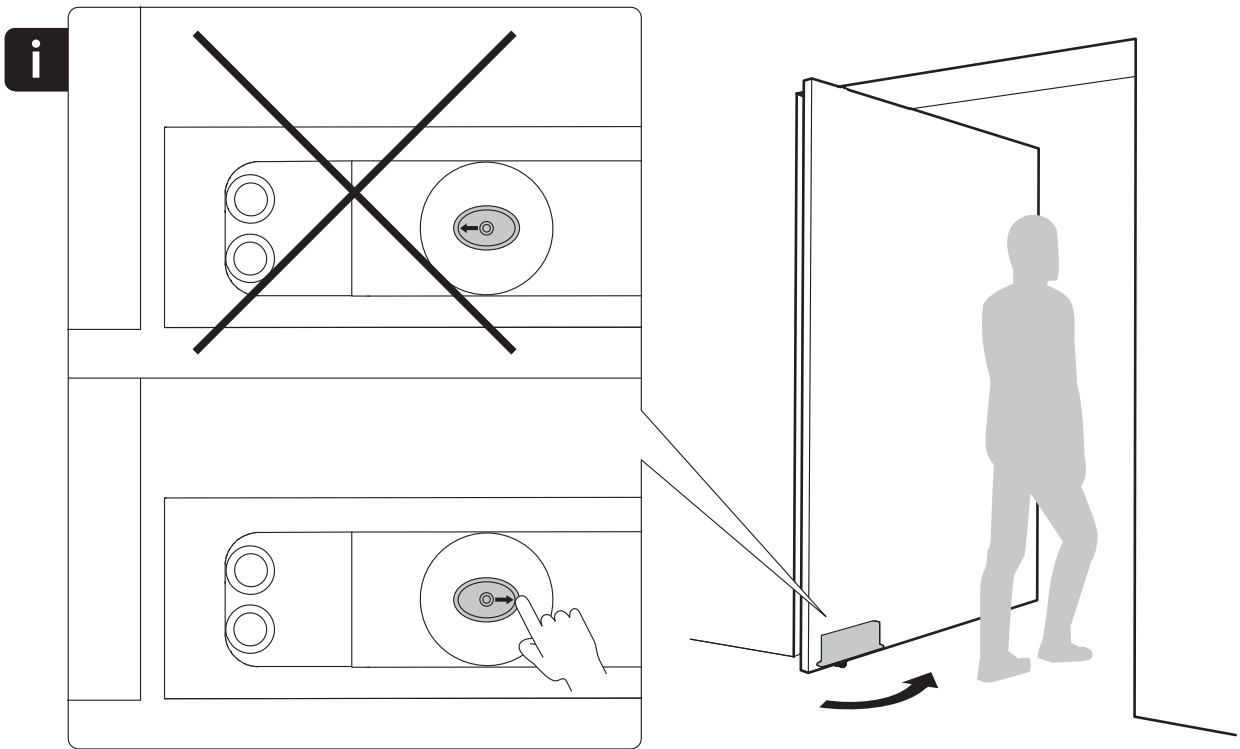
1

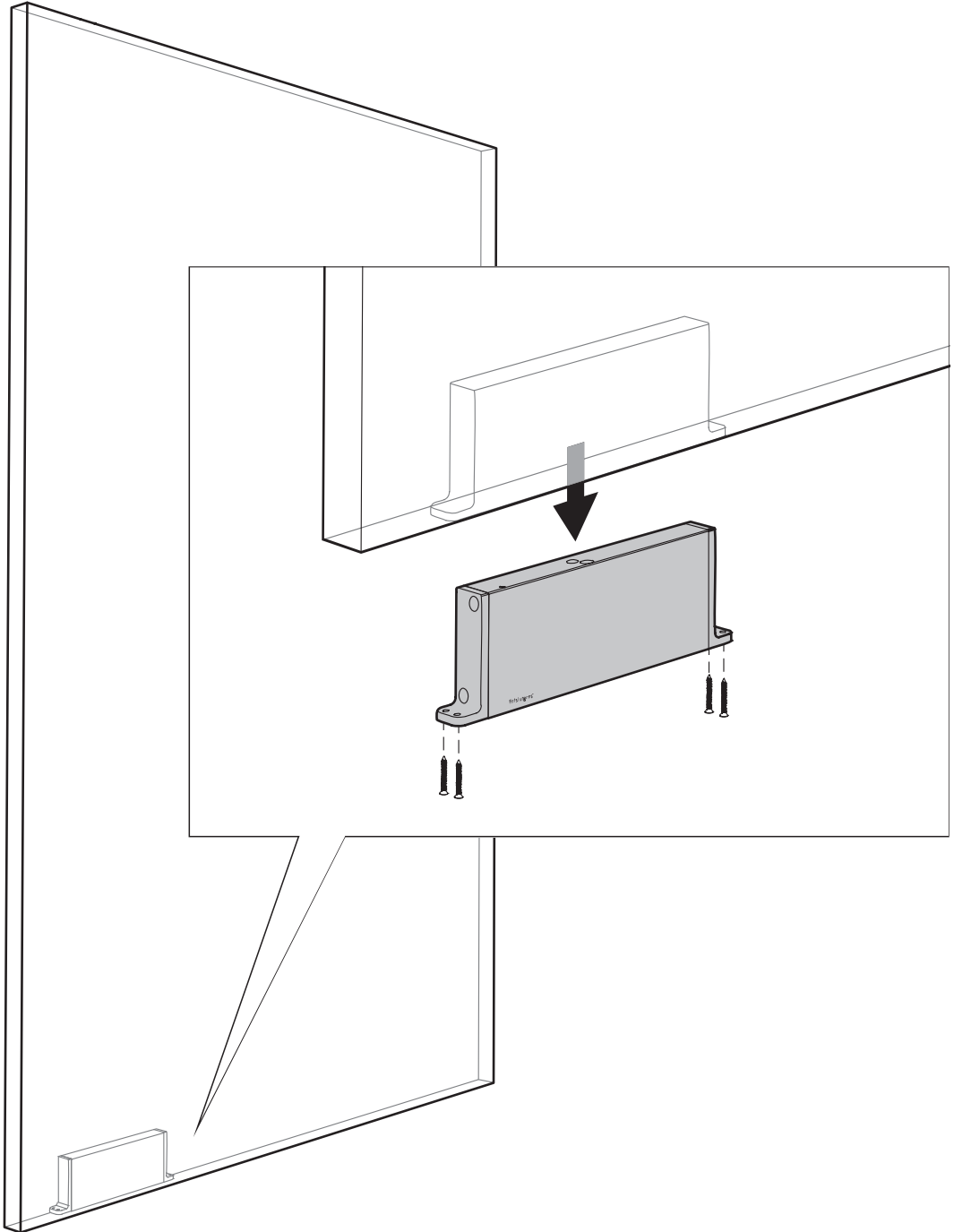


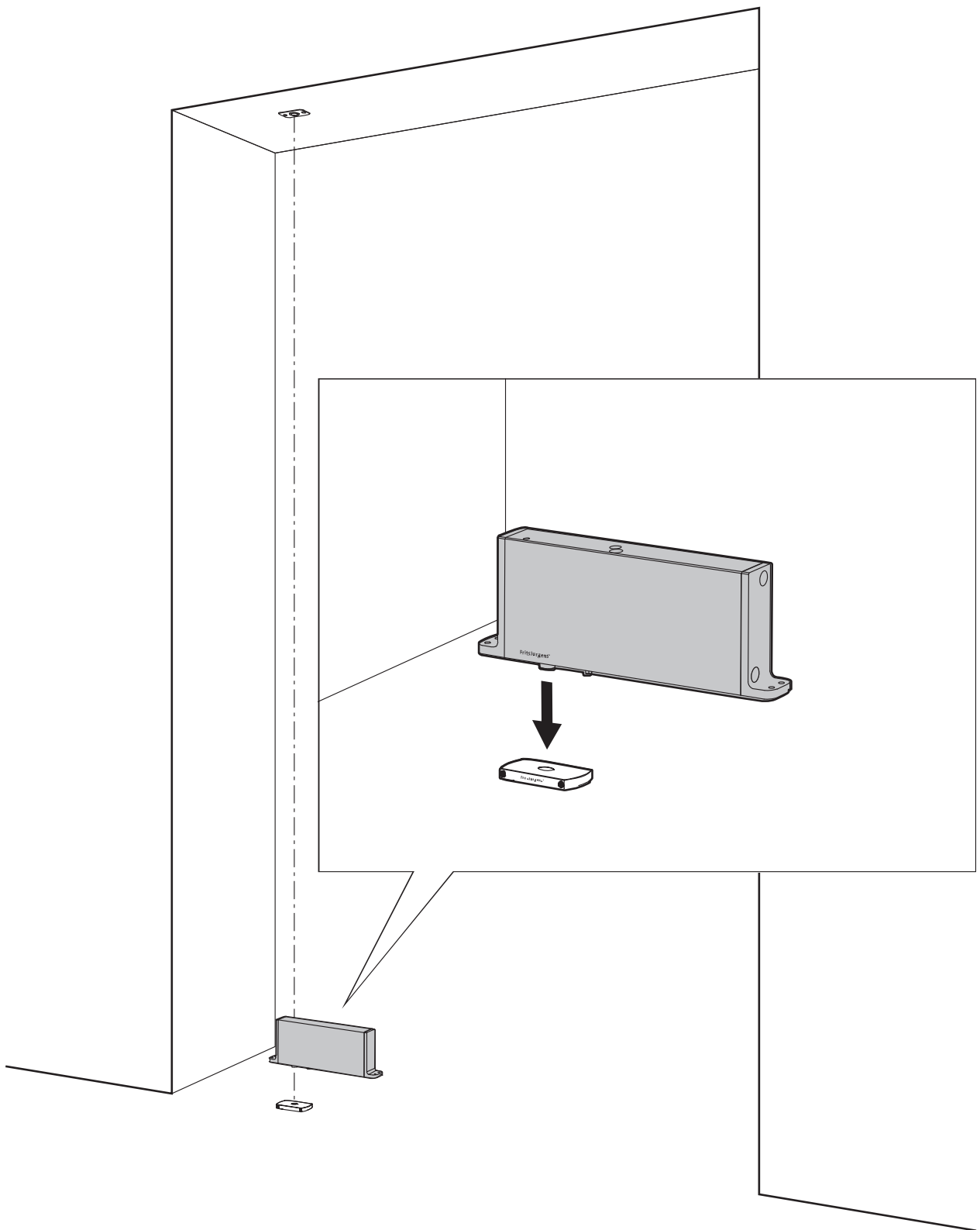
2

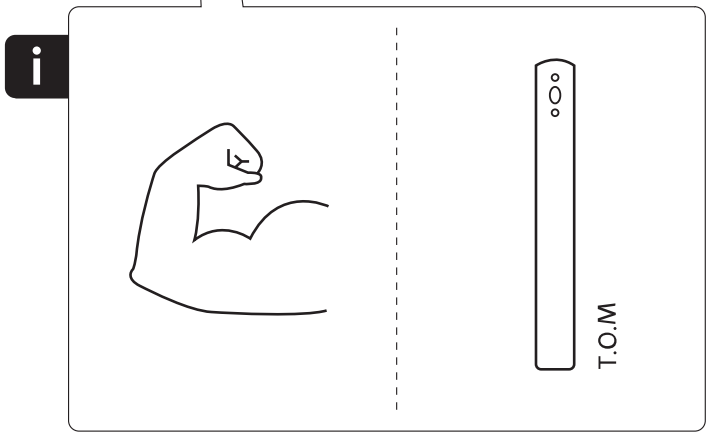
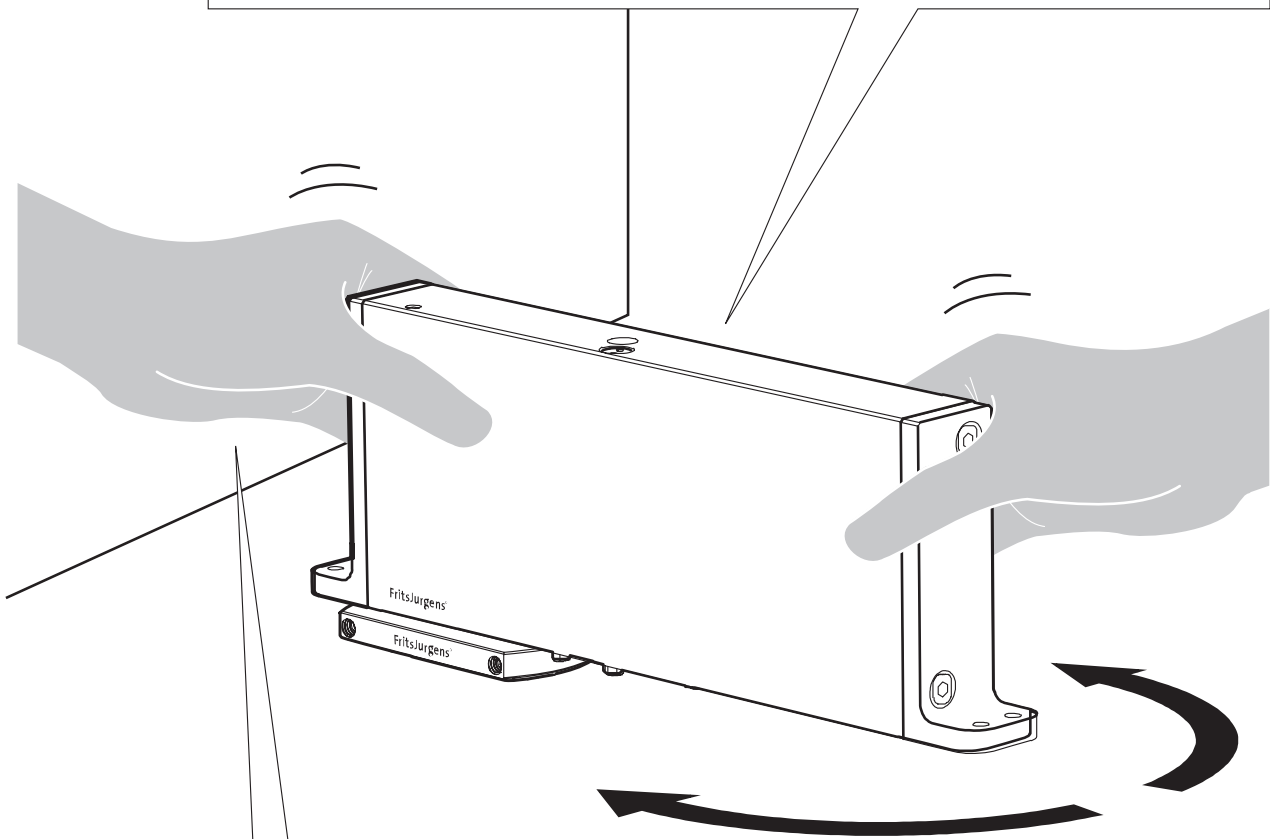
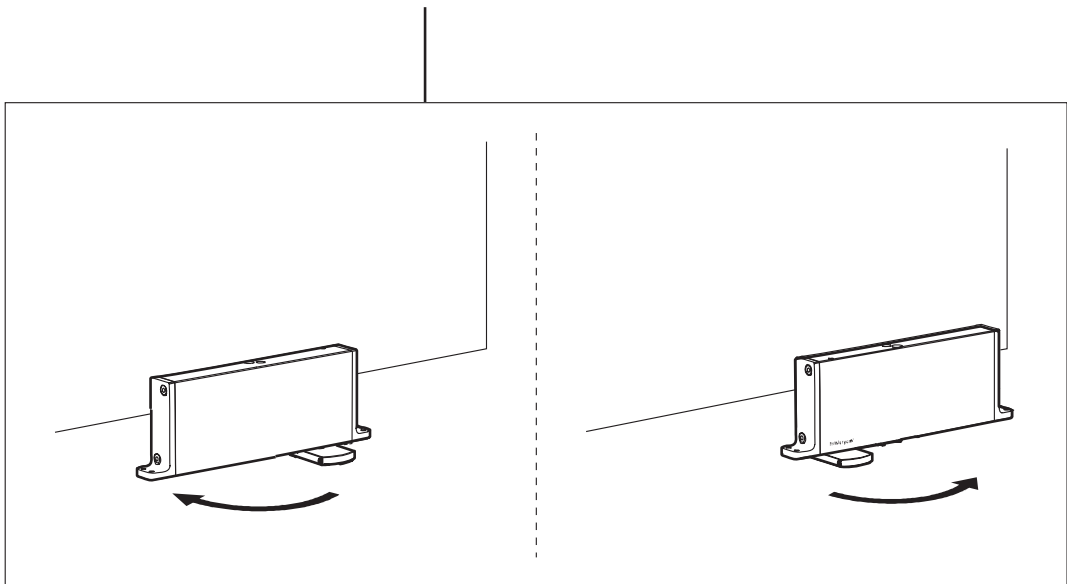


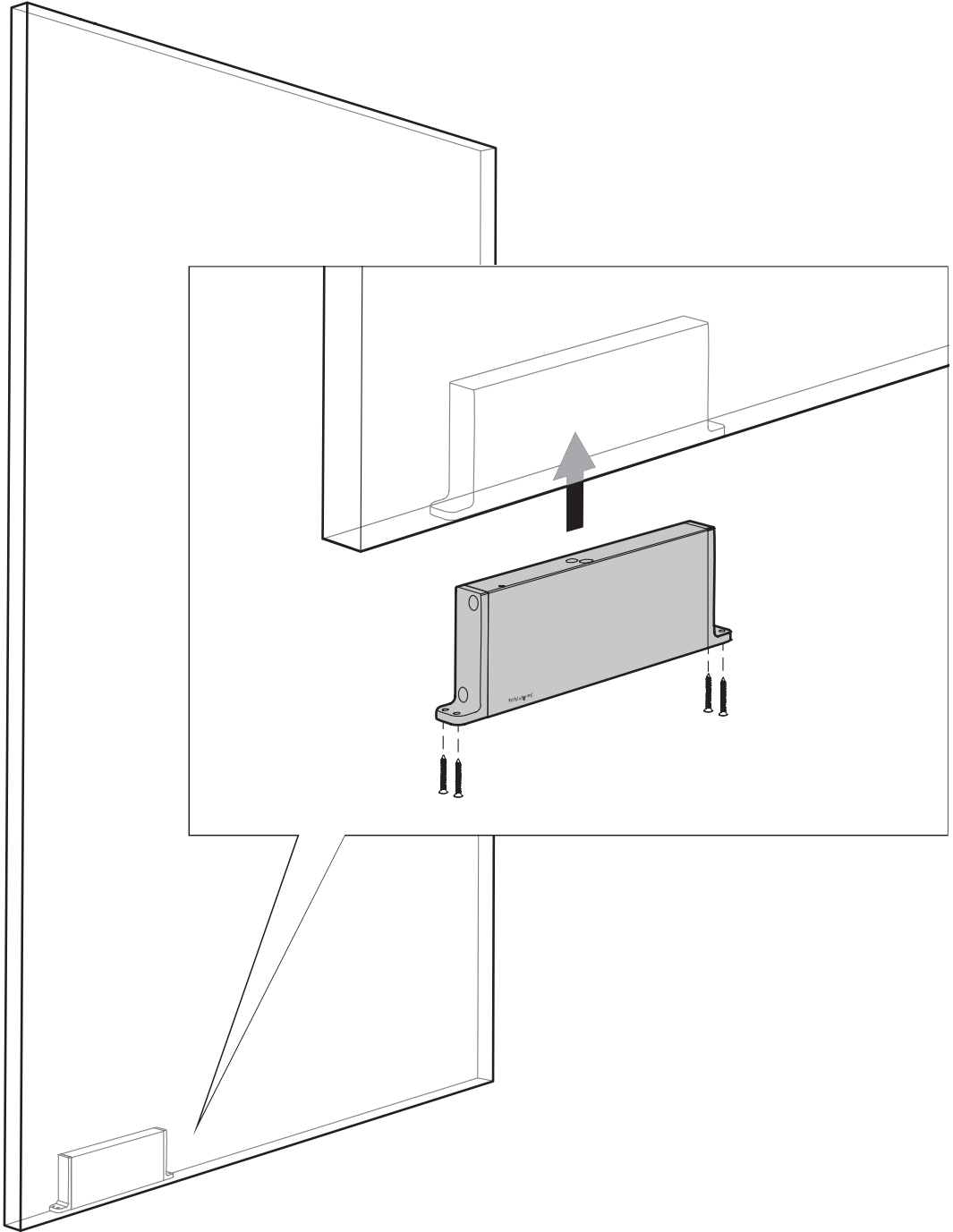


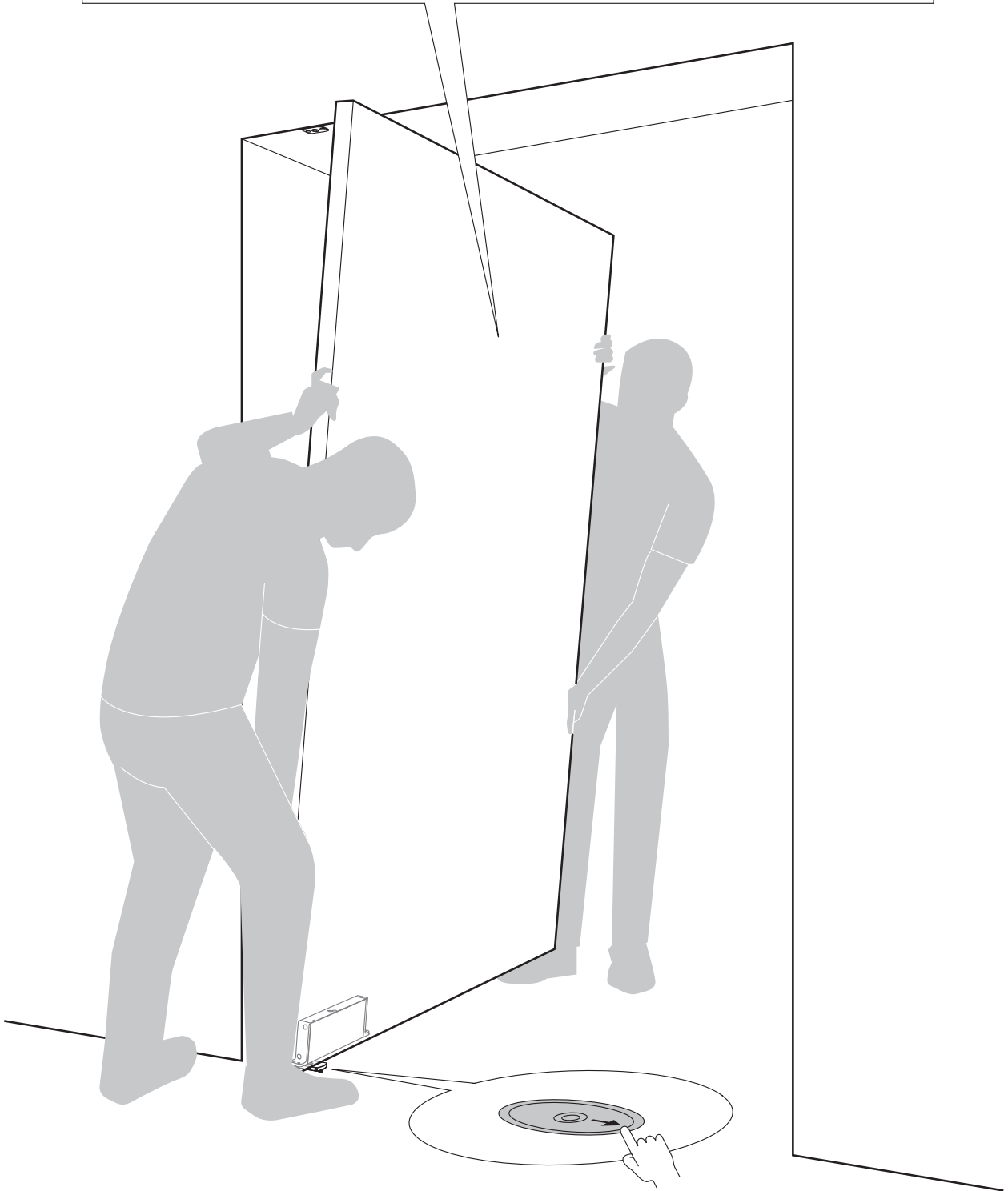
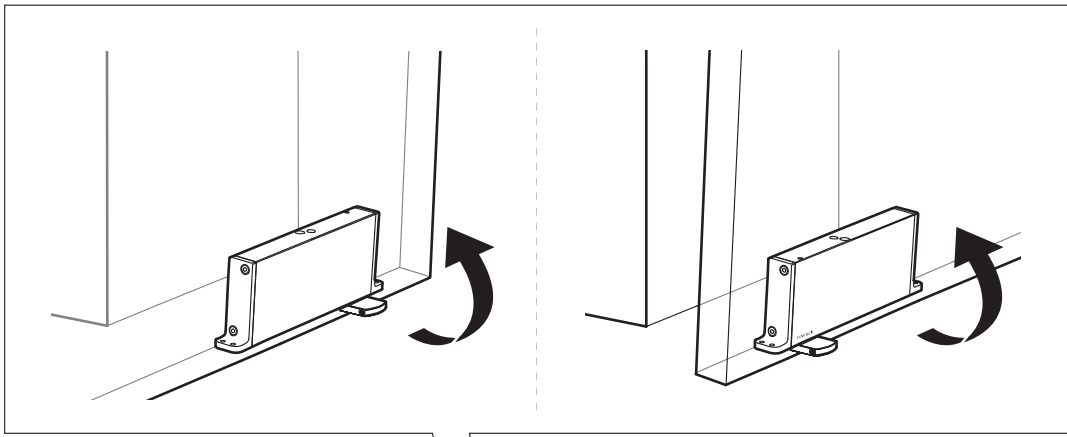


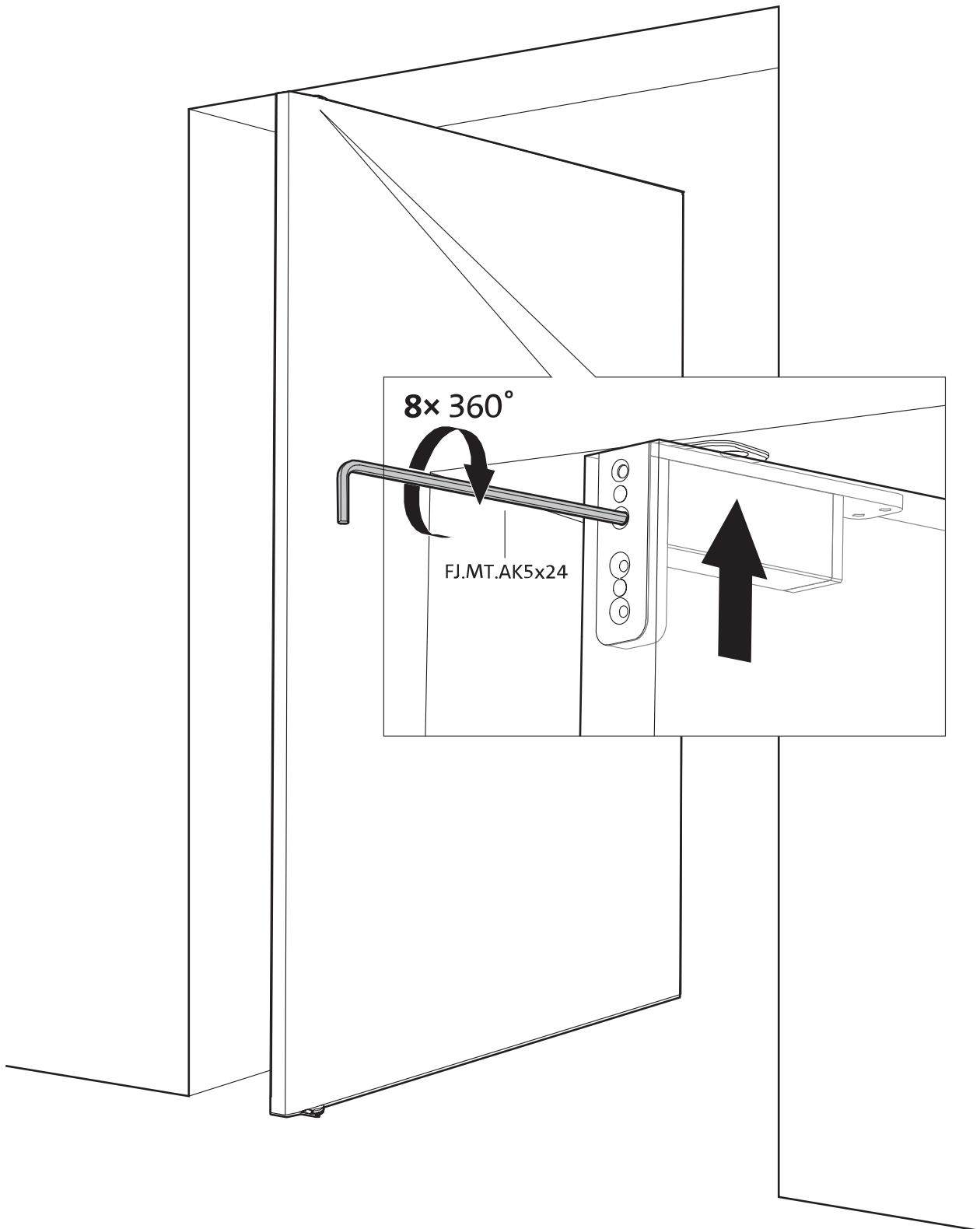
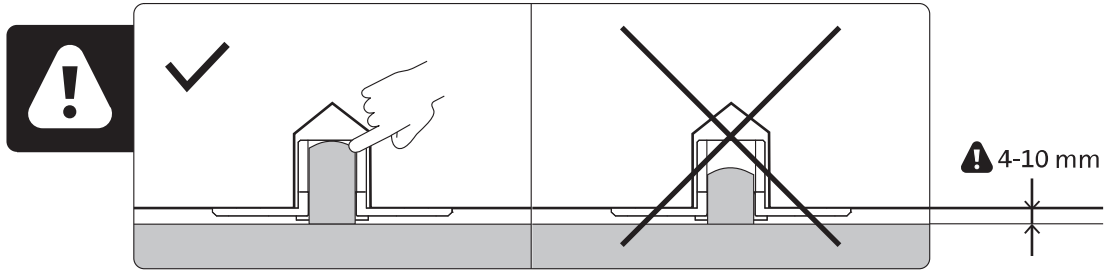


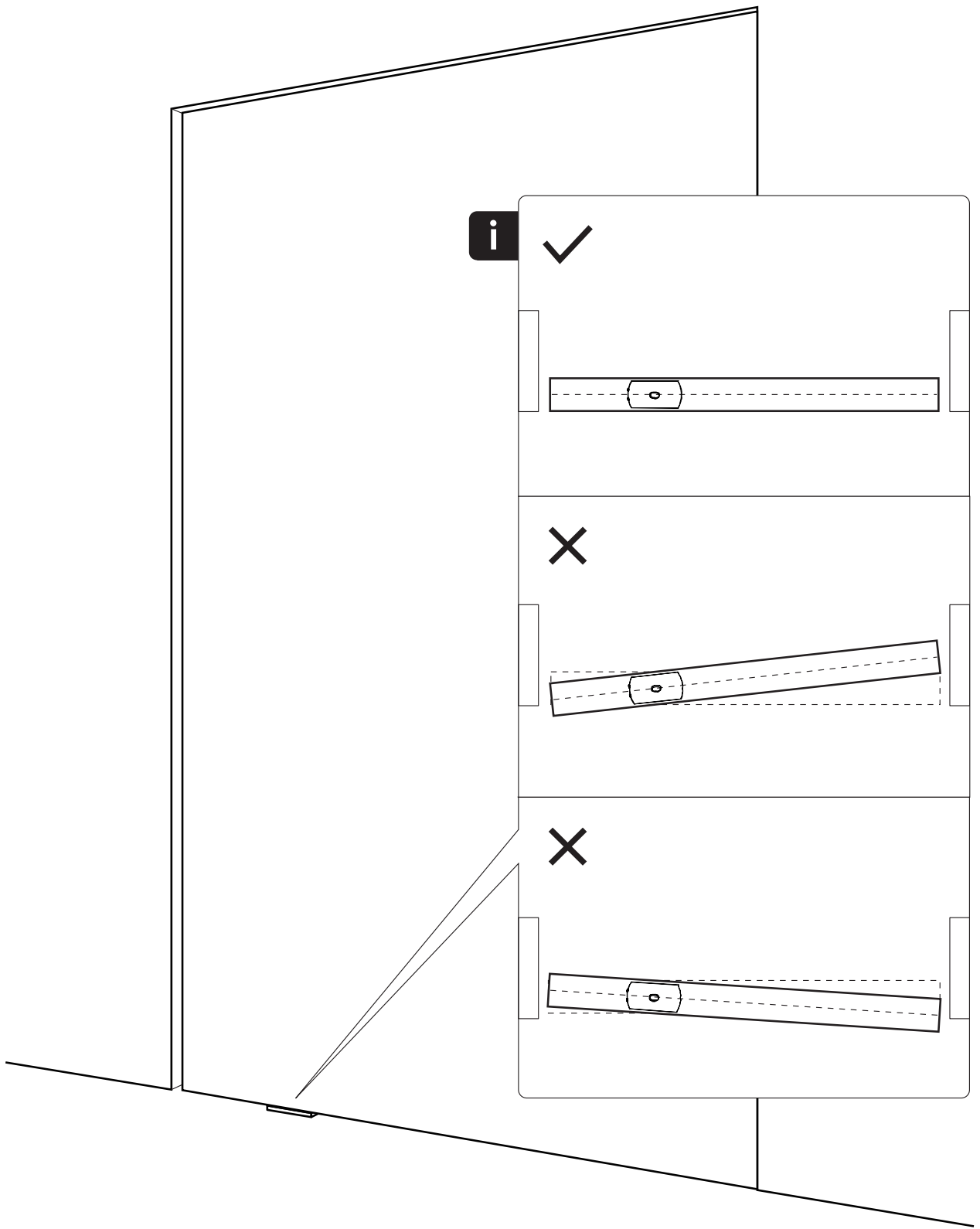


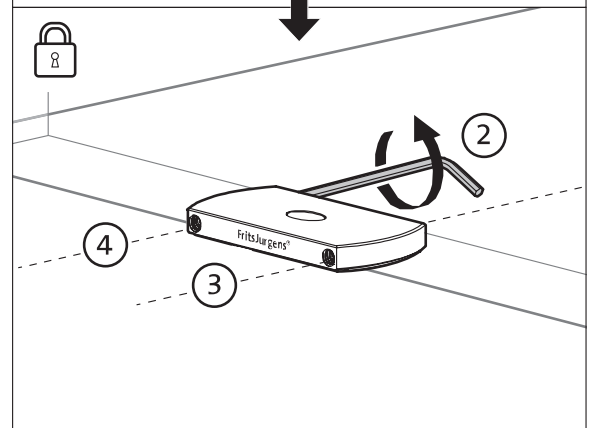
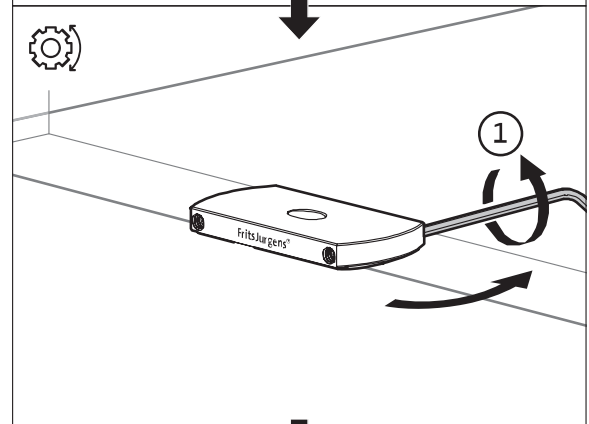
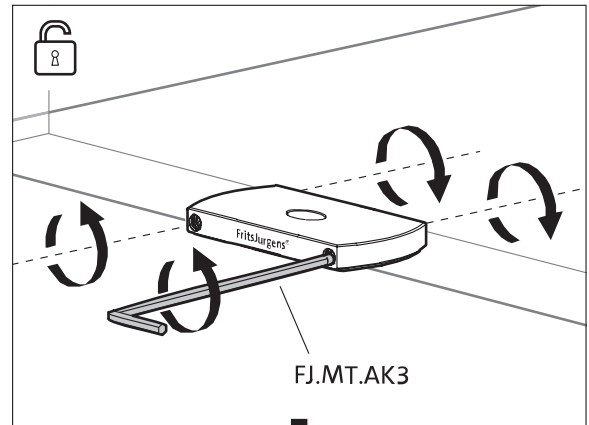
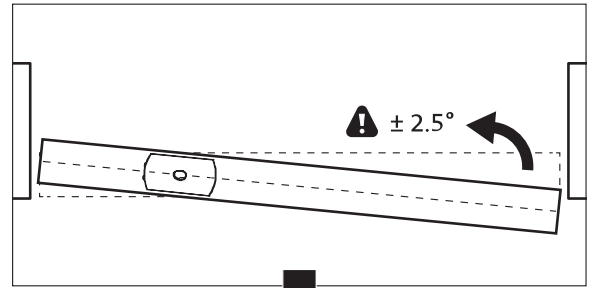
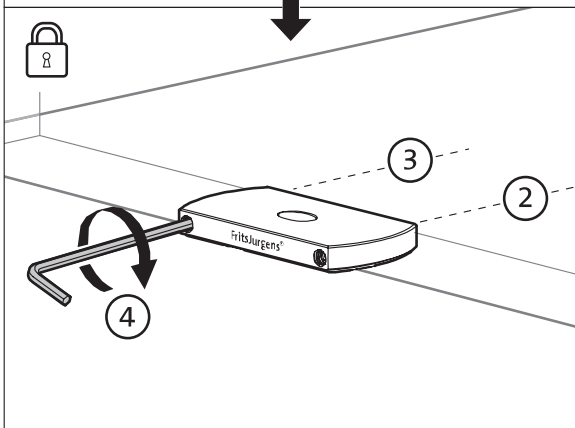
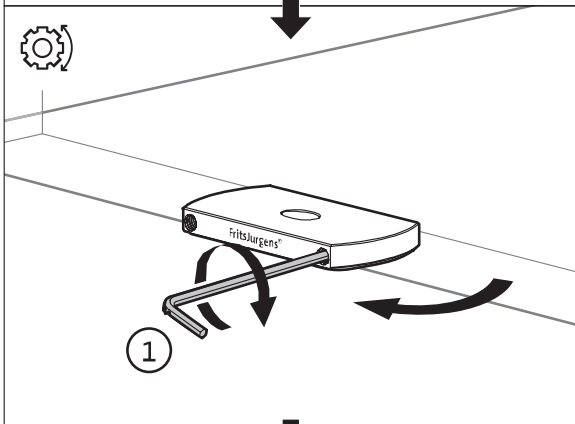
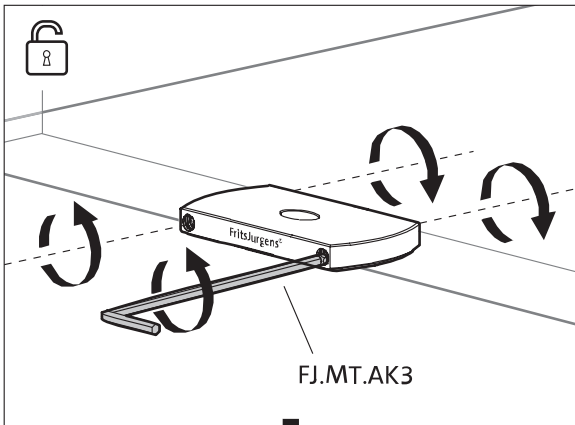
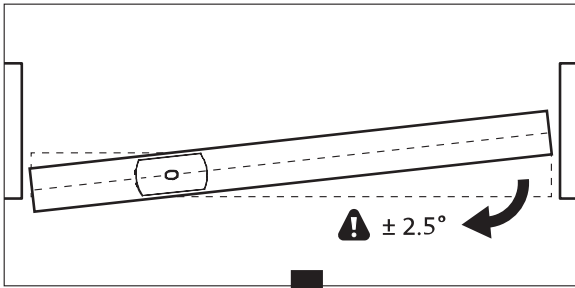


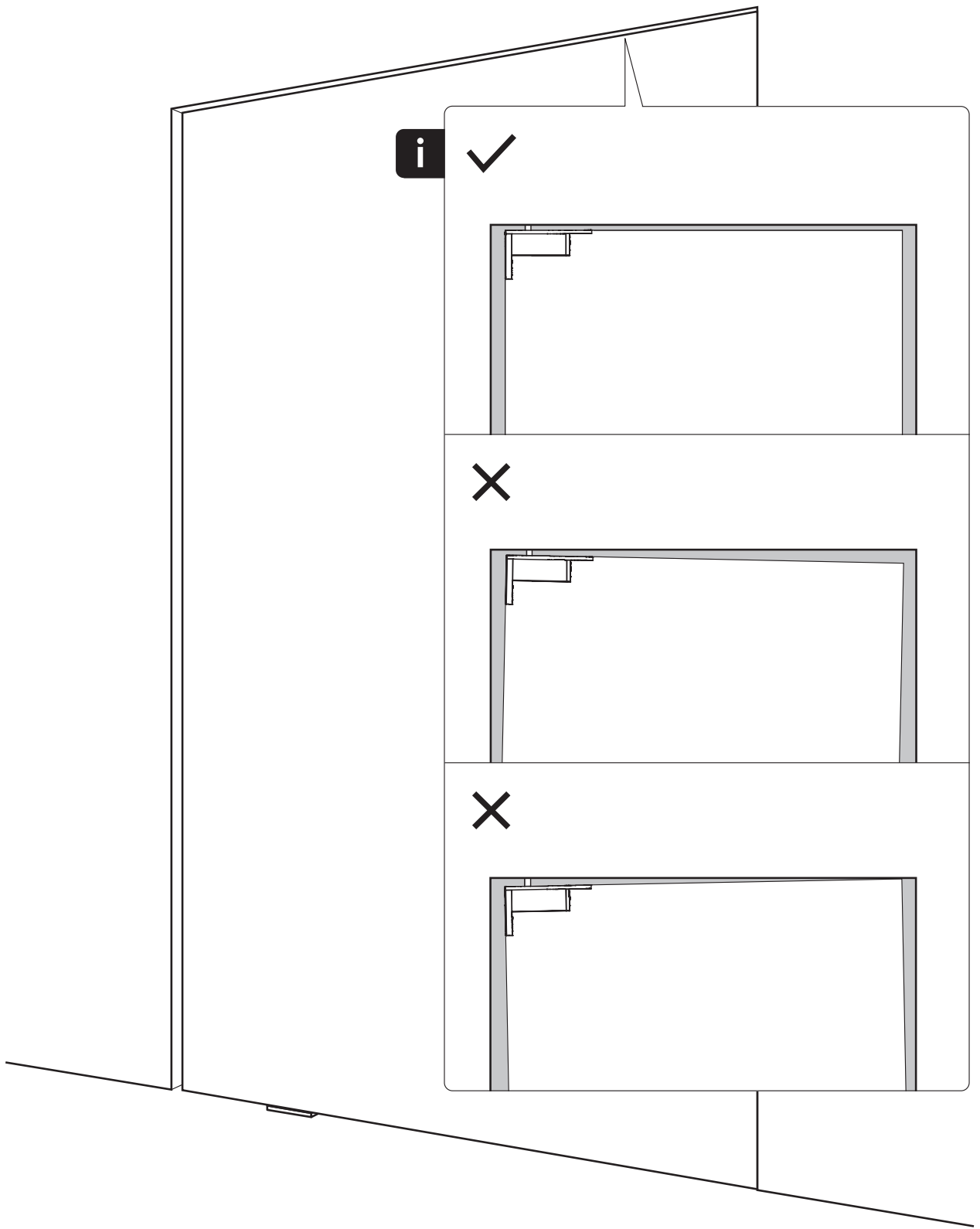


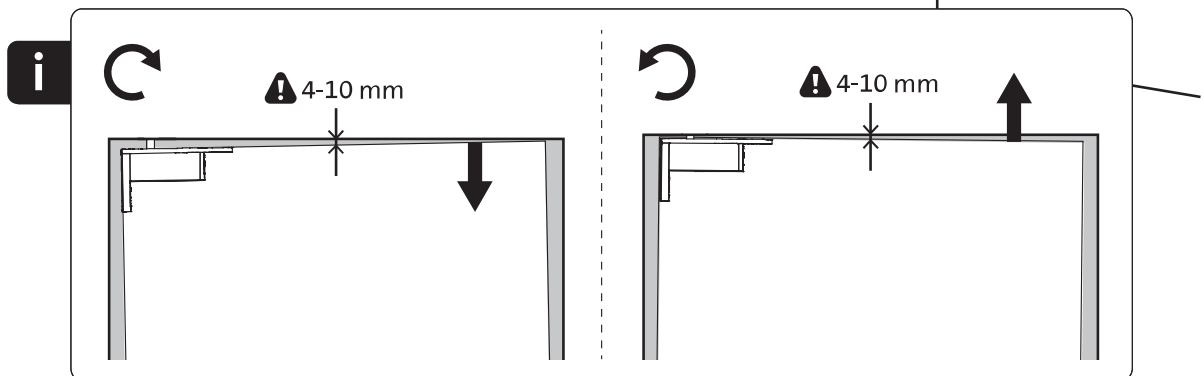
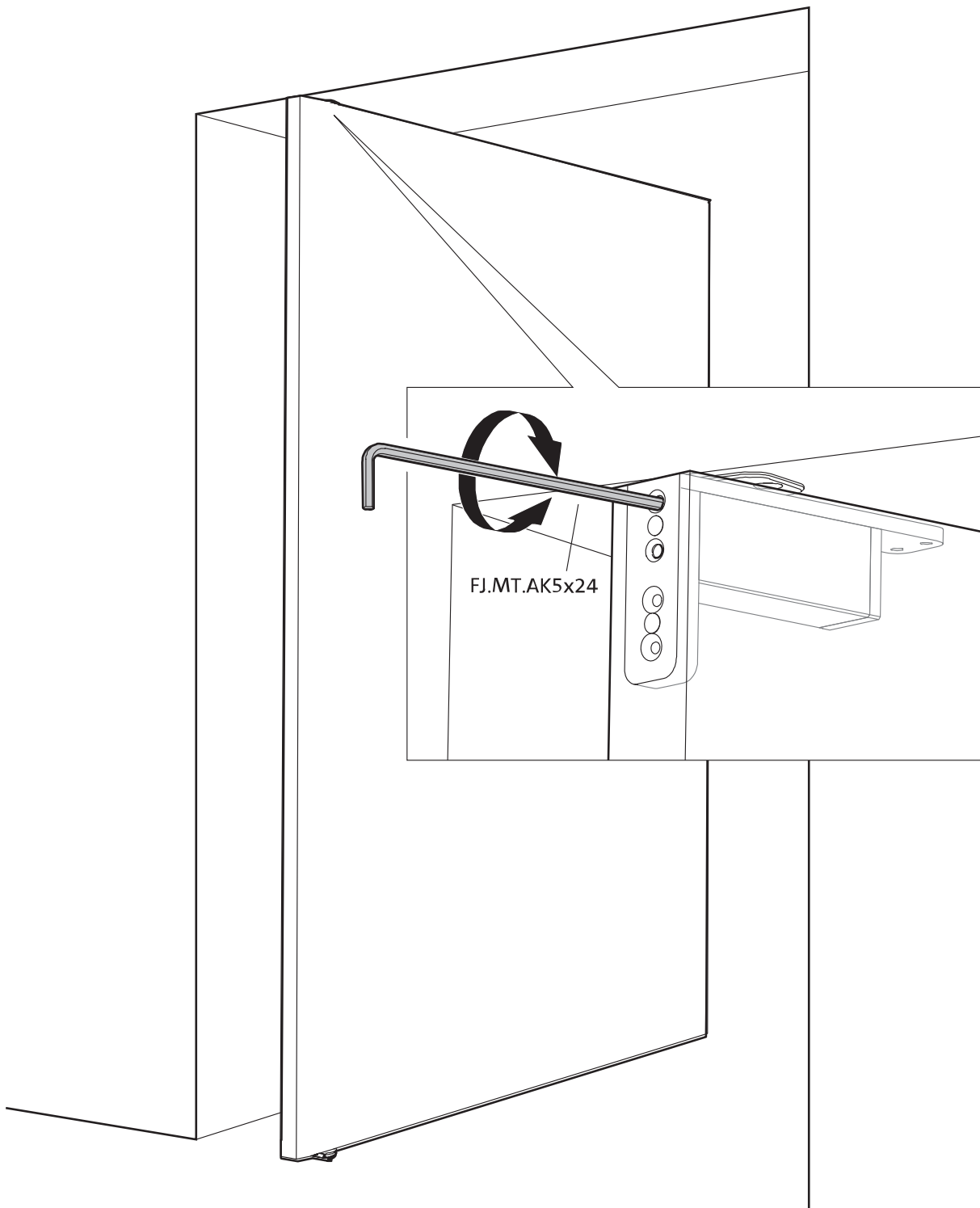


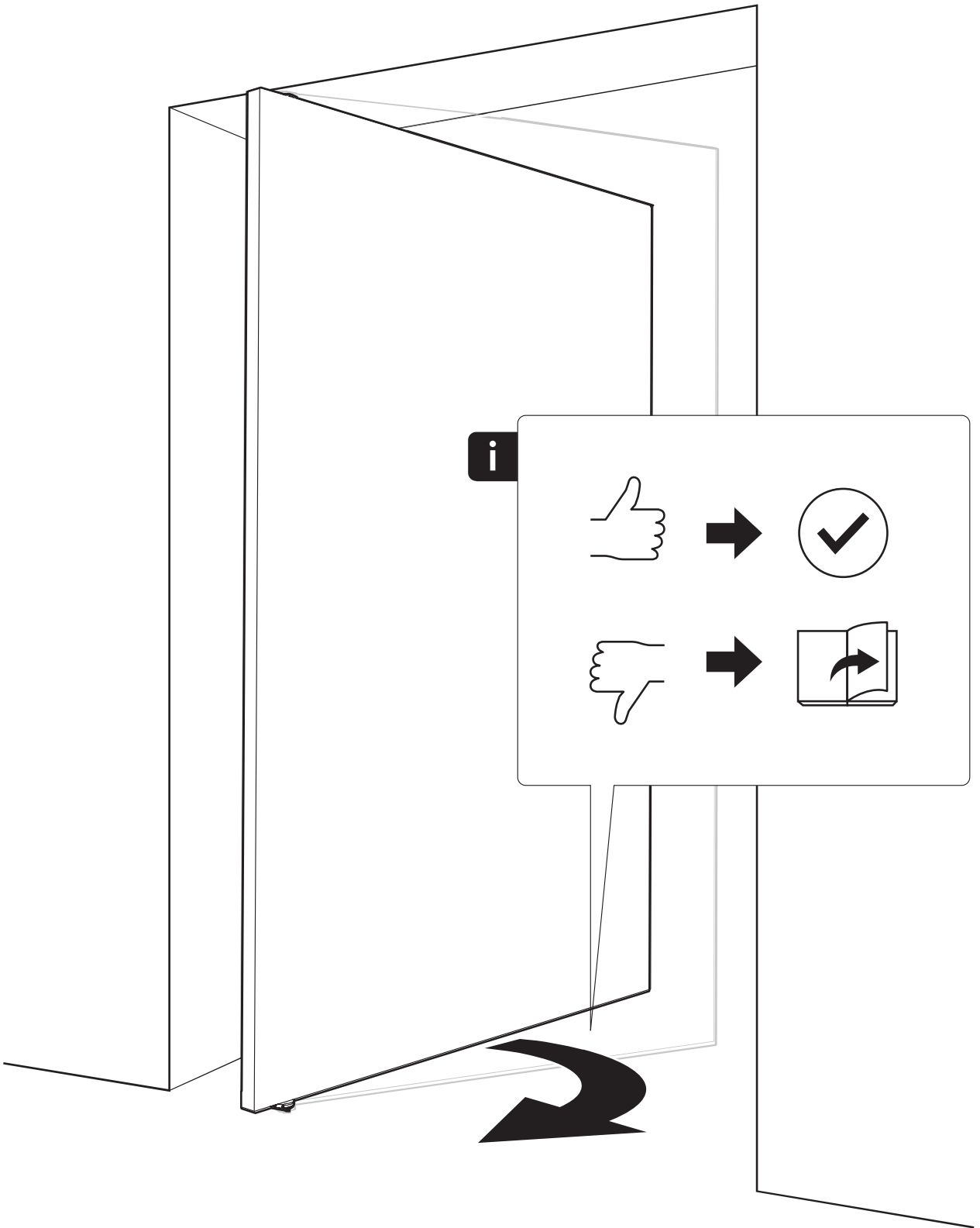






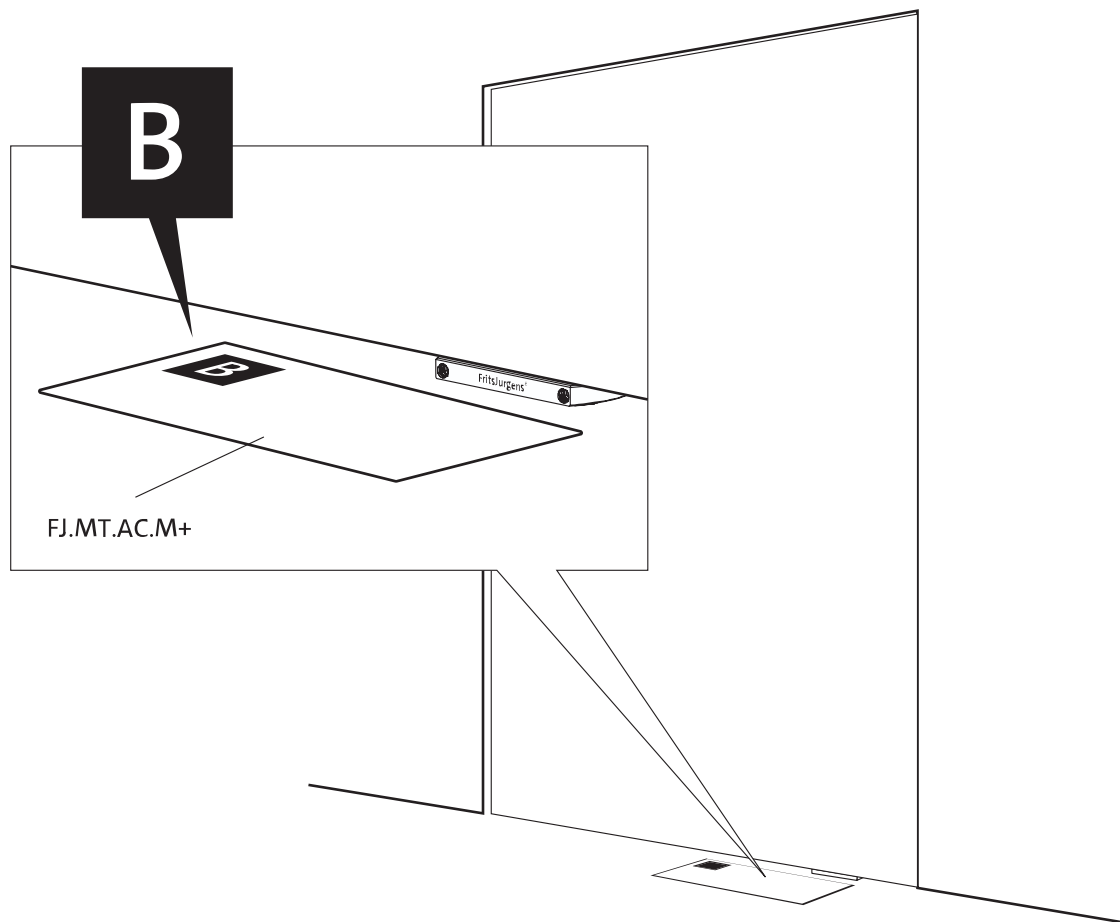
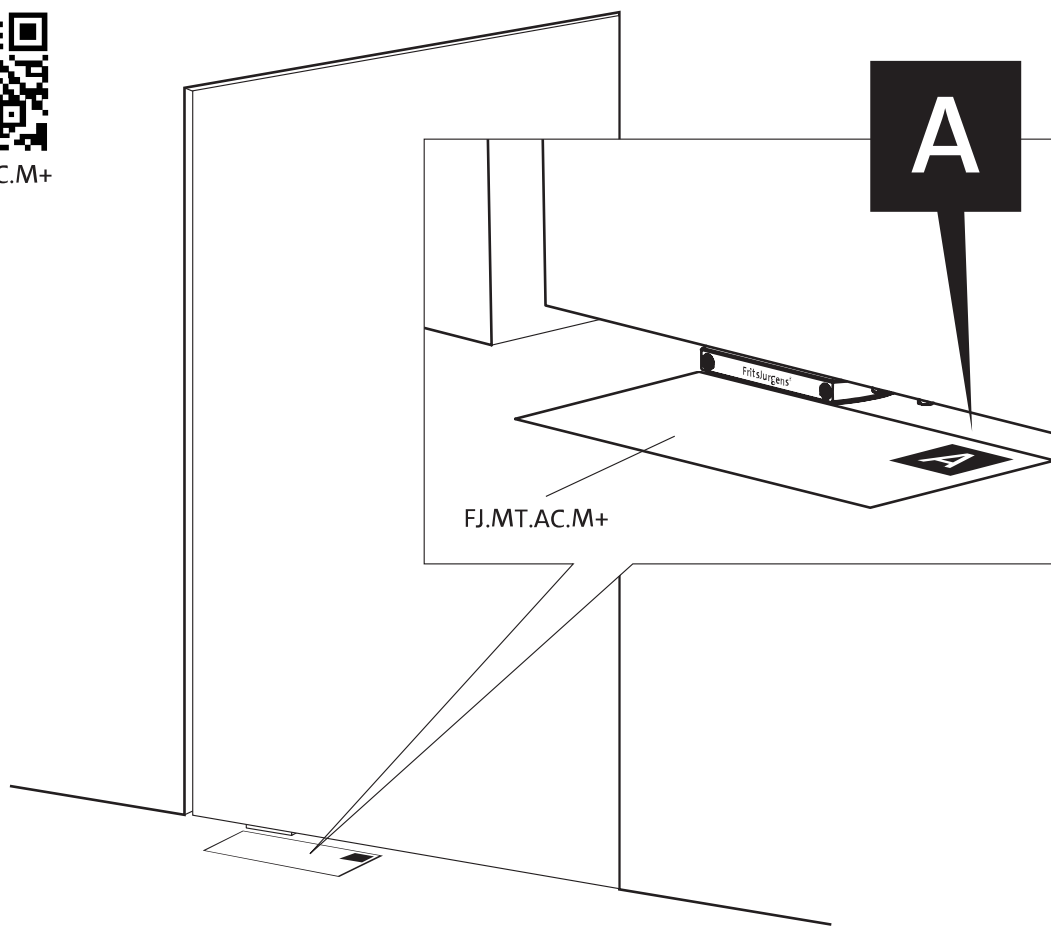


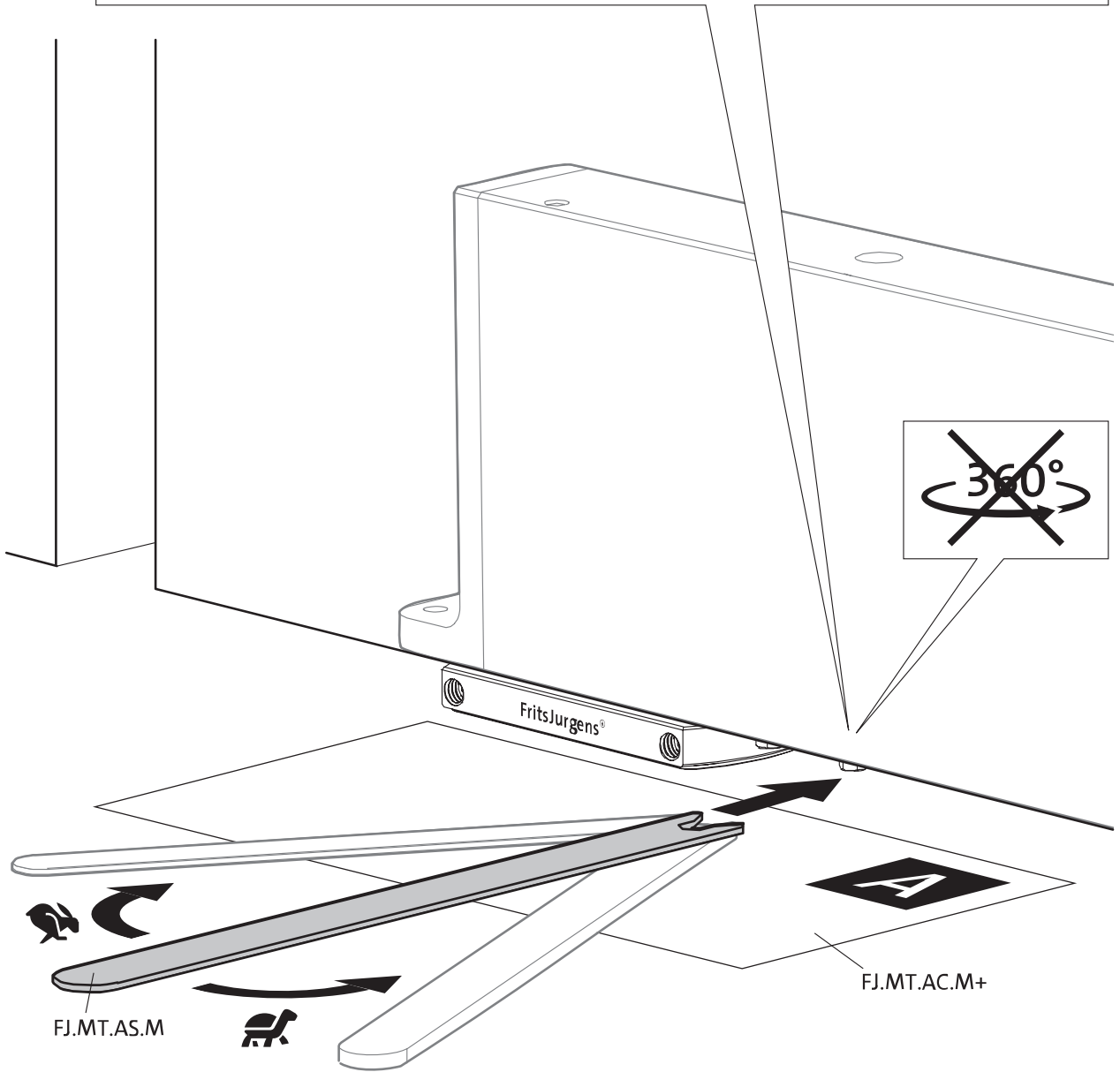
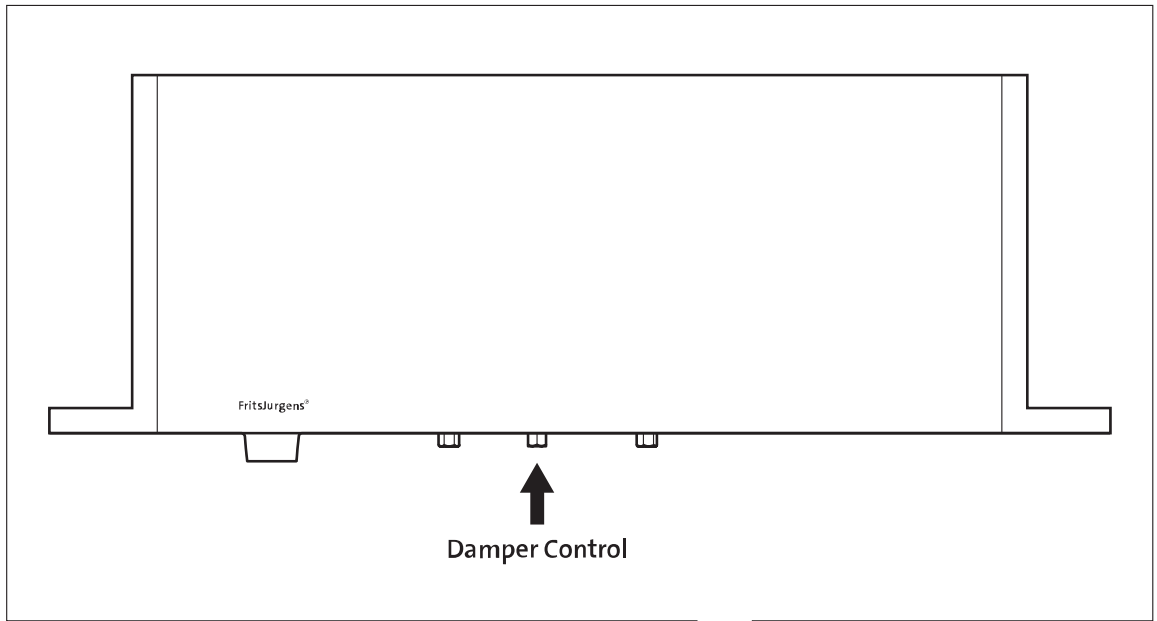


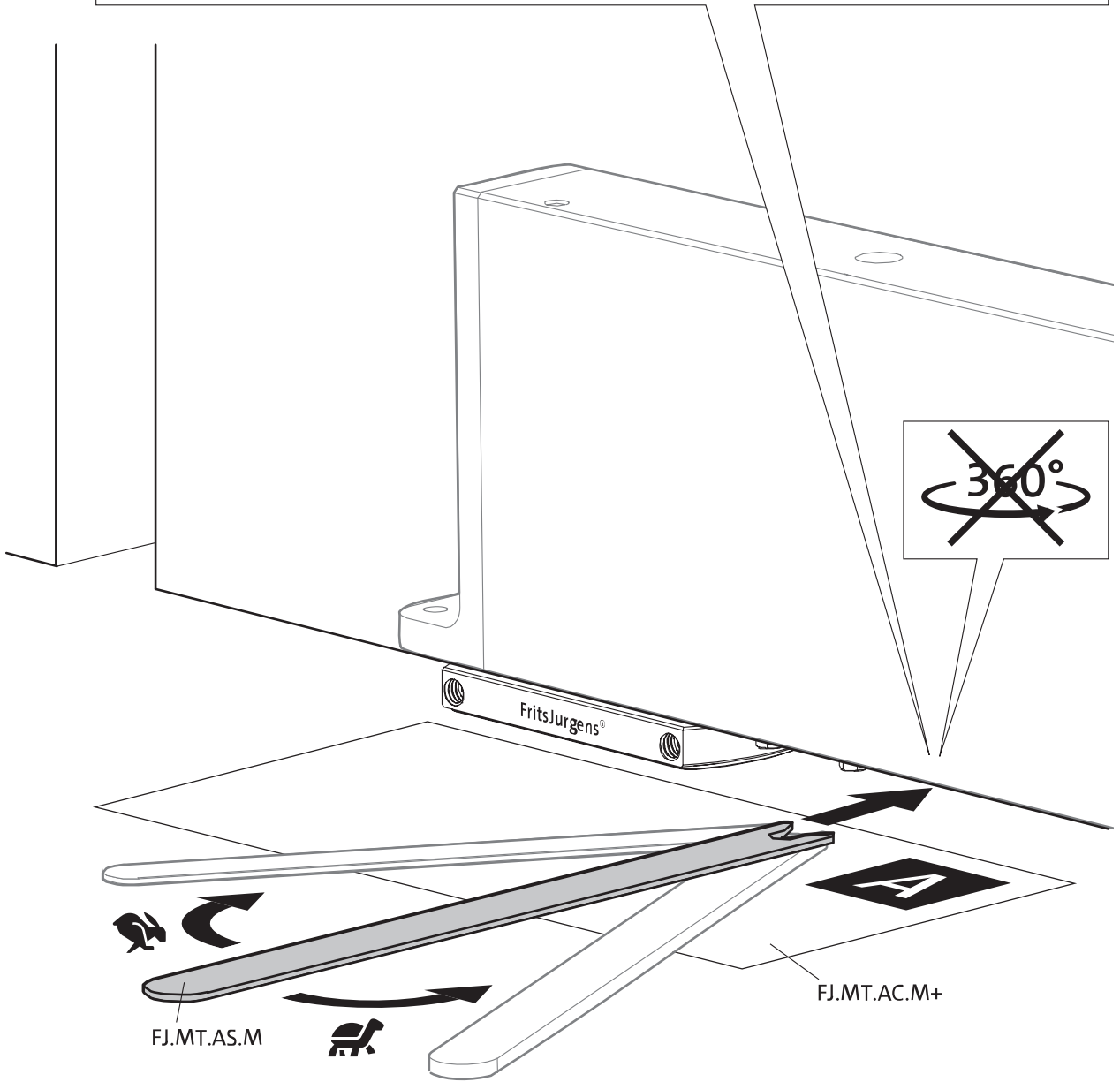
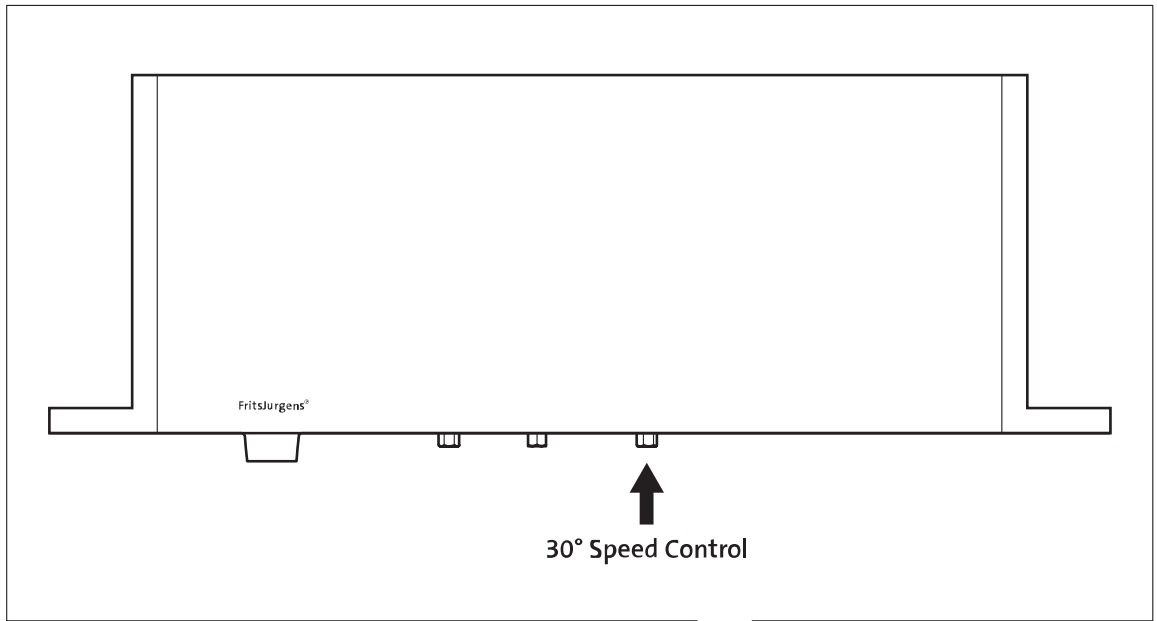


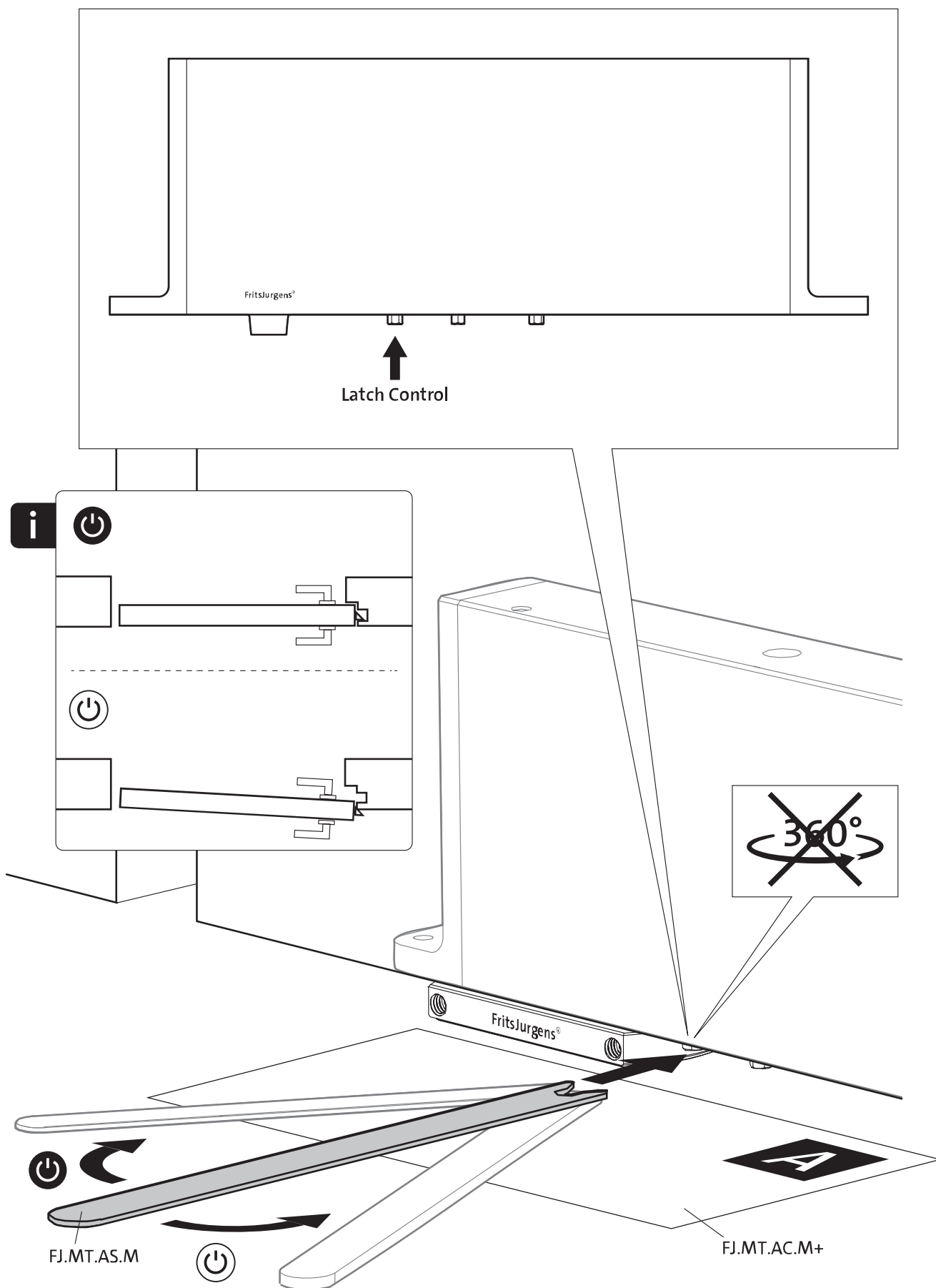


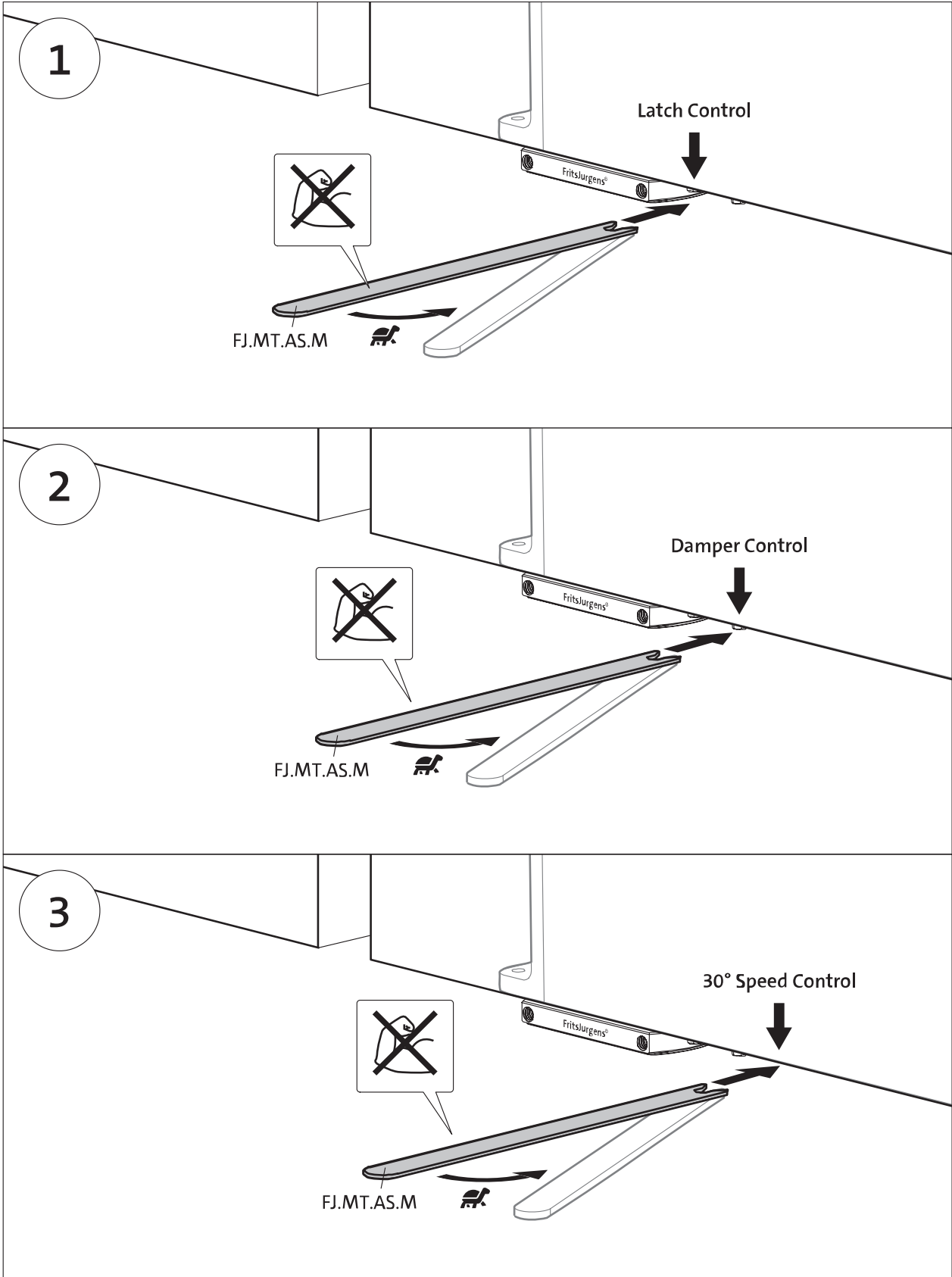
FJ.MT.AC.M+

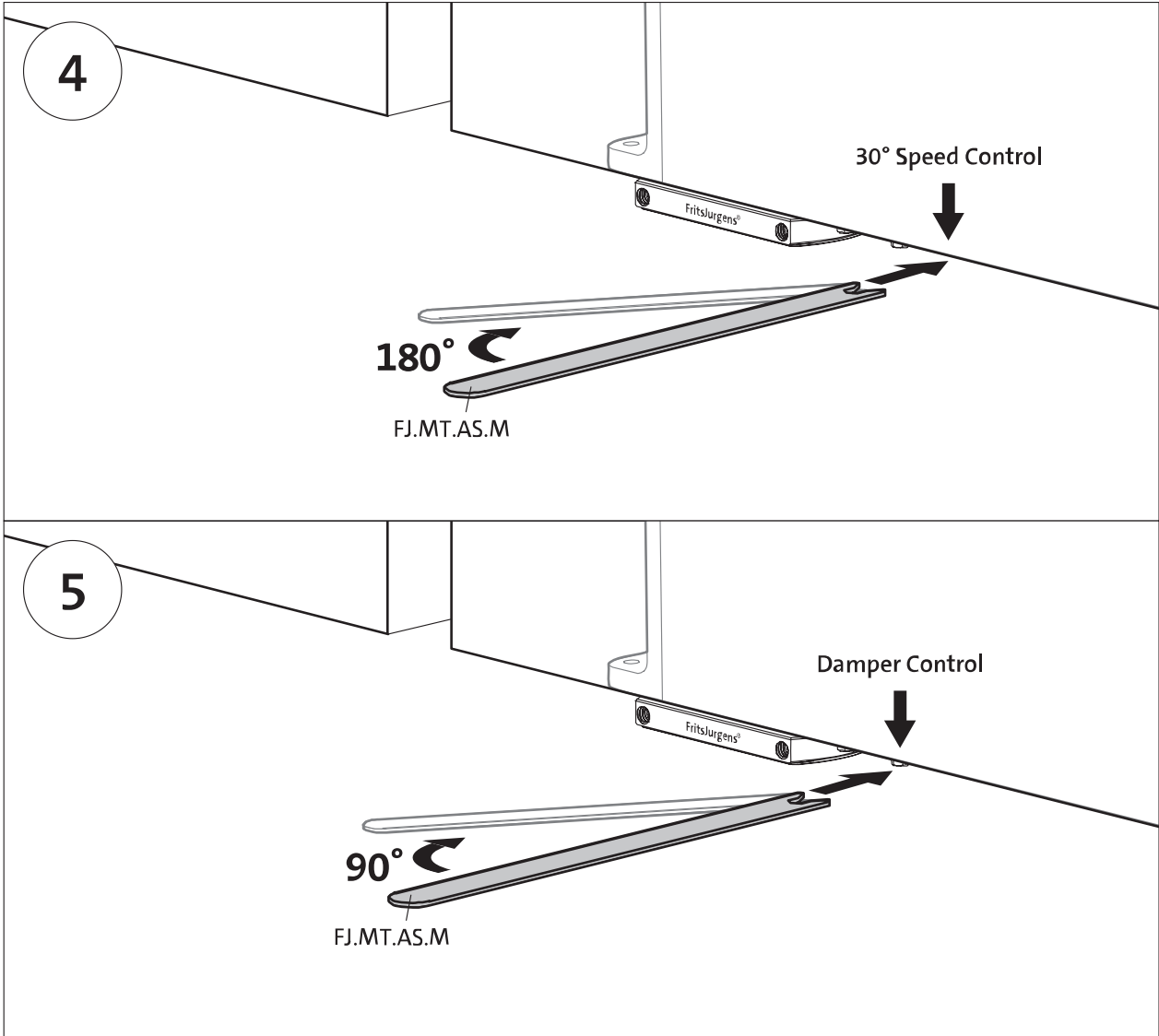




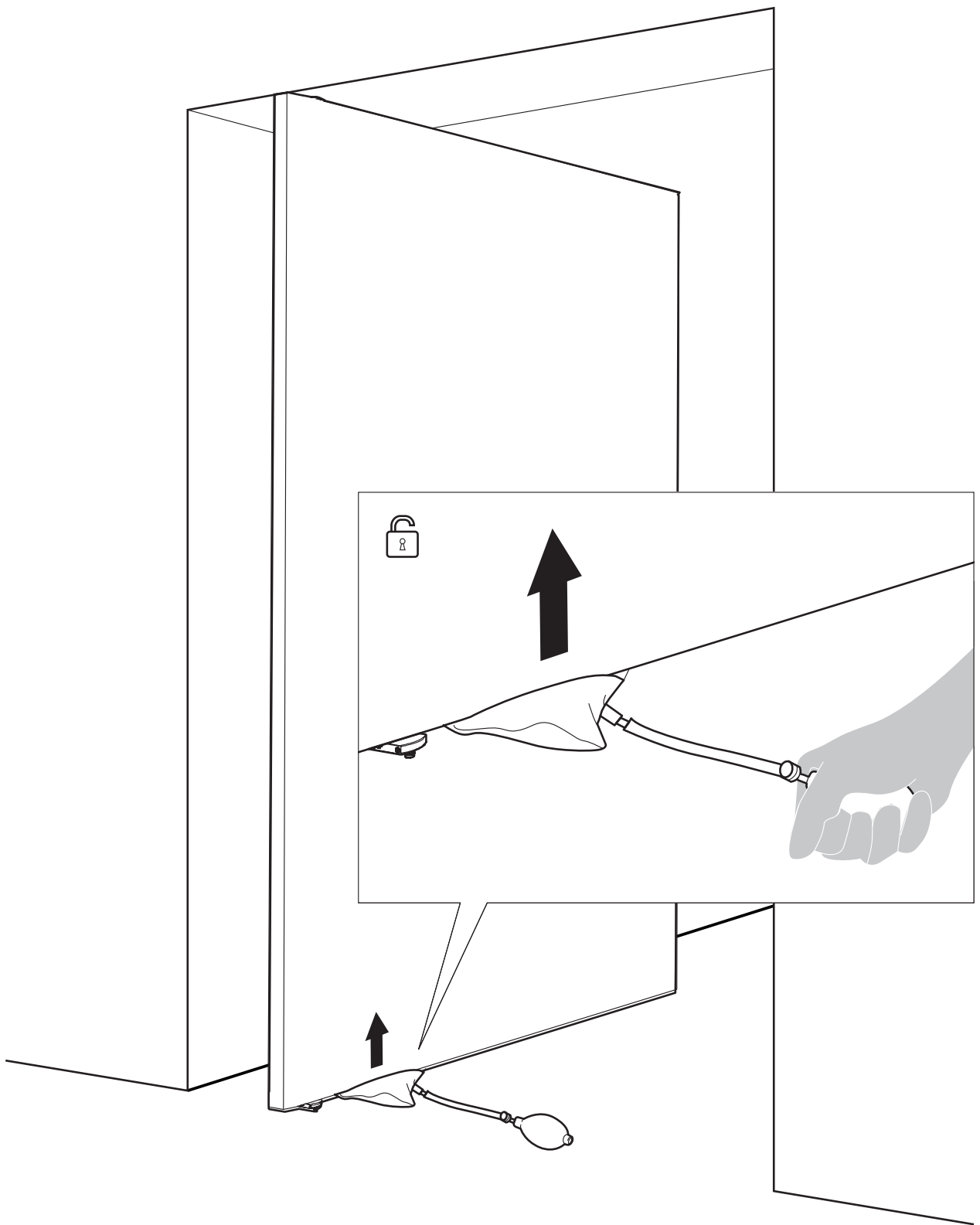


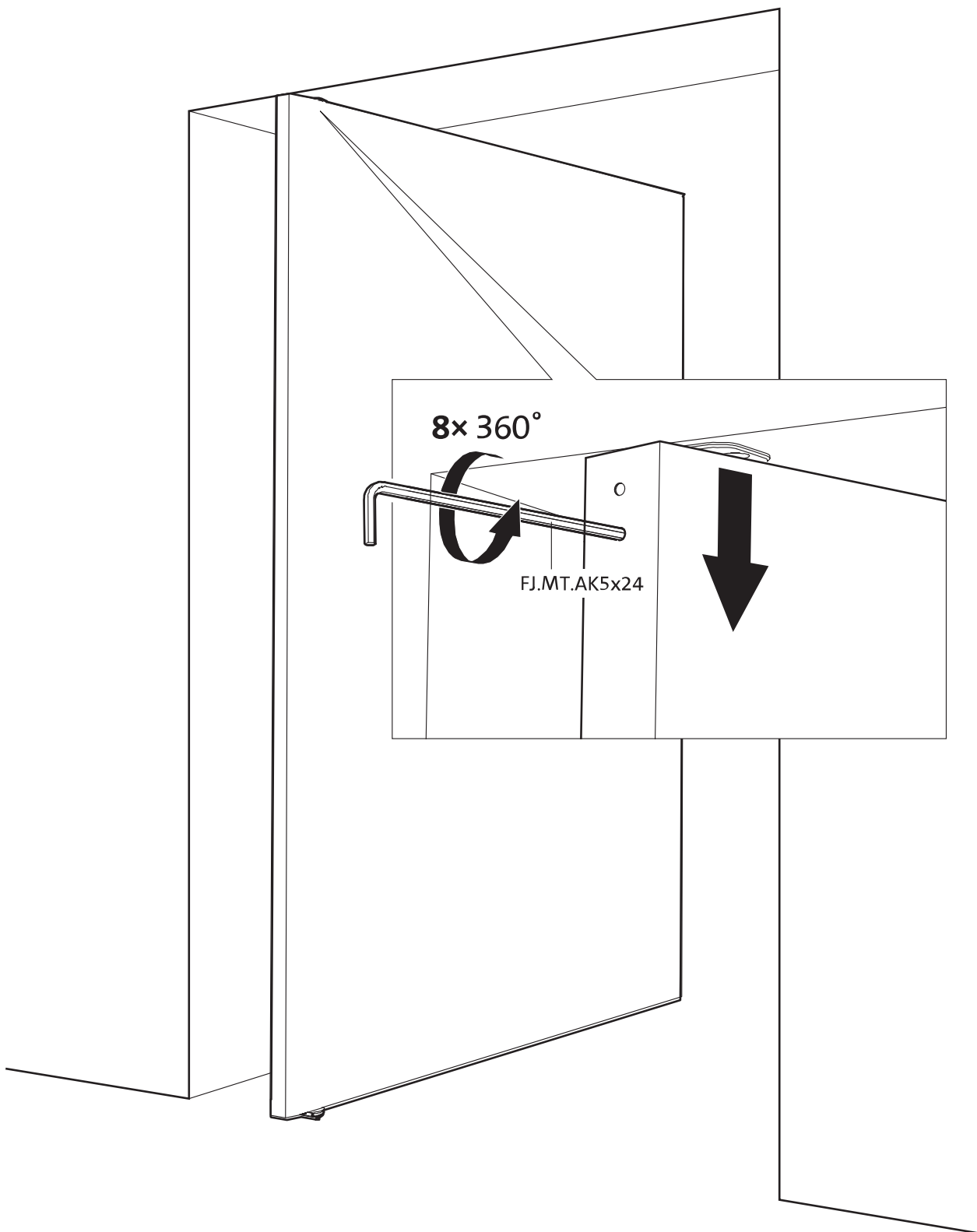


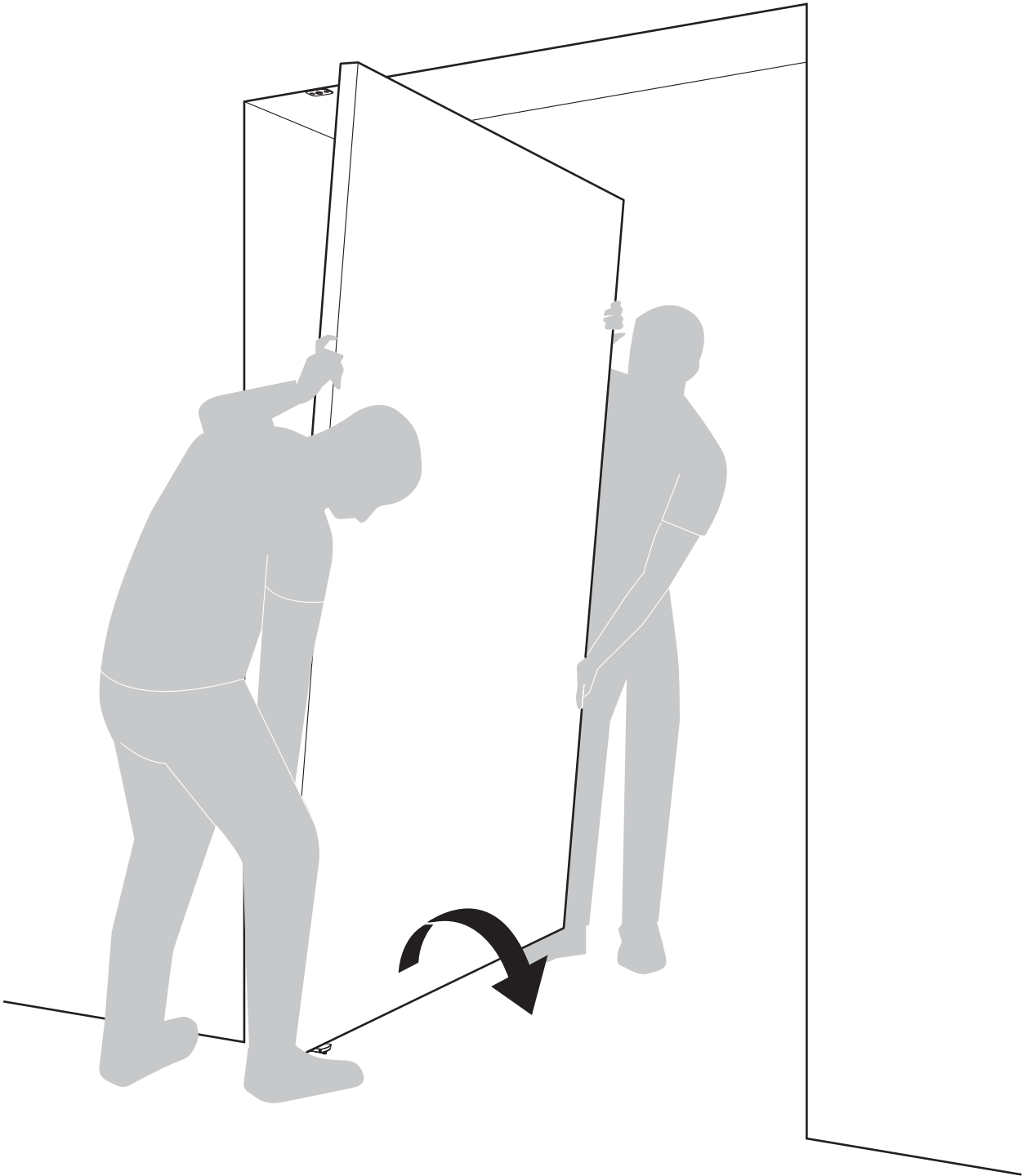




Disassembly instructions







FritsJurgens International

A. Einsteinlaan 1
9615 TE Kolham
The Netherlands
+31 598 343 410
info@fritsjurgens.com

FritsJurgens Dubai Branch

Building A3 Unit 516/517
Dubai South HQ
Dubai
United Arab Emirates
+971 4 820 8106
+971 58 137 2611
dubai@fritsjurgens.com

fritsjurgens.com

Copyright © FritsJurgens®
ST.M+.40.B.S.SS

