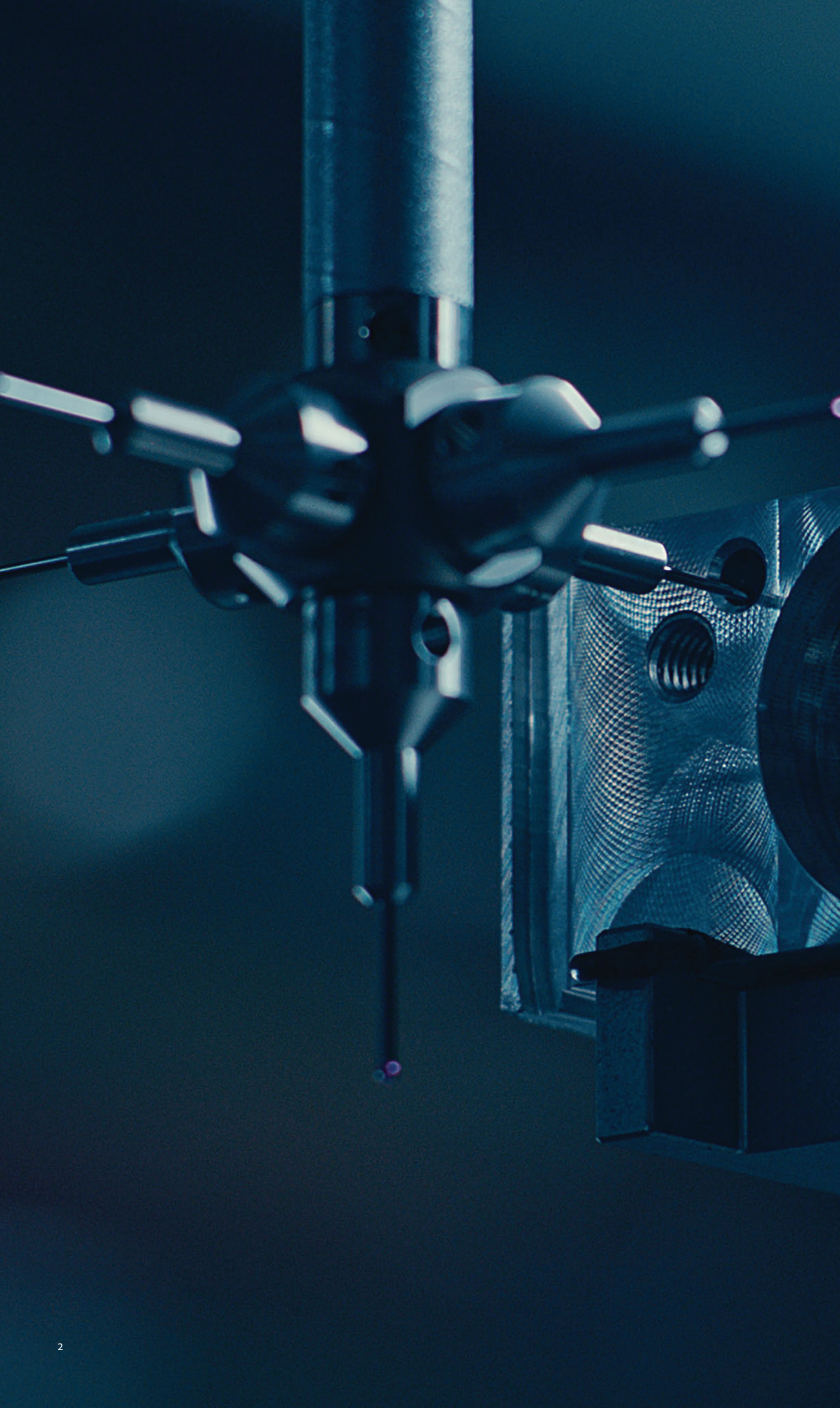




FritsJurgens®



FROM THE NETHERLANDS, FRITSJURGENS CREATES PIVOT HARDWARE SOLUTIONS OF THE HIGHEST POSSIBLE QUALITY THAT EXCEED INDUSTRY STANDARDS AND OUR CLIENT'S EXPECTATIONS. THESE SOLUTIONS ENABLE ENDLESS PIVOT DOOR DESIGN POSSIBILITIES.

- Hidden hardware** Only small floor and ceiling plates are visible. All the hardware is hidden in the door.
- Unlimited design** The door can be of any height and made with every type of material, creating unlimited design possibilities.
- Motion technology** Motion technology puts hydraulic power to use, creating a smooth and controlled door movement.
- Timeless quality** Built from high-performance materials, the systems are maintenance-free and perform flawlessly.

CONTINUOUS IMPROVEMENT

FritsJurgens strives for the best quality possible. Every system that leaves the FritsJurgens headquarters is designed, fabricated, and tested with the greatest attention to detail and with only the best quality materials. This enabled us to create maintenance-free hinges: even after 136 years of daily use, the hinge will still function flawlessly.

WORLDWIDE NETWORK

Architects, designers, and door manufacturers worldwide work with FritsJurgens. Our pivot hinges are available through a trusted partner-network in 80+ countries.



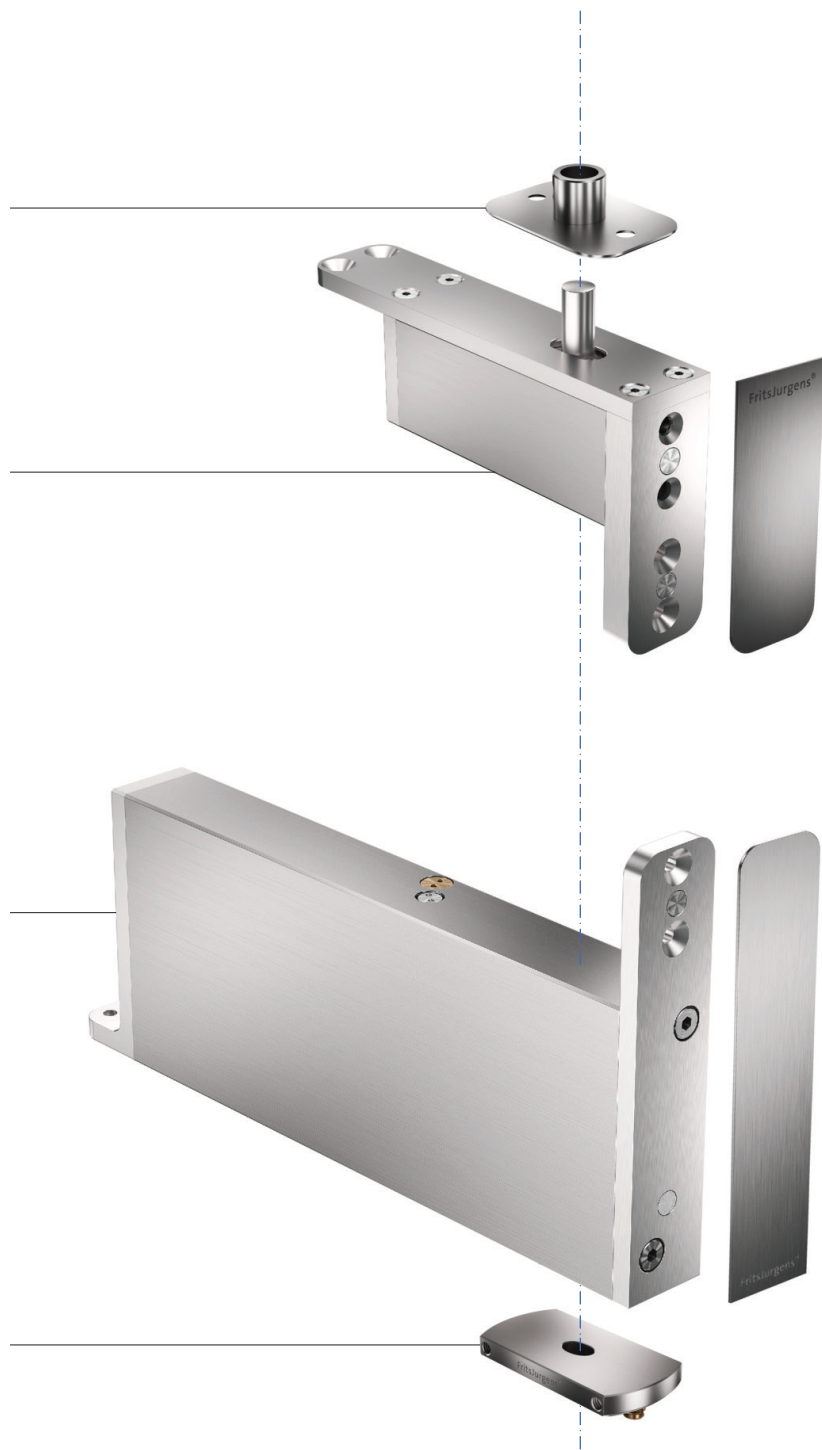
SYSTEM OVERVIEW

1. CP.IND: Ceiling plate

2. TP.40.IND: Top pivot 40 mm

3. BP.M+.40.IND.150.1800:
Bottom pivot System M+ 40 mm

4. FP.M+.IND: Floor plate

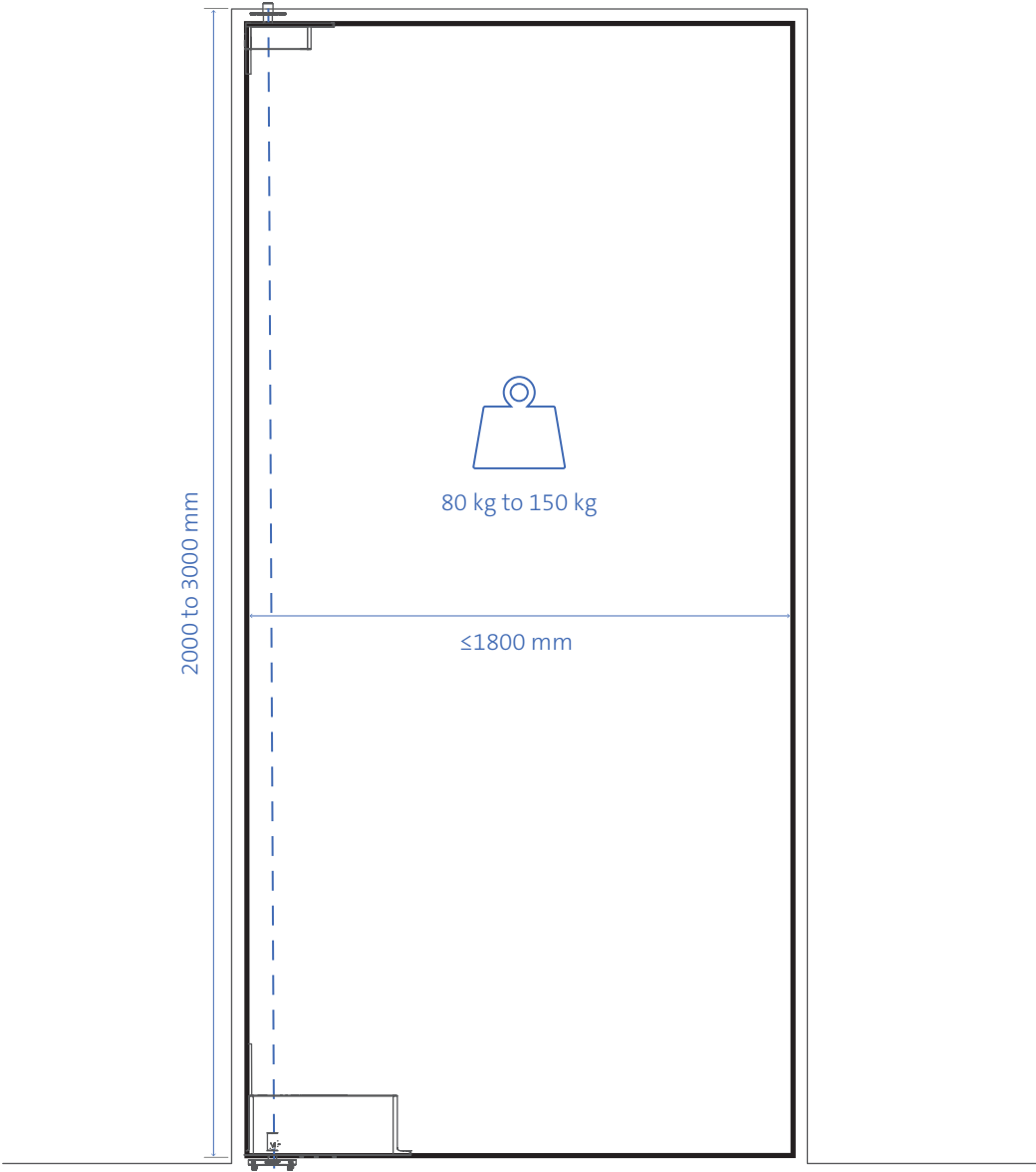


Complete set:

SP.M+.40.IND.150.1800: FritsJurgens set - System M+ 40 mm - 150 kg 1800 mm

PRODUCT OVERVIEW

DOOR SPECIFICATIONS



Maximum height	3000 mm
Maximum width	1800 mm
Door weight	80 kg to 150 kg
Minimum door thickness	40 mm
Fixed pivot point	40 mm



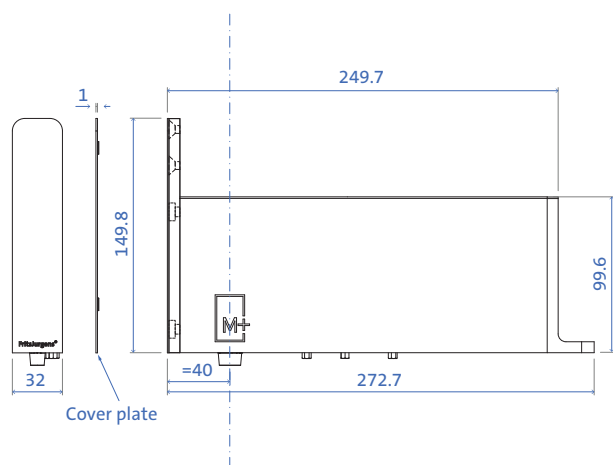
Designed by AMM Kunzli

PRODUCT OVERVIEW

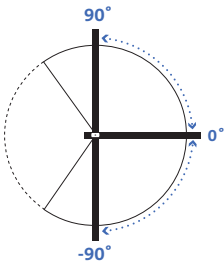
SYSTEM M+

This adjustable pivot hinge brings Latch Control to ensure proper latching, guaranteed control over the movement of the doors.

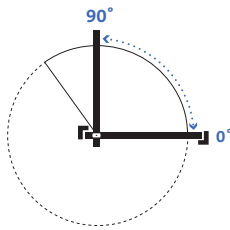
DIMENSIONS



FUNCTION

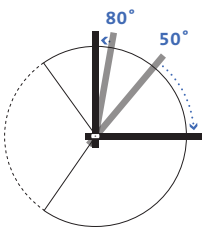


- Double-acting doors
- Rotation 180°
- Hold positions 90°, -90° and 0°
- Self-closing from 125° and -125° to 0°



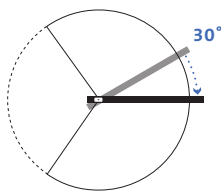
- Single-acting doors
(suitable for doors with latch)
- Rotation 90°
- Hold positions 90° and 0°
- Self-closing from 125° to 0°

MOVEMENT



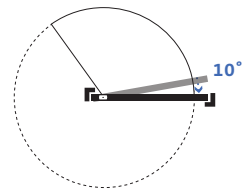
Damper Control

Hydraulic backcheck (opening damping) for wall-protection, and soft-close.



Latch Control

Accelerates the door shortly before closed position to ensure proper latching.



30° Speed Control

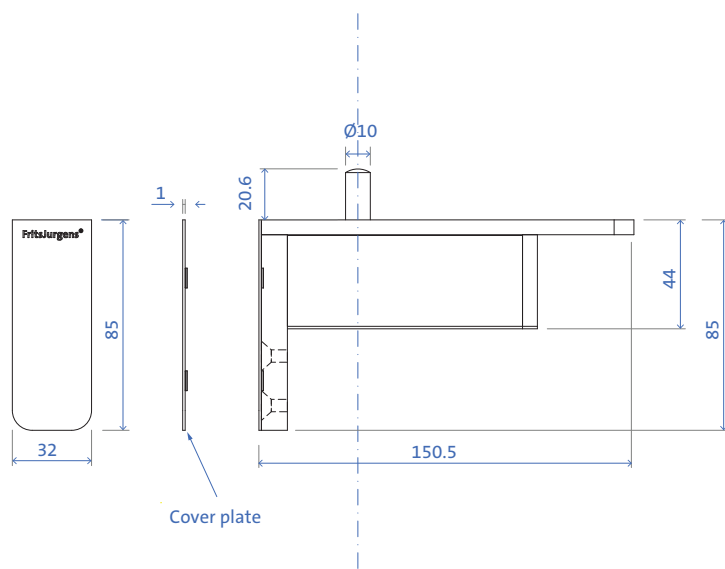
Determines the closing speed, the last part of the door's movement.

PRODUCT OVERVIEW

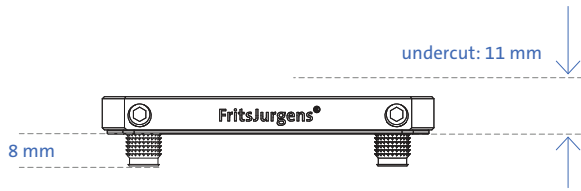
TOP PIVOT 40 MM

- Fixed pivot point at 40 mm
- Maximum clear width, minimal unused space
- Pivot door is minimally present in open position
- Ideal for situations with standard door widths


DIMENSIONS



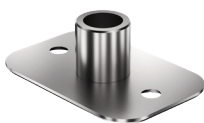
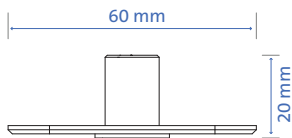
FLOOR PLATE



Stainless Steel

 Shown are the number of mounting pins included in the package, pre-mounted plus any additional ones. The floor plate comes with extra pins for different floor types.

CEILING PLATE



Stainless Steel
10 mm pin

COVER PLATE



Stainless Steel
(plates and pivot covers)



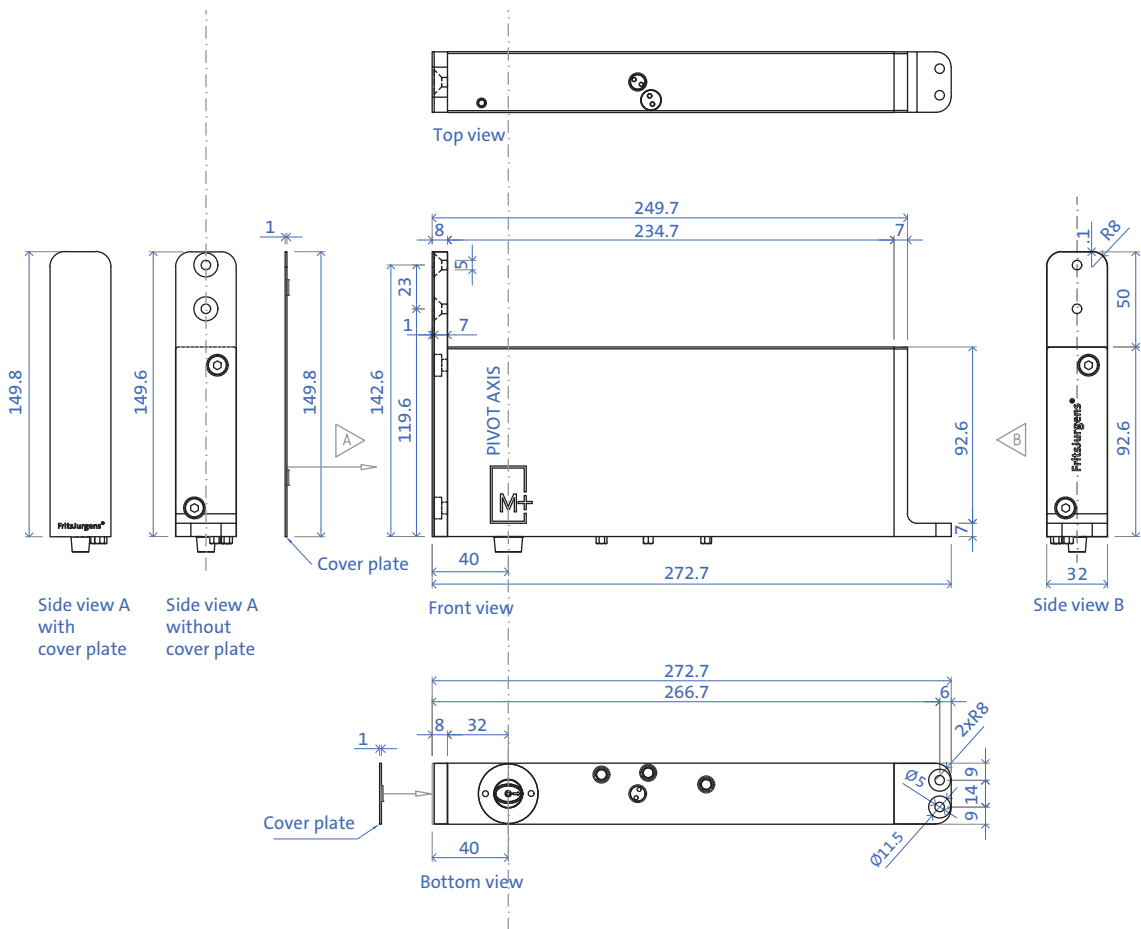


Designed by Marasovic Arhitekti

TECHNICAL DRAWINGS

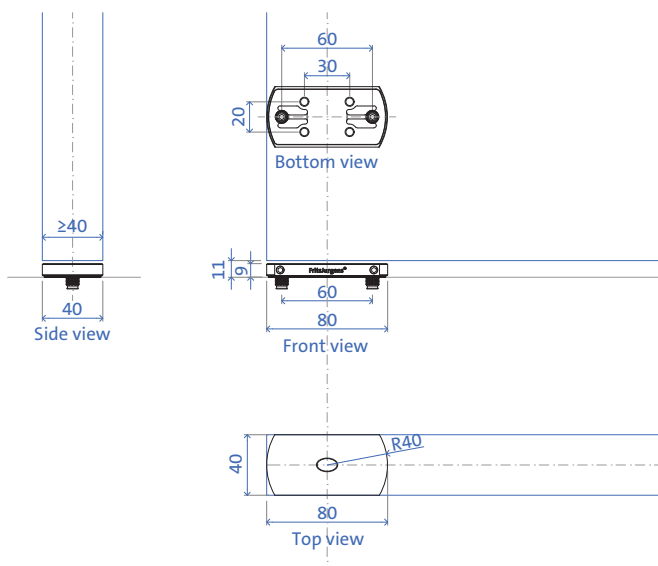
SYSTEM M+

BP.M+.40.IND.150.1800



FLOOR PLATE

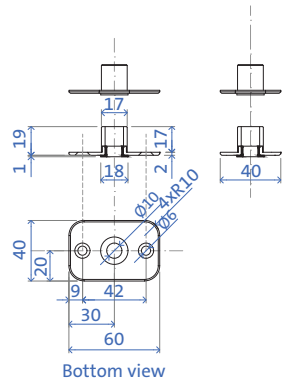
FP.M+.IND



DRAWINGS

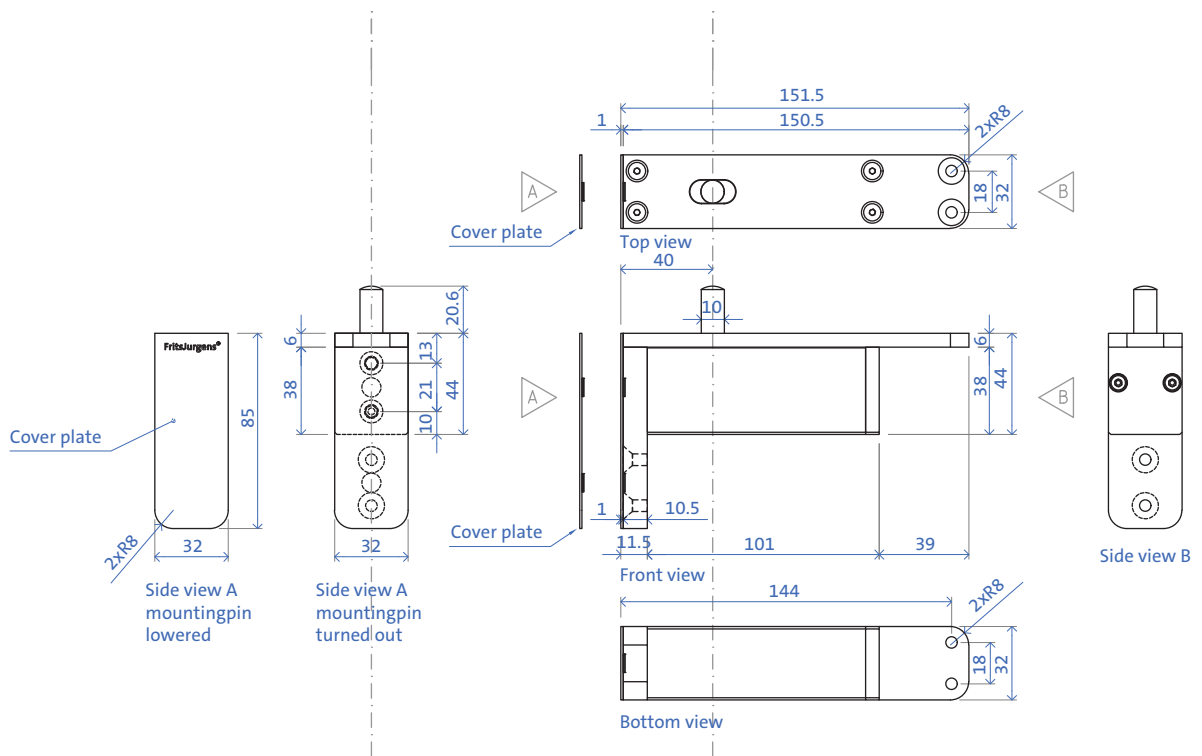
CEILING PLATE

CP.IND

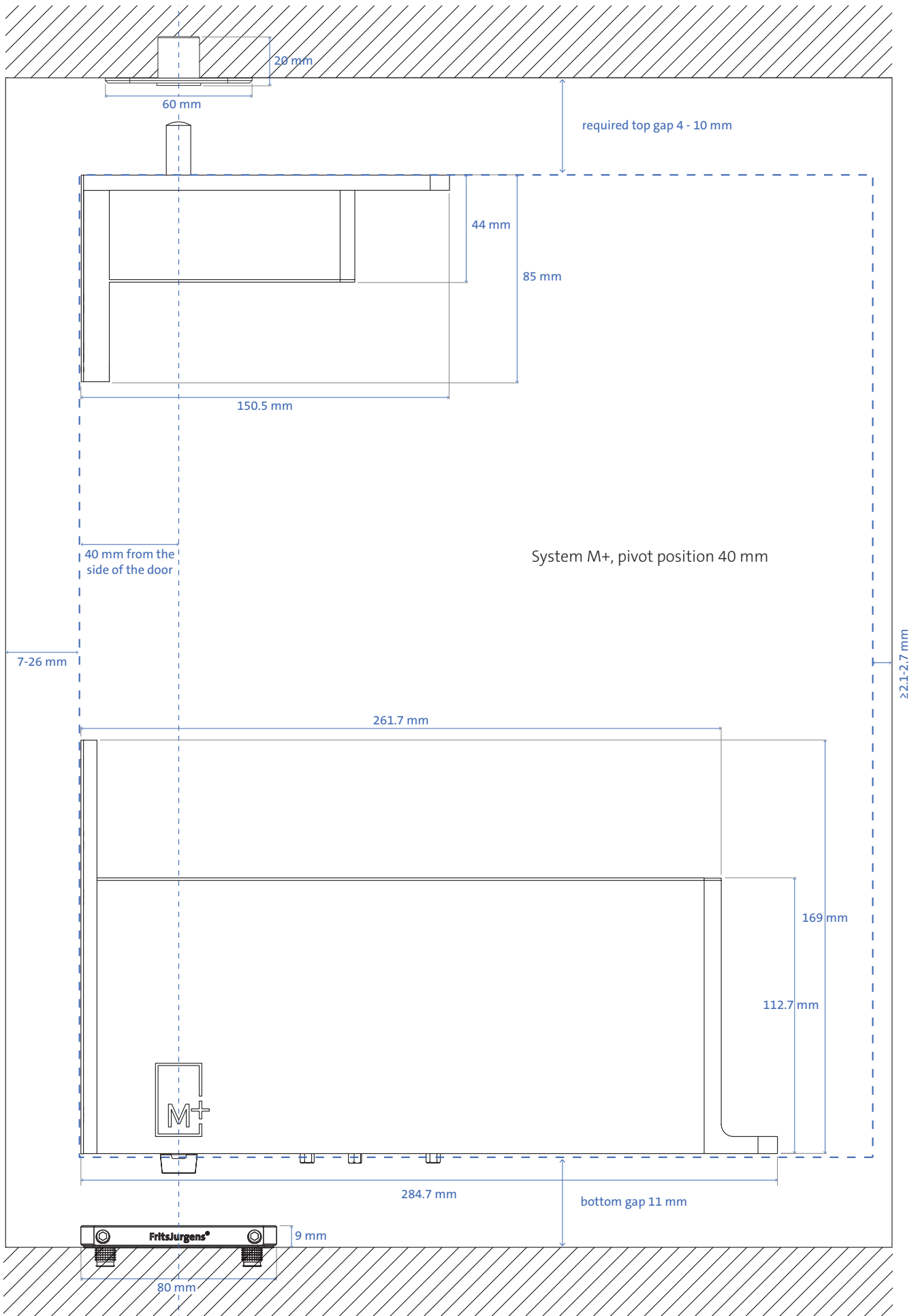


TOP PIVOT 40 MM

TP.40.IND

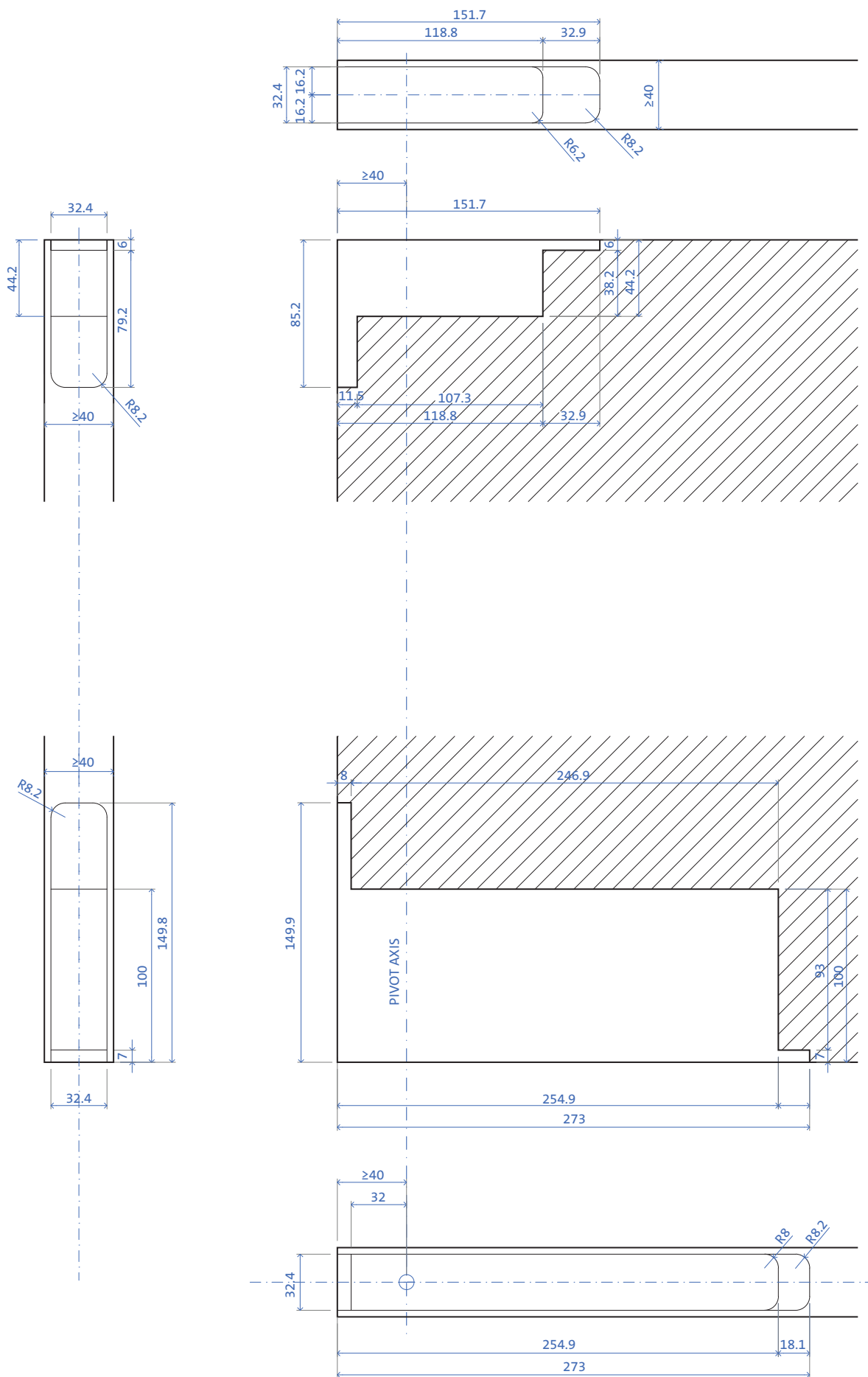


SET COMBINATIONS AND GAPS



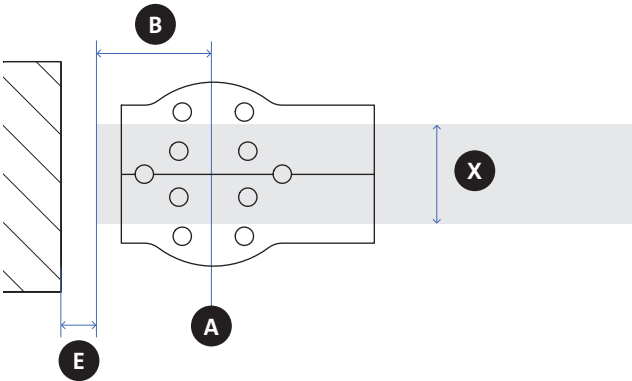
PREPARING THE DOOR

A = 40 MM



FLOOR PLATE

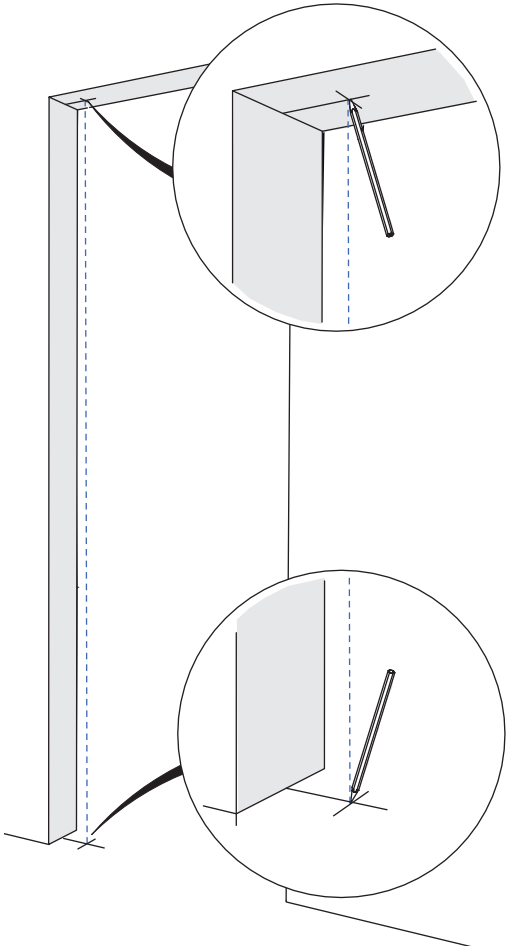
1 Determine the position of pivot point **A** on the floor. Use the drilling template and the table below.



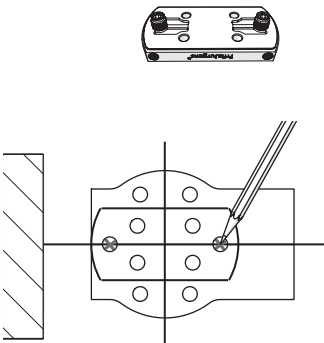
	40	50	60	70	80	90	100	X
B	7	9	12	15	19	22	26	E

- E** Minimum gap between door and wall (7 mm)
- B** Distance pivot point to door edge (40 mm)
- X** Door thickness (≥ 40 mm)

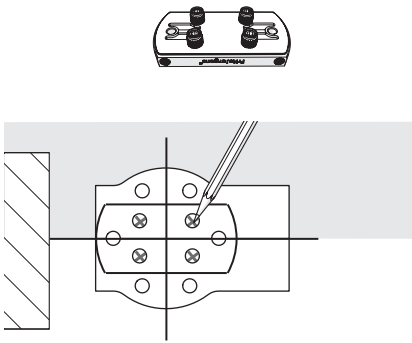
2 Mark pivot point A on the floor and on the ceiling.



3 Mark the drilling holes on the floor. Use the drilling template.



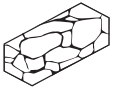
Floor plate, one floor type



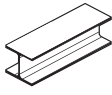
Floor plate, two floor types

MOUNTING

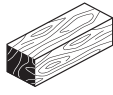
- 4 Select the correct drill bit for the floor and determine the drilling depth.



Ø8 mm
(5/16")

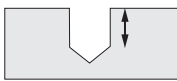
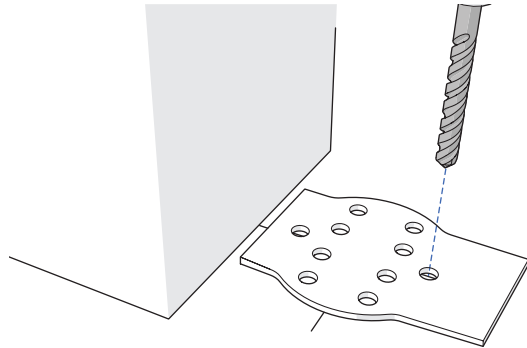


Ø8 mm
(5/16")

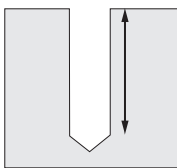


Ø7.5 mm
(19/64")

- 5 Drill the holes in the floor on the marked spots.

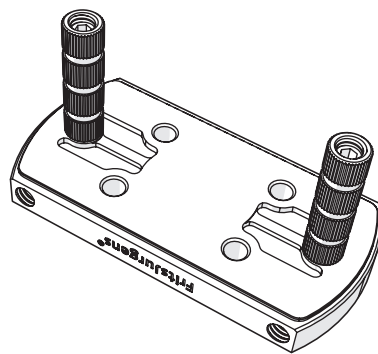
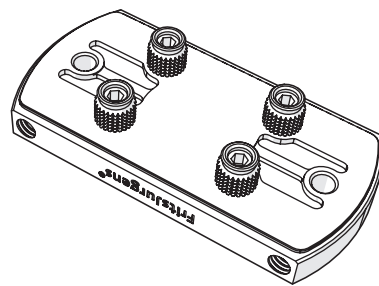
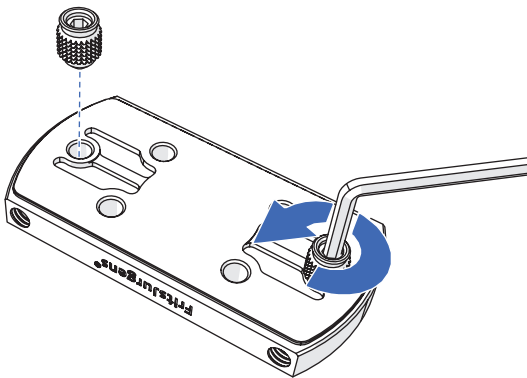


8 mm
(5/16")

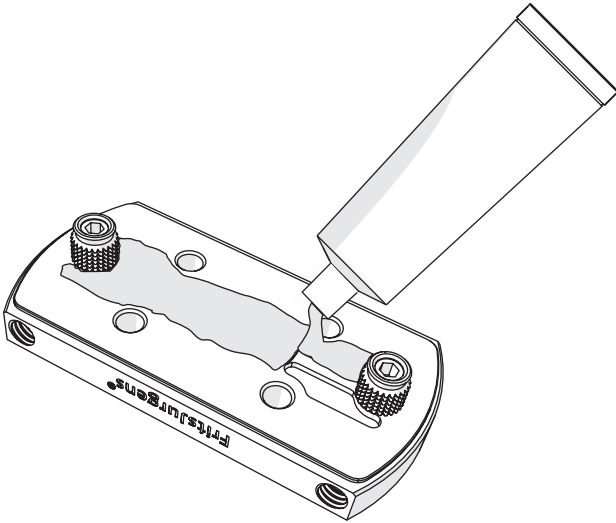


30 mm
(1 3/16")

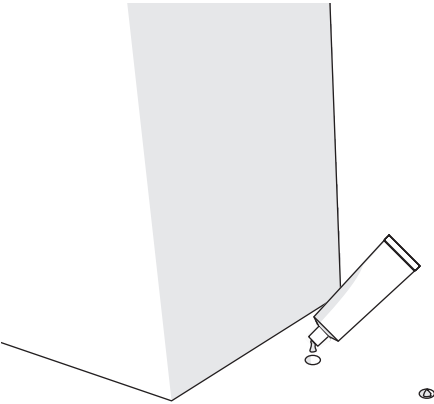
- 6 Determine the pin configuration for your situation. If necessary, use Allen key 3 to unmount the pre-installed pins and install the correction.



- 7 Fill the glue chambers in the floor plate with glue and apply a 1 mm layer of glue* in between the chambers.

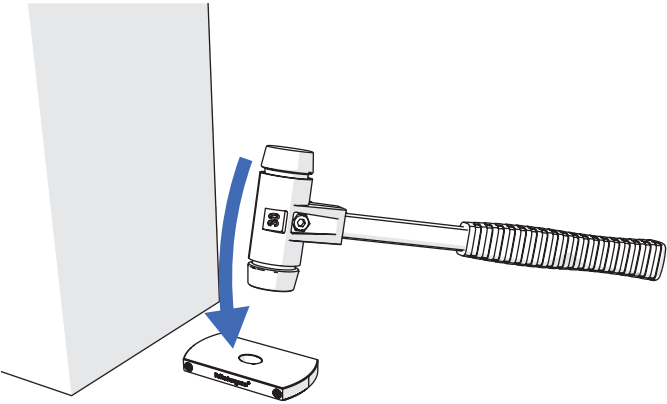
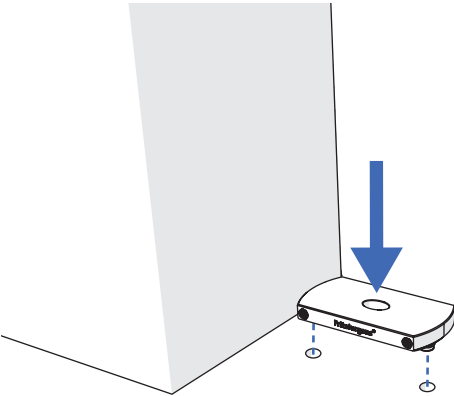


- 8 Add glue in the holes in the floor. Make sure the holes don't overflow when you place the floor plate.



[Click here to know more](#)

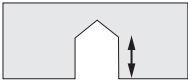
- 9 Use a rubber mallet to affix the floor plate.

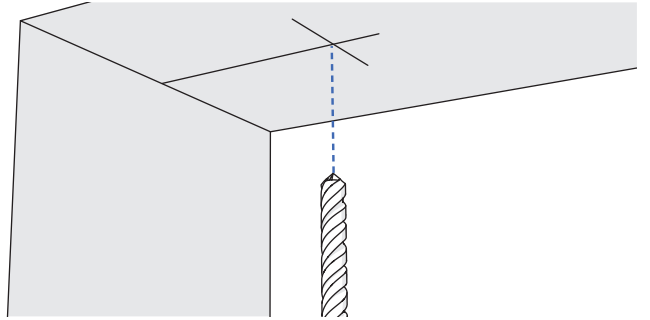


MOUNTING

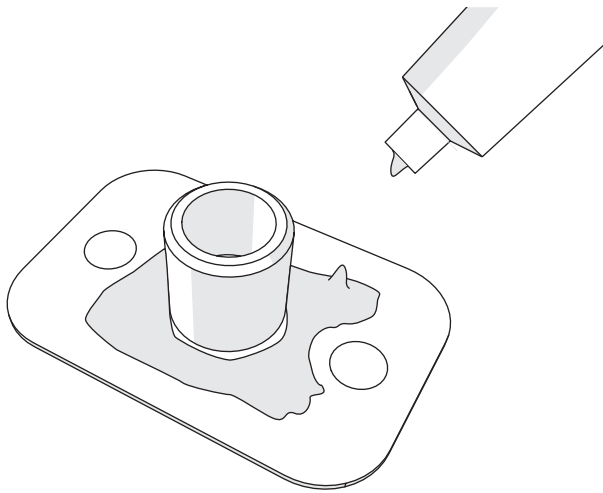
CEILING PLATE

- 1 Drill a hole for the ceiling plate.

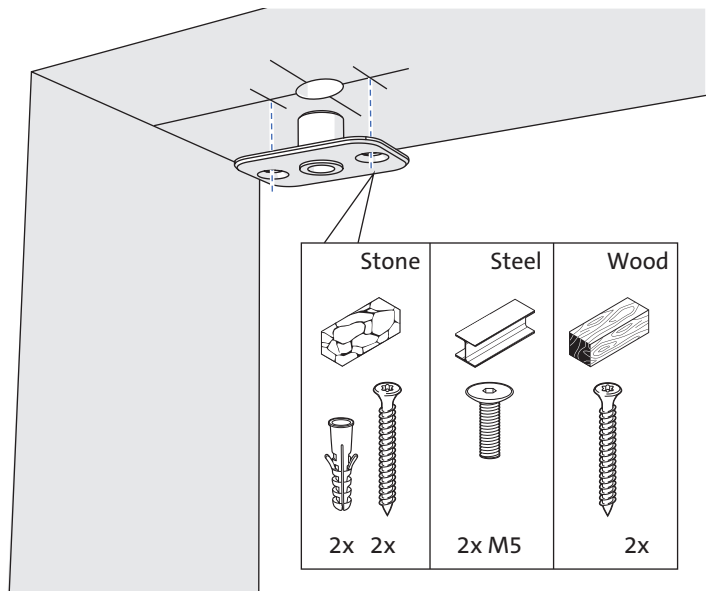
Ceiling plate		Depth	Diameter
10 mm pin		20 mm	Ø18 mm
		(25/32")	(45/64")



- 2 Apply a 1 mm thick layer of glue to the ceiling

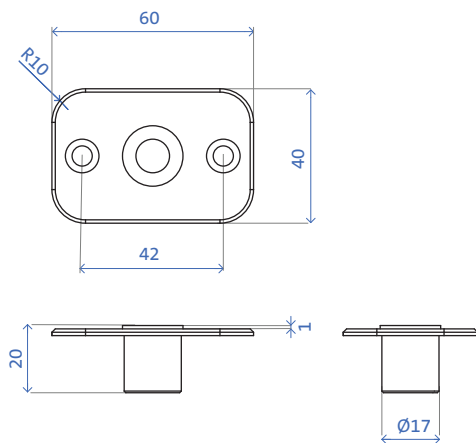


- 3 Affix the ceiling plate.



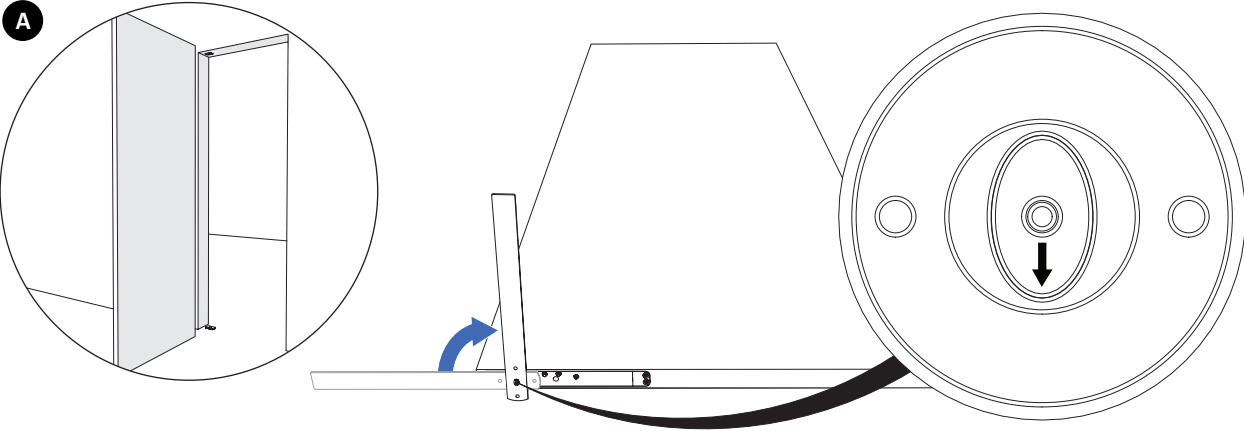
DIMENSIONS

Ceiling plate



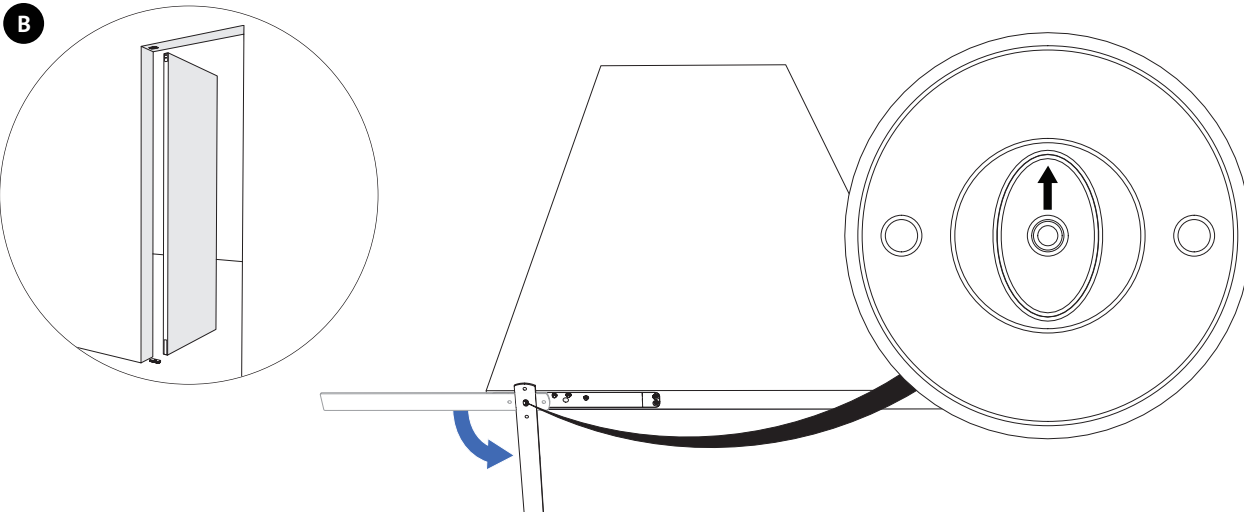
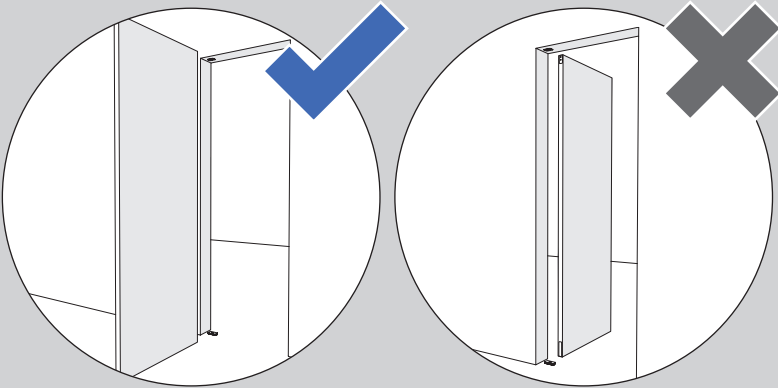
DOOR

- 1 Determine in which direction you will install the door. Turn the arrow on the system's spindle so it points to the latch side of the door when you install it. You can do this with the axle wrench or floor plate.



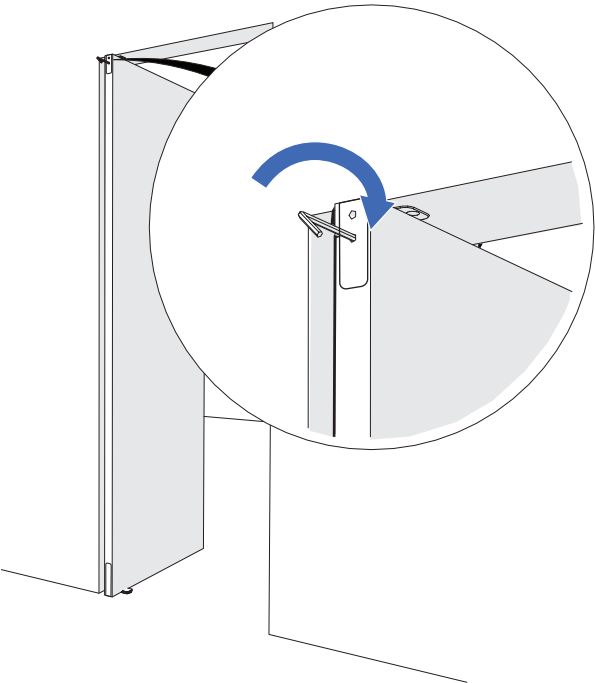
PAY ATTENTION

If you need to take the door out of the floor plate during the mounting process, always put it back the same way. If you do not do that, the arrow will point in the wrong direction, and the system will not function correctly.



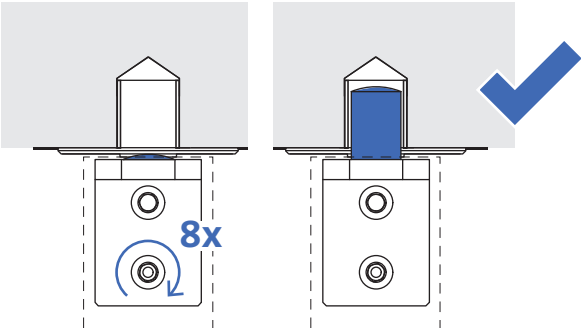
MOUNTING

2 Position the door on the floor plate and align it with the ceiling plate.



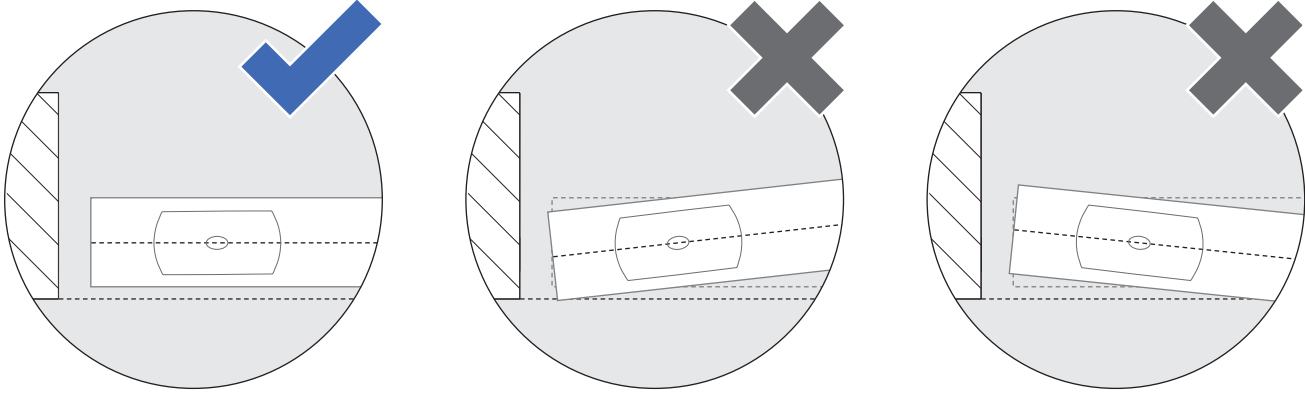
3 Extend the pivot with Allen key 5

Top pivot 40 mm → Turn the key **8** times.



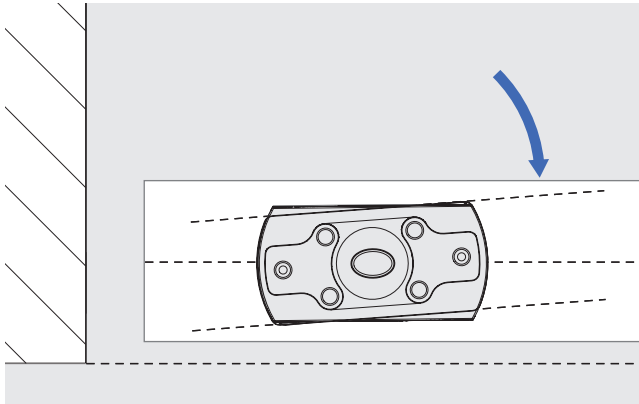
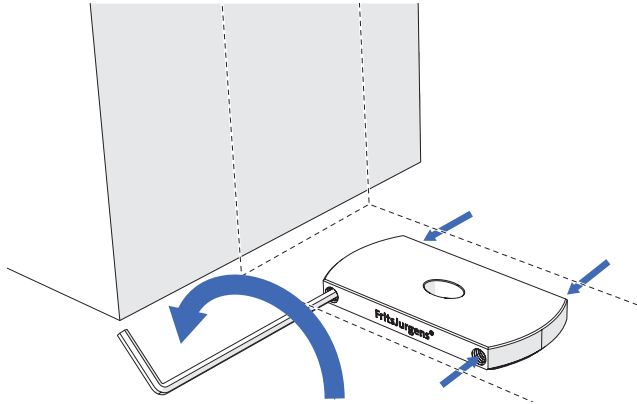
FINE-TUNING RADIAL POSITION*

1 Check the radial alignment of the door.

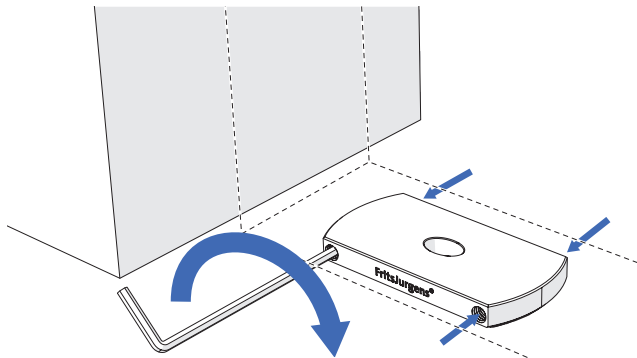


2 If the door is not properly aligned, unlock the floor plate with Allen key 3.

3 Rotate the floor plate until the door is aligned parallel to the wall.



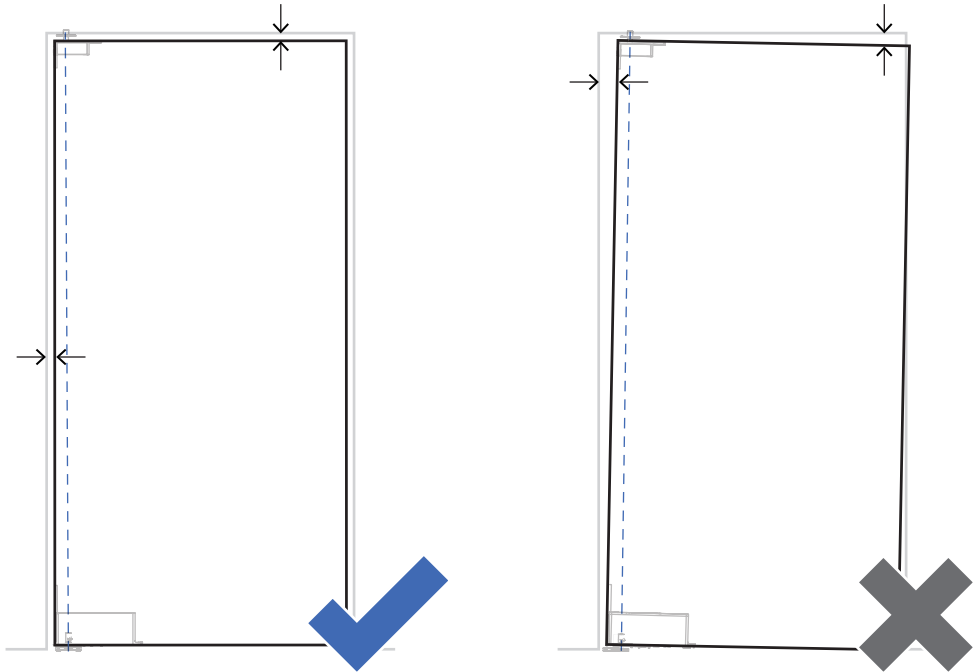
4 Lock the floor plate.



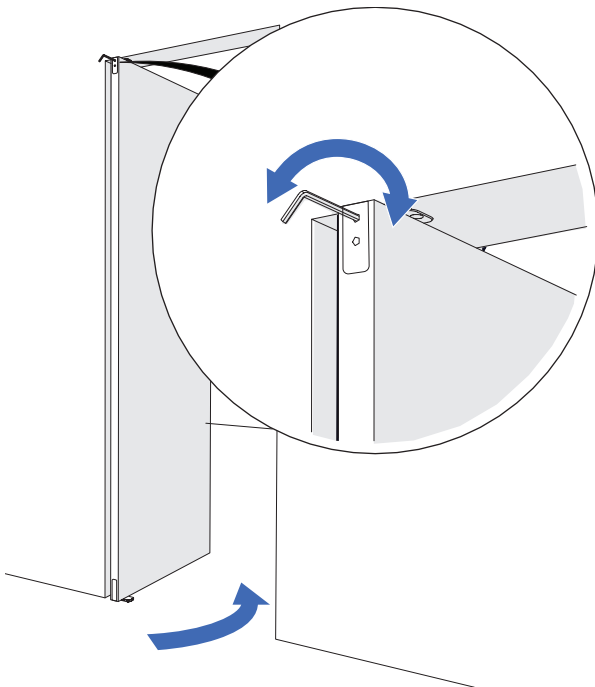
MOUNTING

FINE-TUNING THE CLOSING SEAM

- 1 Check if the door is aligned parallel to the ceiling and the wall.

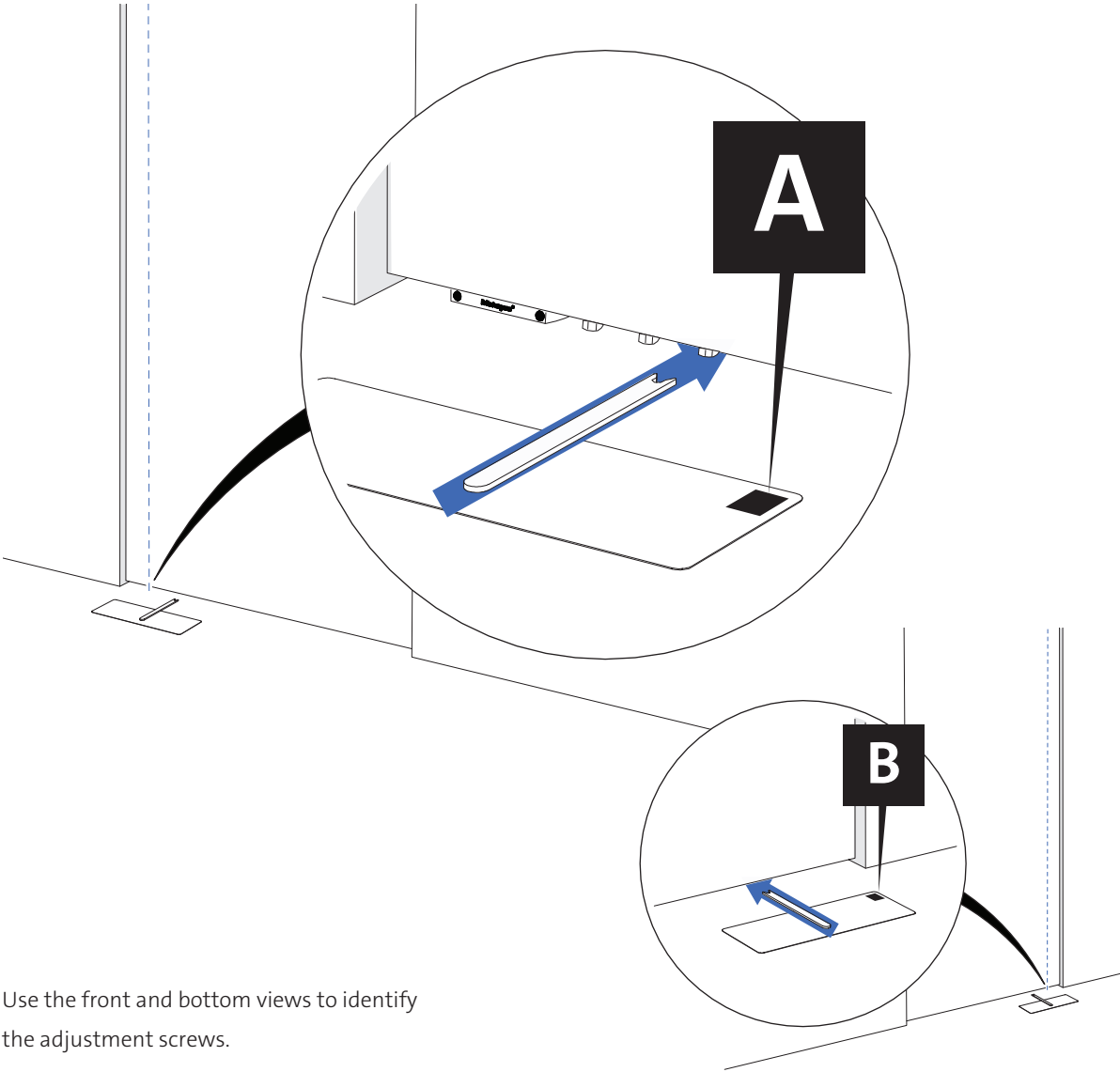


- 2 Open the door. Use Allen key 5 until the door is aligned parallel to the ceiling and the wall.

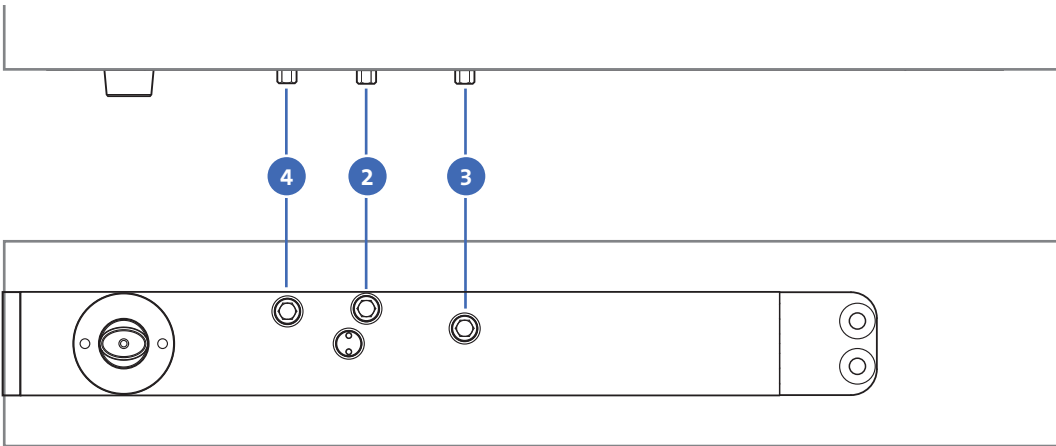



FINETUNING MOVEMENT

- 1 Use the reference sheet and the adjustment spanner to finetune the movement of the door.



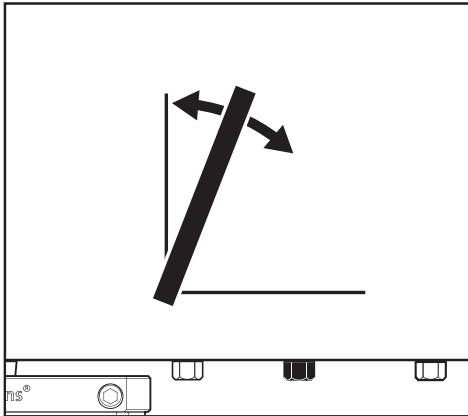
Use the front and bottom views to identify the adjustment screws.



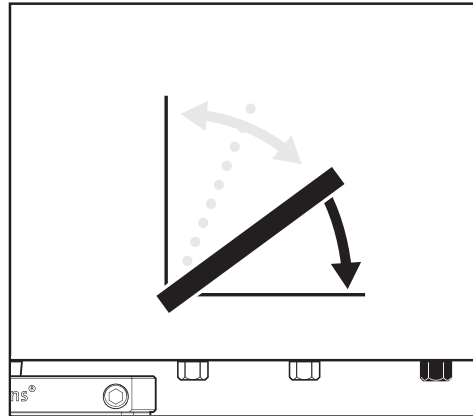
 Beware! Rotate the adjustment screws incrementally with steps of **≈ 10 degrees** at a time. To return the door's adjustments to factory settings continue to 'Reset the system' on page 27

MOUNTING

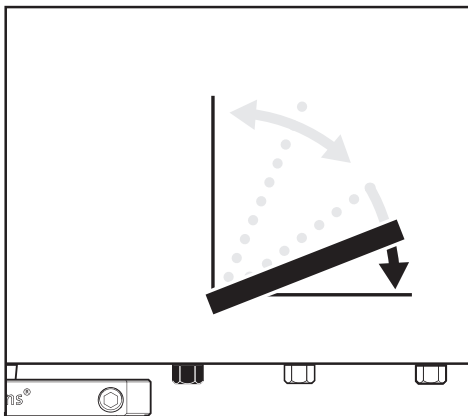
- 1 Adjust **Damper Control** to determine the door's opening speed (hydraulic backcheck).



- 2 Adjust **30° Speed Control** to determine the door's speed in the last 30° of the closing movement.



- 3 If your door has latching bolts, use **Latch Control** to make sure the door latches properly.



RESET THE SYSTEM

- 1 Close all of the adjustment screws by turning them towards the tortoise (counterclockwise) until you feel a slight resistance.
- 2 Open the adjustment screws (clockwise) to the correct angle as shown in the table below.

System	Latch	Speed	Damper
System M+ BP.M+.40.IND.150.1800	If necessary: 180 degrees	90 degrees	180 degrees

For more information, [click here](#).



FritsJurgens®

FRITSJURGENS INTERNATIONAL

A. Einsteinlaan 1
9615 TE Kolham
The Netherlands
+31 598 343 410
info@fritsjurgens.com

FRITSJURGENS ITALIA (REGIONAL SALES OFFICE)

Via Marsilio Ficino 22
50132 Firenze
Italy
+39 055 064 0290
info@fritsjurgens.com

FRITSJURGENS DUBAI BRANCH

DLC-OP-A2-4-0029
Dubai South
Dubai
United Arab Emirates

FJ.IN.M+.40.IND

Copyright © FritsJurgens®

06-2023



8 720681 610375

For more product
information, click here.