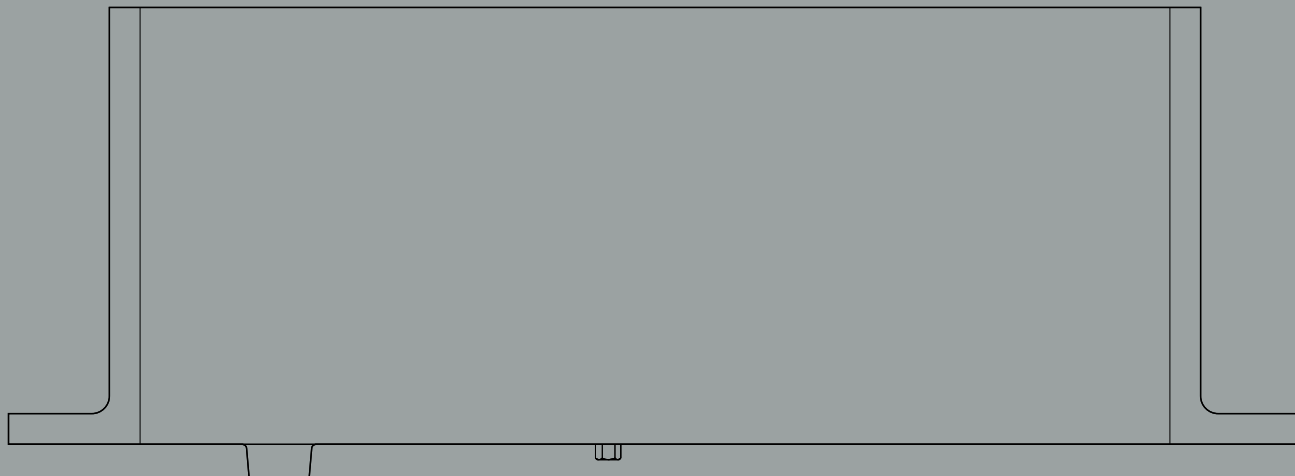


System M
Technical documentation
Functionalities and specifics



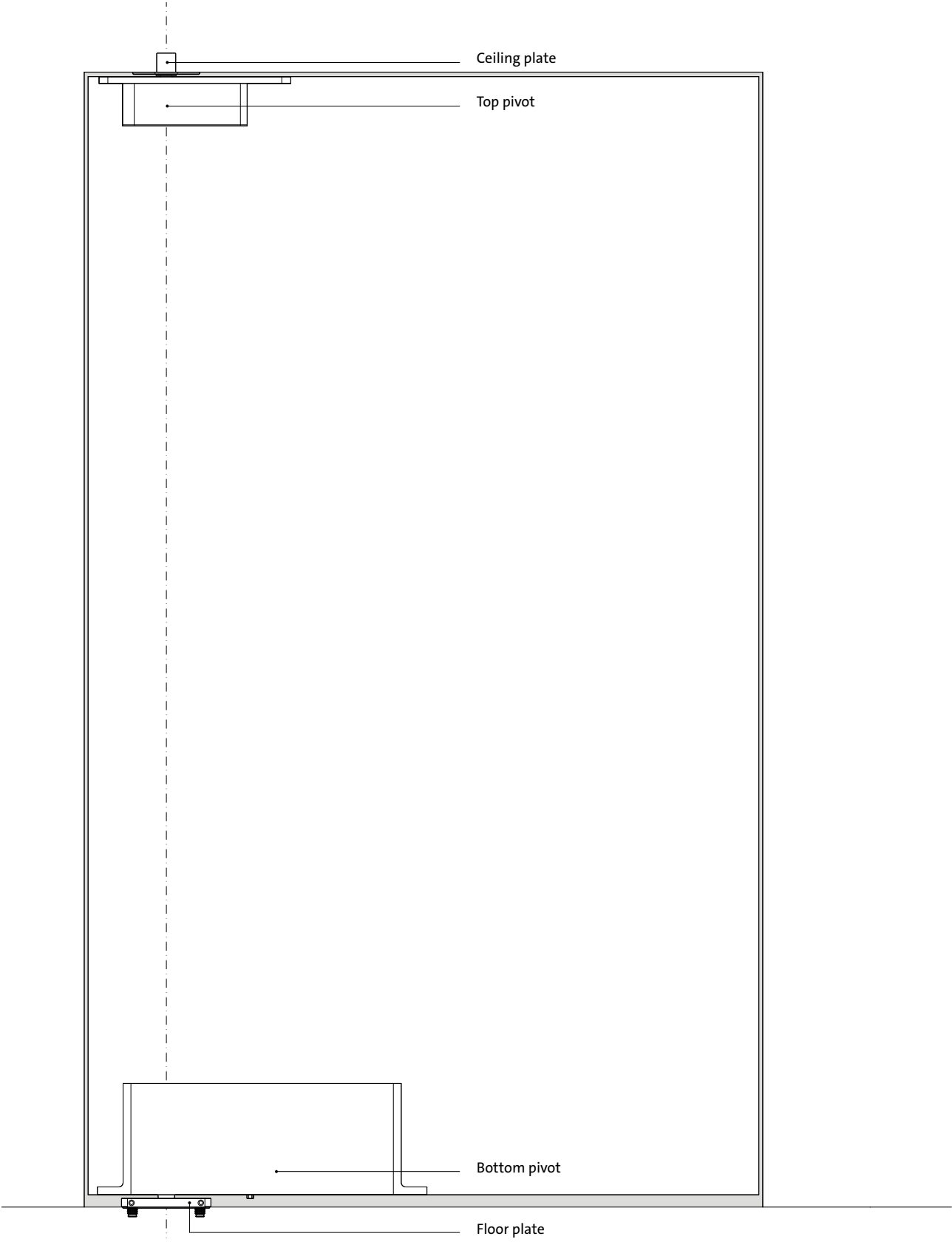
Overview	3
Components	4
Functions	5
Bottom pivots	7
Variants	8
Top pivots	9
Installation inside the door	10
Installation in the head jamb	12
Ceiling plates and Receiver	13
Ceiling plates	14
Receiver	15
Floor plates	17
Installation on the floor	18
Technical checklist	19
Top and bottom gap	20
Side gaps	21
System M+/M weight classes table	22
Milling and components	23
System M 70 mm	24
System M 40 mm	26
Top pivot 70 mm Class B	28
Top pivot 70 mm Class G	29
Top pivot 40 mm Class B	30
Top pivot 40 mm Class G	31
Top pivot Reversed	32

Overview

System M is a self-closing pivot hinge which allows you to finetune the movement of your door, while easily carrying a broad range of pivot door types up to 209 kg.

Components

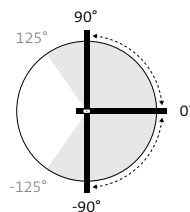
Our systems always consist of the following components:



Functions

Rotation	Double-acting: 180°
Hold positions	Double-acting: 90°, -90° and 0°
Free swing	No
Self-closing	Double-acting: Self-closing

Rotation

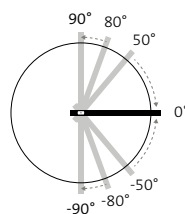


Double-acting

Double-acting means that the pivot door can be opened towards both sides, with a hold position at 90° at either side.

Movement

Damper Control allows you to finetune the movement of your door.



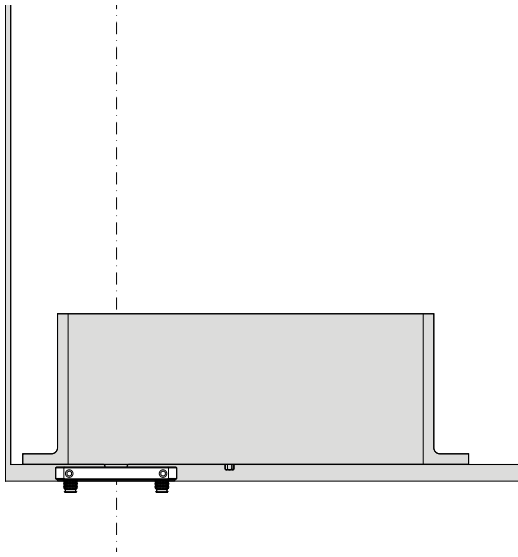
Damper Control

Hydraulic back-check (opening damping) for wall-protection, and soft-close for a smooth closing movement.

Bottom pivots

It all hinges on the bottom pivot. Our bottom pivots are easily applicable to the side as well as to the middle of the door.

Variants



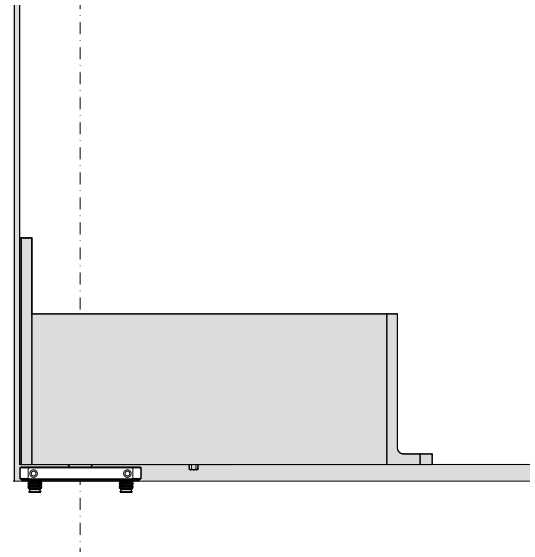
System M 70 mm

294.8 × 32 × 99.6 mm

Placement	Side placement
Pivot point	Pivot point from 70 mm to middle placement
Cover plates	No
Door weight	Class AA: 20 - 79 kg Class A: 20 - 119 kg Class B: up to 159 kg Class C: up to 209 kg

Compatible with

Top pivots	Top pivot 70 mm Class B (Class AA, A and B) Top pivot 70 mm Class G (Class C) Top pivot Reversed (all classes)
Floor plates	Floor plate squared Floor plate round



System M 40 mm

272.7 × 32 × 149.6 mm

Placement	Side placement
Pivot point	Fixed pivot point at 40 mm
Cover plates	Yes
Door weight	Class AA: 20 - 79 kg Class A: 20 - 119 kg Class B: up to 159 kg Class C: up to 209 kg

Compatible with

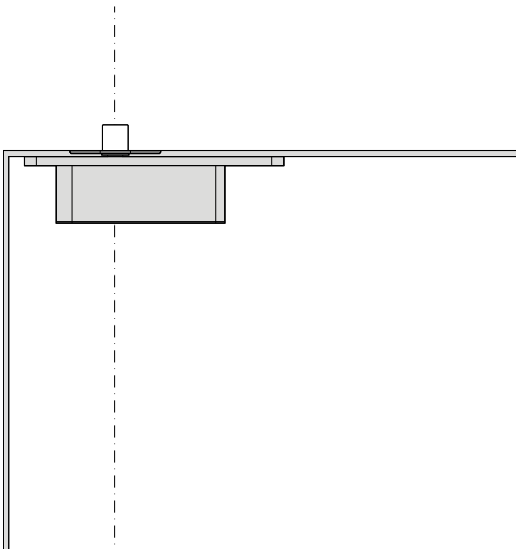
Top pivots	Top pivot 40 mm Class B (Class AA, A and B) Top pivot 40 mm Class G (Class C)
Floor plates	Floor plate squared Floor plate round

Find out more about [top pivots](#) or [floor plates](#).

Top pivots

The top pivot anchors the pivot door between the floor and the ceiling.

Installation inside the door



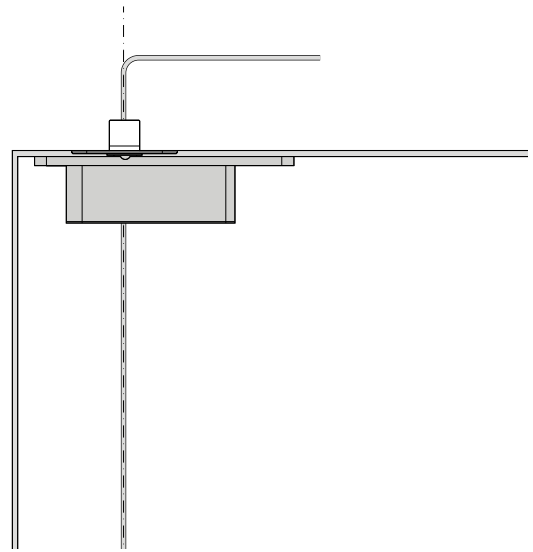
Top pivot 70 mm Class B

171.5 × 32 × 44 mm

Placement	Side placement
Pin diameter	Ø10 mm
Pivot point	Pivot point from 70 mm
Adjustment	From the side of the door: 5 mm to the left and 5 mm to the right
Cable grommet	No
Cover plates	No

Compatible with

Bottom pivots	System M 70 mm (Class AA, A and B)
Ceiling plates	Ceiling plate Class B



Top pivot 70 mm Class G

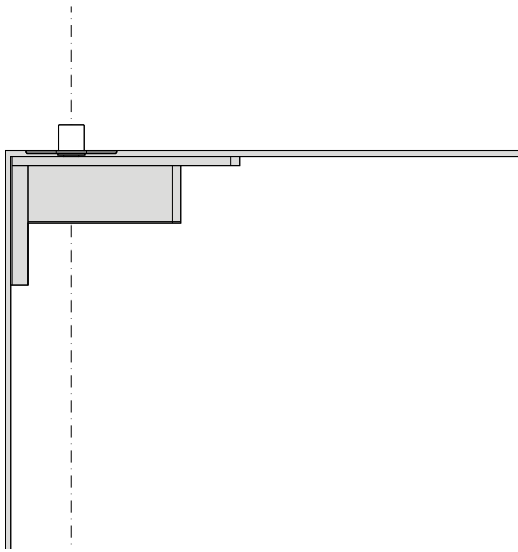
171.5 × 32 × 44 mm

Placement	Side placement
Pin diameter	Ø15 mm
Pivot point	Pivot point from 70 mm
Adjustment	From the side of the door: 5 mm to the left and 5 mm to the right
Cable grommet	Yes, Ø7.5 mm cable entry
Cover plates	No

Compatible with

Bottom pivots	System M 70 mm (Class C)
Ceiling plates	Ceiling plate Class G

Find out more about [ceiling plates](#).



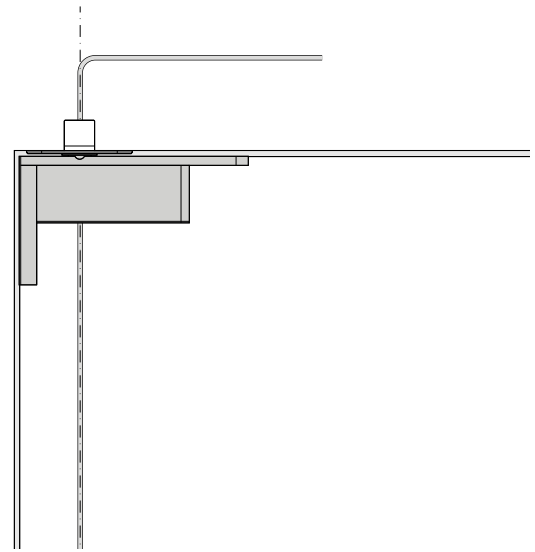
Top pivot 40 mm Class B

151.5 × 32 × 85 mm

Placement	Side placement
Pin diameter	Ø10 mm
Pivot point	Fixed pivot point at 40 mm
Adjustment	From the side of the door: 5 mm to the left and 5 mm to the right
Cable grommet	No
Cover plates	Stainless steel Black

Compatible with

Bottom pivots	System M 40 mm (Class AA to B)
Ceiling plates	Ceiling plate Class B



Top pivot 40 mm Class G

151.5 × 32 × 85 mm

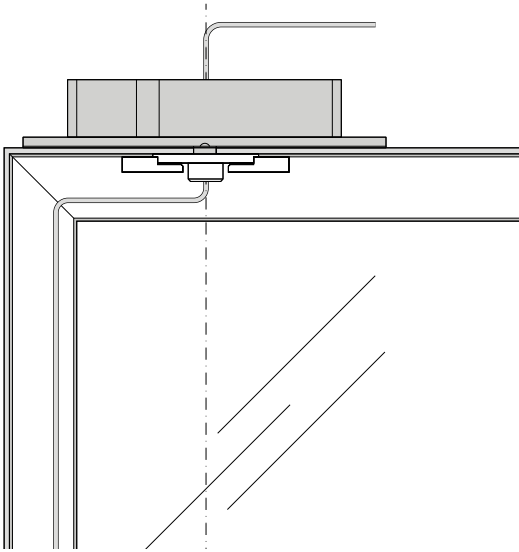
Placement	Side placement
Pin diameter	Ø15 mm
Pivot point	Fixed pivot point at 40 mm
Adjustment	From the side of the door: 5 mm to the left and 5 mm to the right
Cable grommet	Yes, Ø7.5 mm cable entry
Cover plates	Stainless steel Black

Compatible with

Bottom pivots	System M 40 mm (Class C)
Ceiling plates	Ceiling plate Class G

Find out more about [ceiling plates](#).

Installation in the head jamb



Top pivot Reversed

240 × 32 × 45 mm

Placement	Side placement
Pin diameter	Ø15 mm
Pivot point	Pivot point from 130 mm to middle placement
Adjustment	From inside the door opening: 5 mm to the left and 5 mm to the right
Cable grommet	Yes, Ø7.5 mm cable entry
Cover plates	Stainless steel Black White

Compatible with

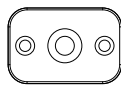
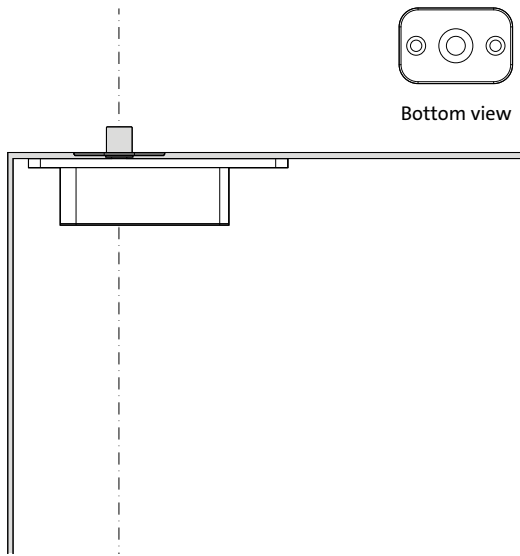
Bottom pivots	System M 70 mm (all classes)
Ceiling plates	Receiver

Find out more about [ceiling plates](#) or [Receiver](#).

Ceiling plates and Receiver

Our ceiling plates and Receiver pair with the top pivots. The ceiling plates can be combined with all our top pivots, except for the Receiver. The top pivot Reversed pairs best with the Receiver to mount in the door.

Ceiling plates



Bottom view

Ceiling plate Class B

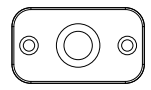
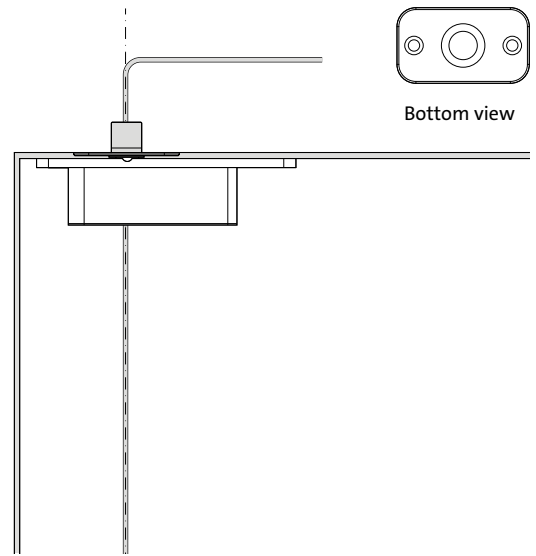
60 × 40 × 20 mm

Colours Stainless steel
 Black

Pin diameter Ø10 mm

Compatible with

Top pivots Top pivot 70 mm Class B
 Top pivot 40 mm Class B



Bottom view

Ceiling plate Class G

70 × 40 × 23 mm

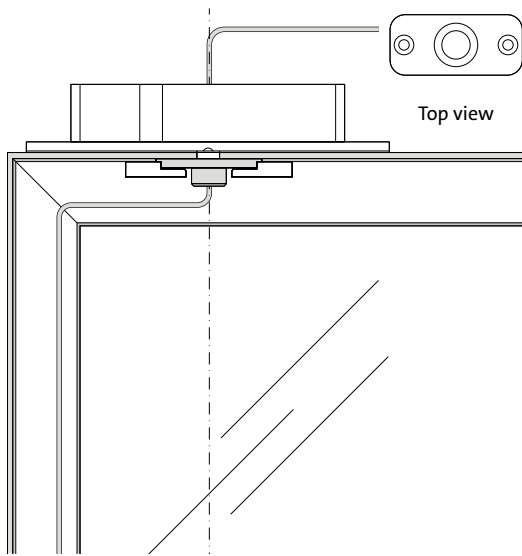
Colours Stainless steel
 Black

Pin diameter Ø15 mm

Compatible with

Top pivots Top pivot 70 mm Class G
 Top pivot 40 mm Class G

Receiver



Receiver

70 × 32 × 18 mm

Colours Stainless steel

Pin diameter Ø15 mm

Compatible with

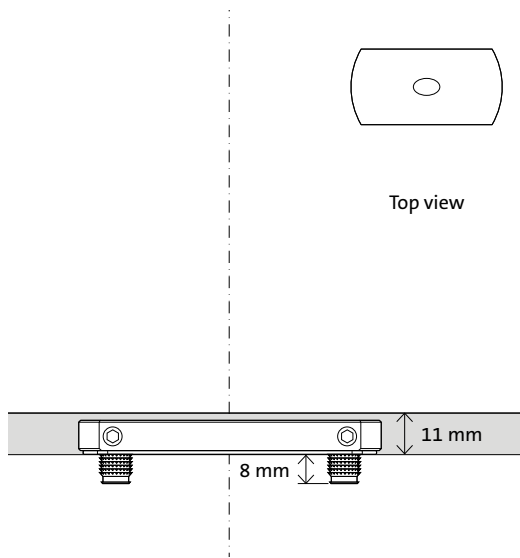
Top pivots Top pivot Reversed

Accessories Adapters

Floor plates

Our floor plates support the door at the bottom. They are either surface mounted with only short pins anchoring into the floor or recessed in the sill. Their compact design makes installation a lot easier, and they combine perfectly with pre-installed underfloor heating.

Installation on the floor

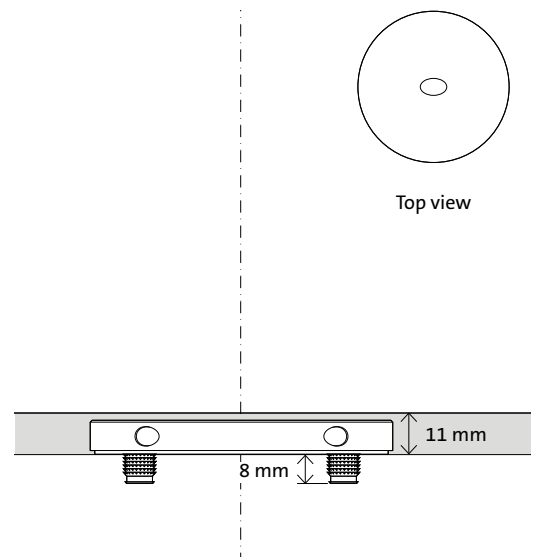


Floor plate squared

80 × 40 × 9 mm

This floor plate features radial adjustment possibilities.

Mounting pins	Two or four 8 mm pins for optimal stability between two floor types. Or two 30 mm pins for mounting on layered floor materials.
Undercut	11 mm
Colours	Stainless steel Black
Radial adjustment	Yes, 2.5° to the left and 2.5° to the right



Floor plate round

Ø80 × 9 mm

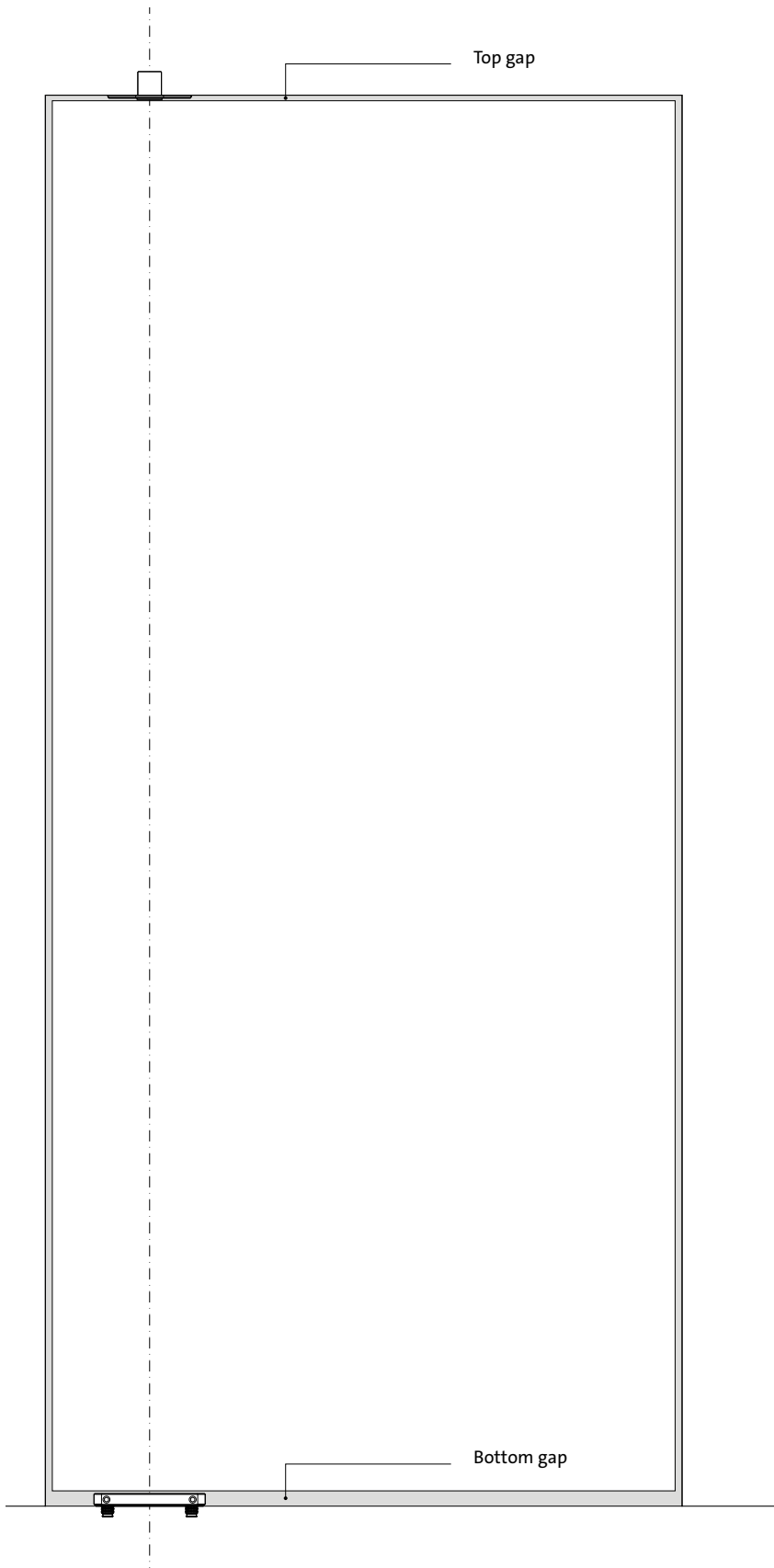
Especially for aesthetic purposes, we feature the round 80 mm floor plate.

Mounting pins	Four 8 mm pins
Undercut	11 mm
Colours	Stainless steel Black
Radial adjustment	Yes, 2.5° to the left and 2.5° to the right

Technical checklist

To make sure you have every technical specific you need, we have compiled a smart checklist.

Top and bottom gap



Top gap

The distance between ceiling and top of the door should be 4-10 mm*.

* In all situations, beware of sagging.

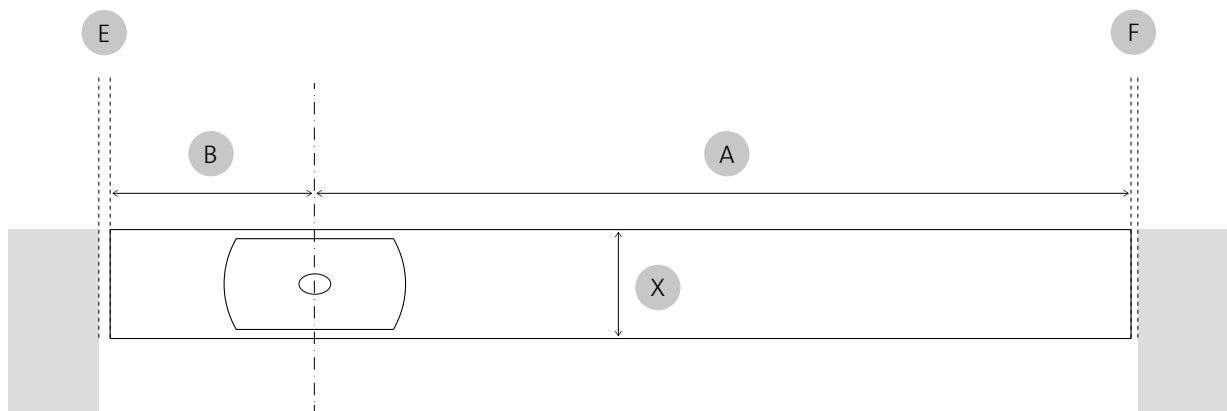
Bottom gap

The opening between the bottom of the door and the floor depends on the floor plates that are used.

Floor plate squared	11 mm
---------------------	-------

Floor plate round	11 mm
-------------------	-------

Side gaps



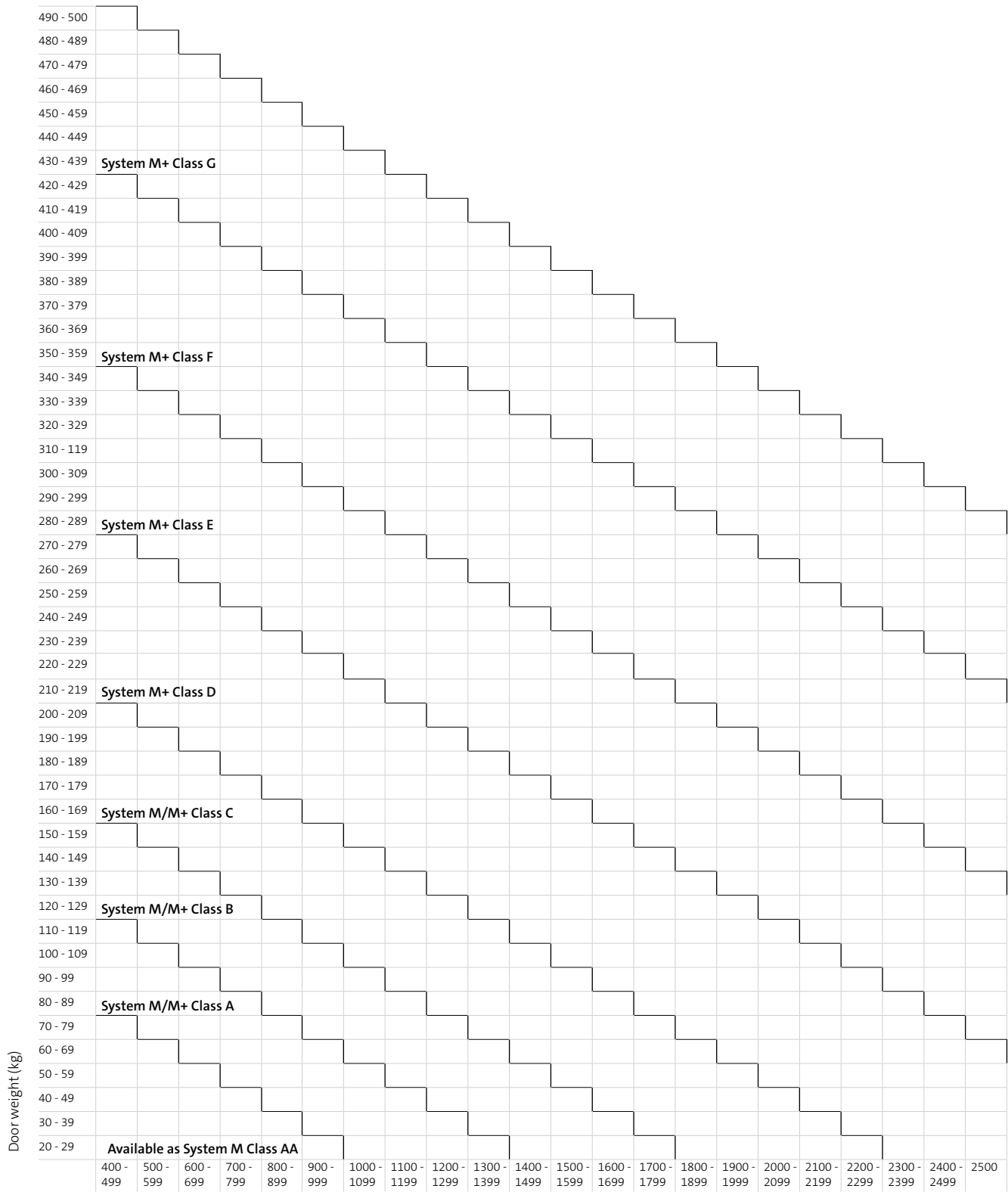
- X Door thickness
- B Distance of pivot point to the near edge of the door
- A Distance of pivot point to the far edge of the door
- E Minimum gap left
- F Minimum gap right

The minimum gap at the side of the door depends on the thickness and the width of the door in relation to the position of the pivot point.

The outcome on left and right will be different. The calculation is made based on the radius of the door when turning. The smaller the radius (the pivoting side) and the thicker the door, the bigger the required gap between door and wall or frame.

Calculate the required gap dimensions with our Gap Calculator: www.fritsjurgens.com/gap-calculator.

System M+ /M weight classes table



Distance of pivot point to the far edge of the door (mm)

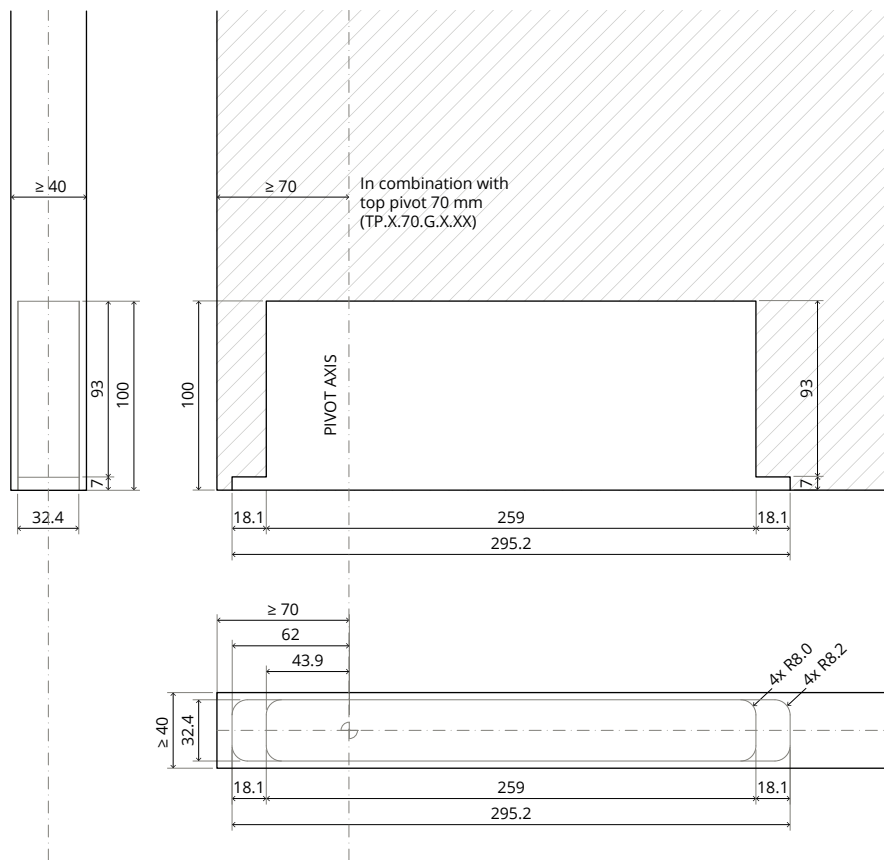
Milling and components

We tried to keep our milling procedure as simple as our designs. By following the step-by-step instructions, preparing a door to fit our components should be easy as one two three. Keep in mind that the space for milling is always larger than the system itself.

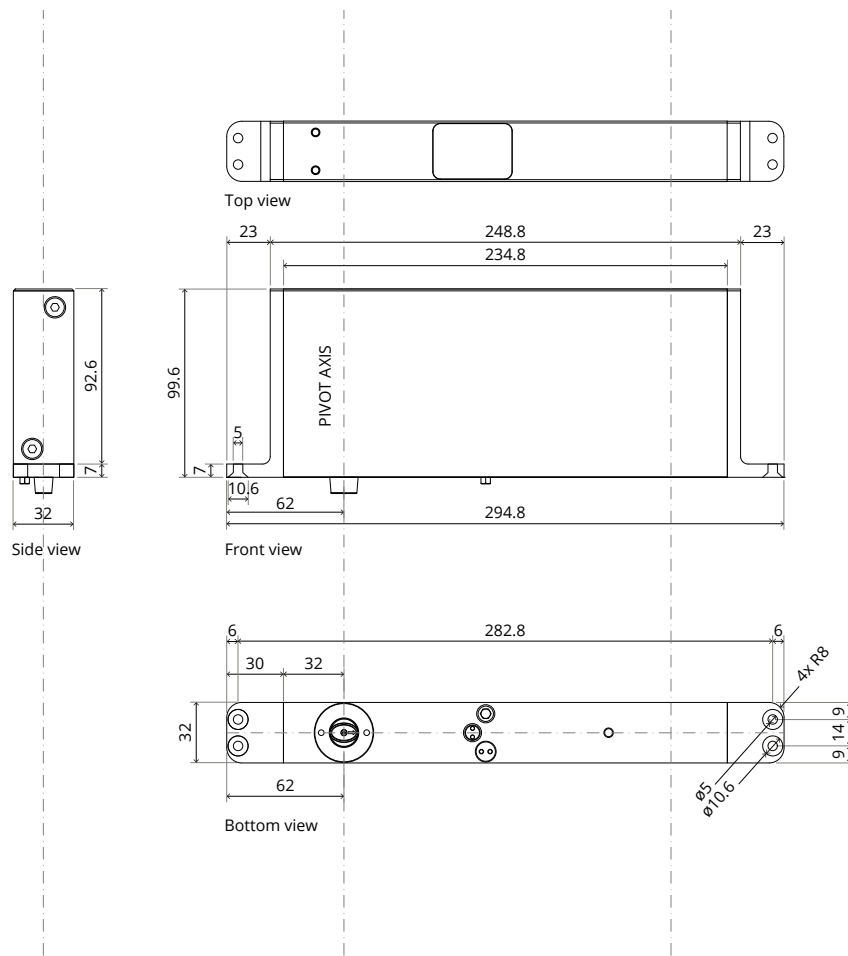
System M 70 mm

Milling - preparing the door

Pivot point = minimally 70 mm



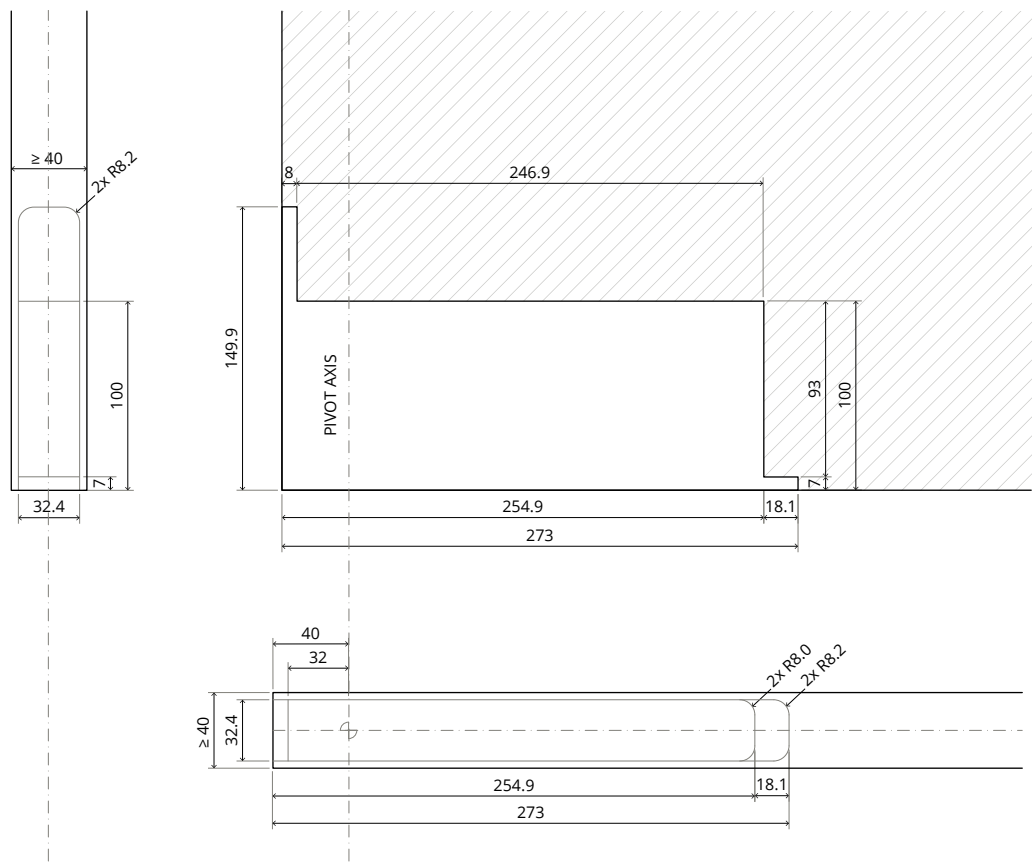
Components



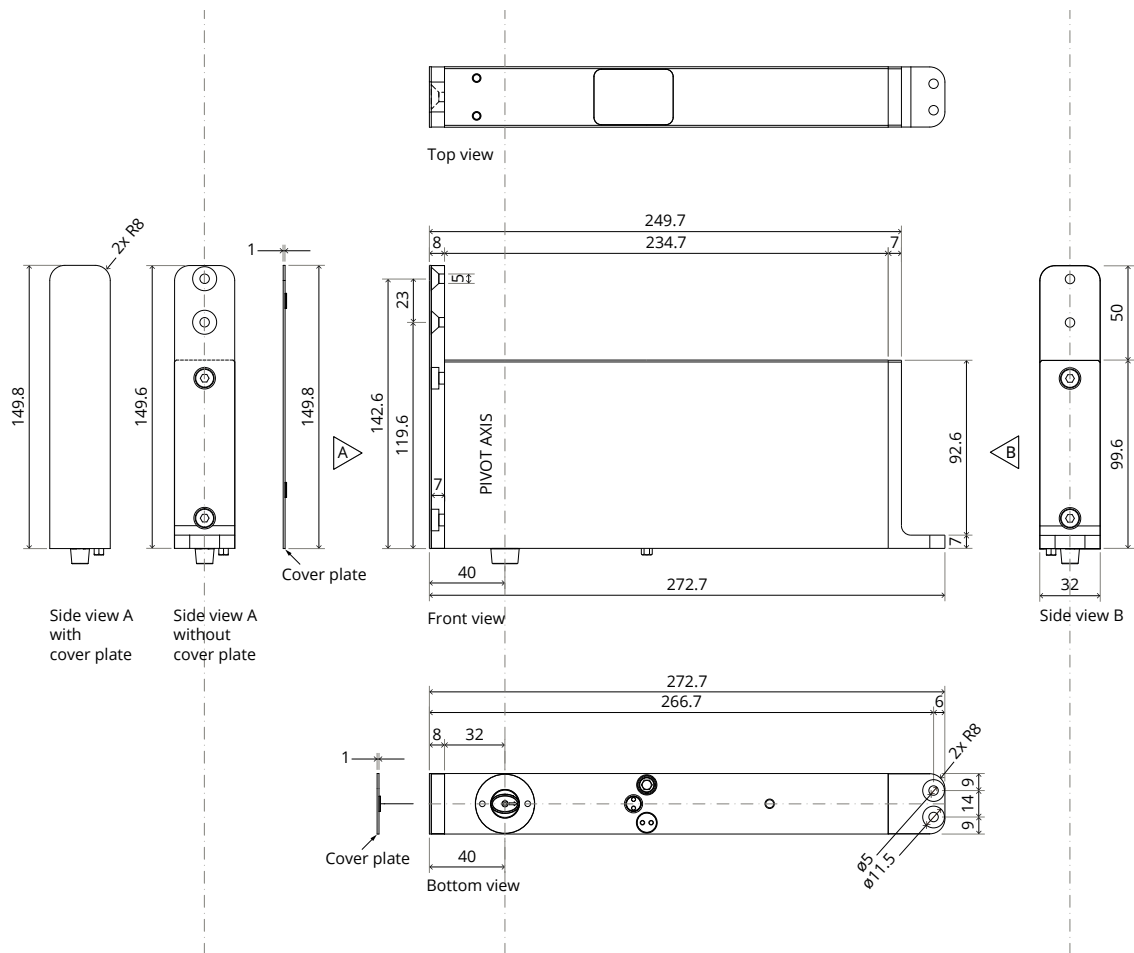
System M 40 mm

Milling - preparing the door

Pivot point = fixed 40 mm

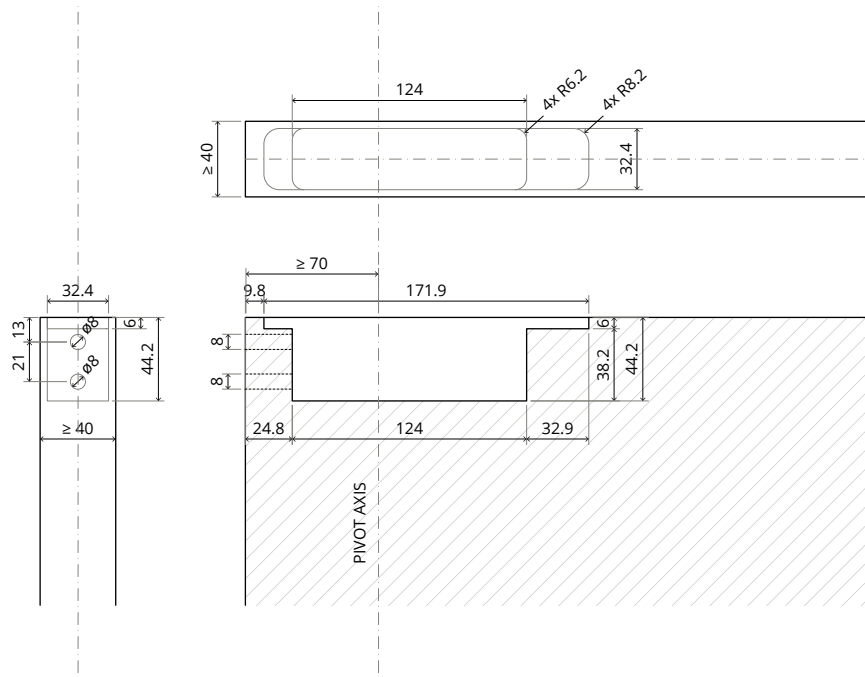


Components

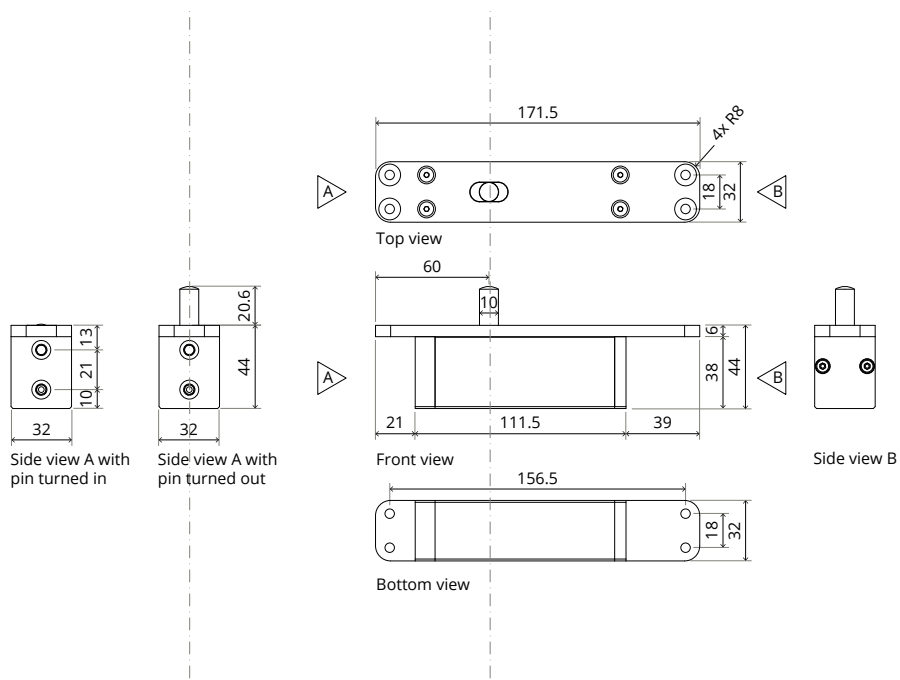


Top pivot 70 mm Class B

Milling - preparing the door

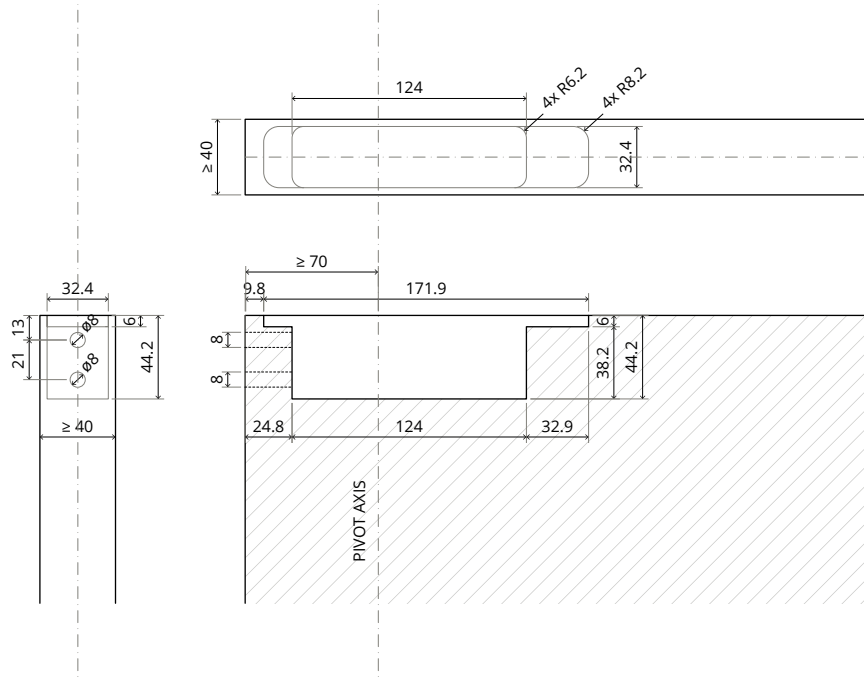


Components

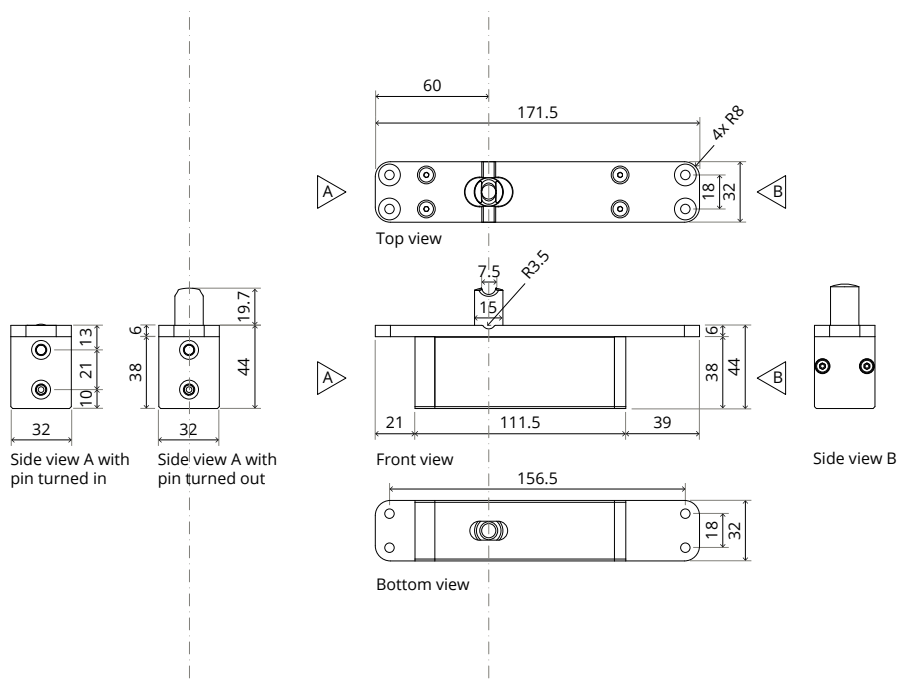


Top pivot 70 mm Class G

Milling - preparing the door

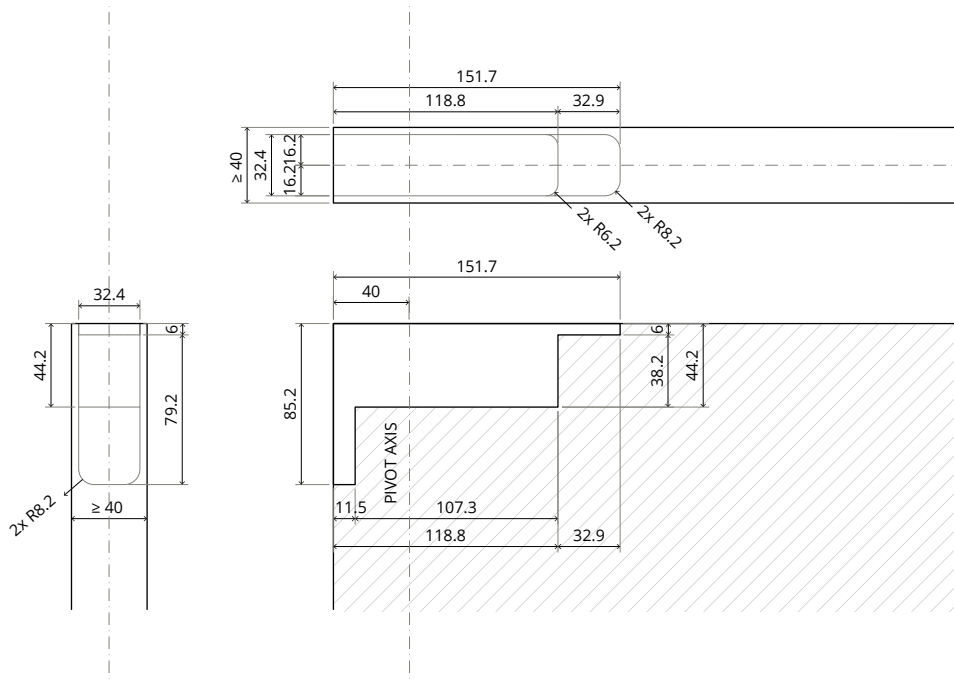


Components

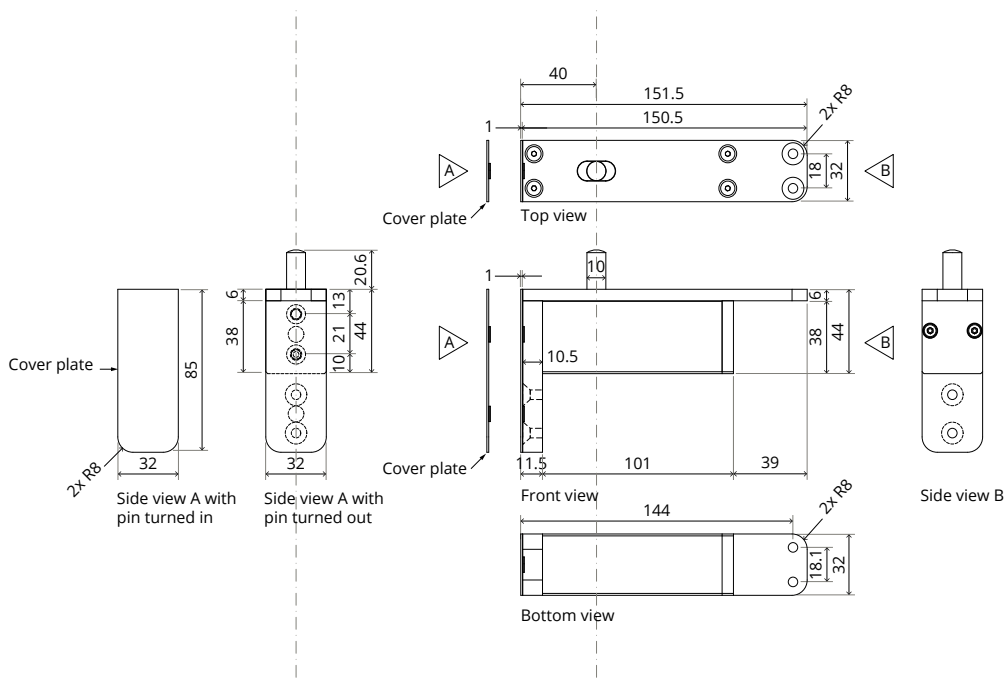


Top pivot 40 mm Class B

Milling - preparing the door

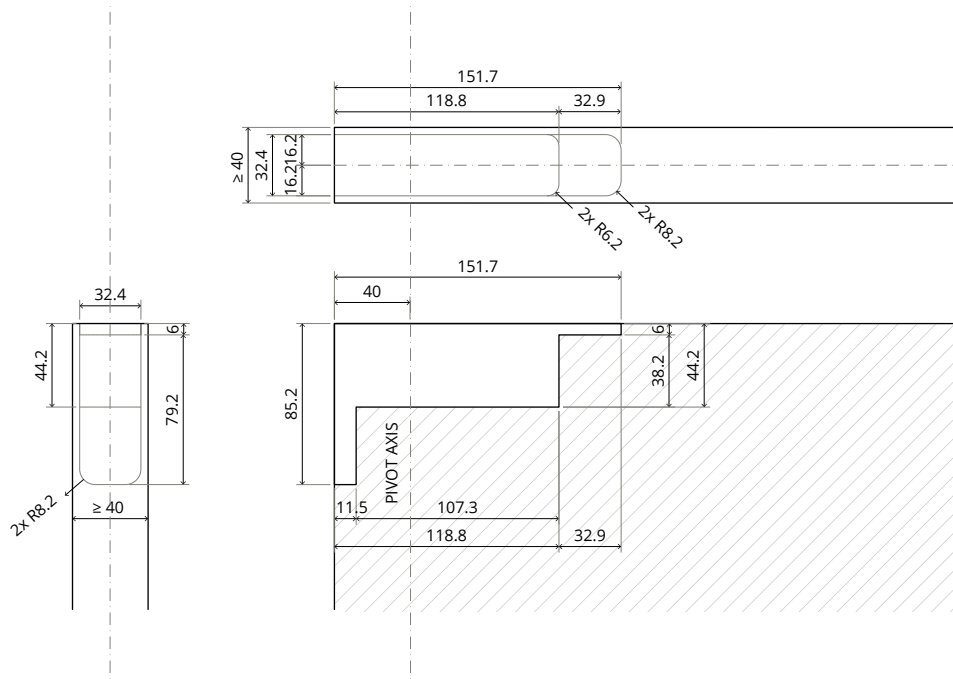


Components

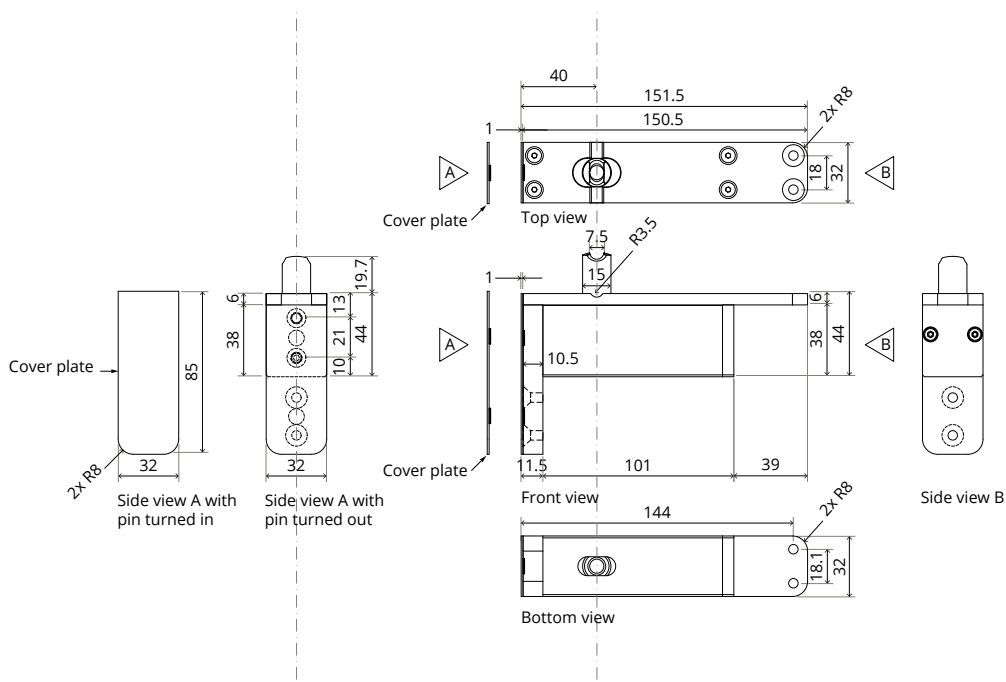


Top pivot 40 mm Class G

Milling - preparing the door

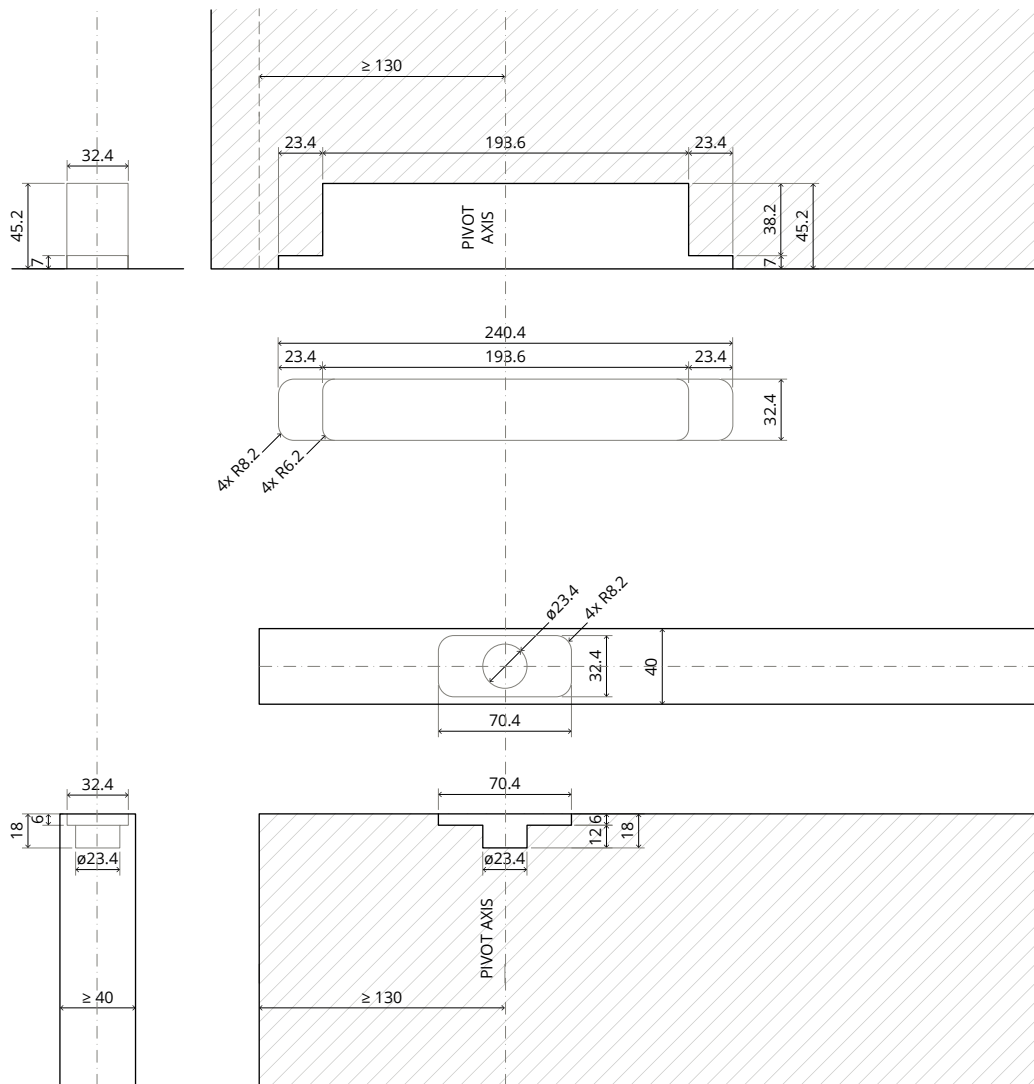


Components

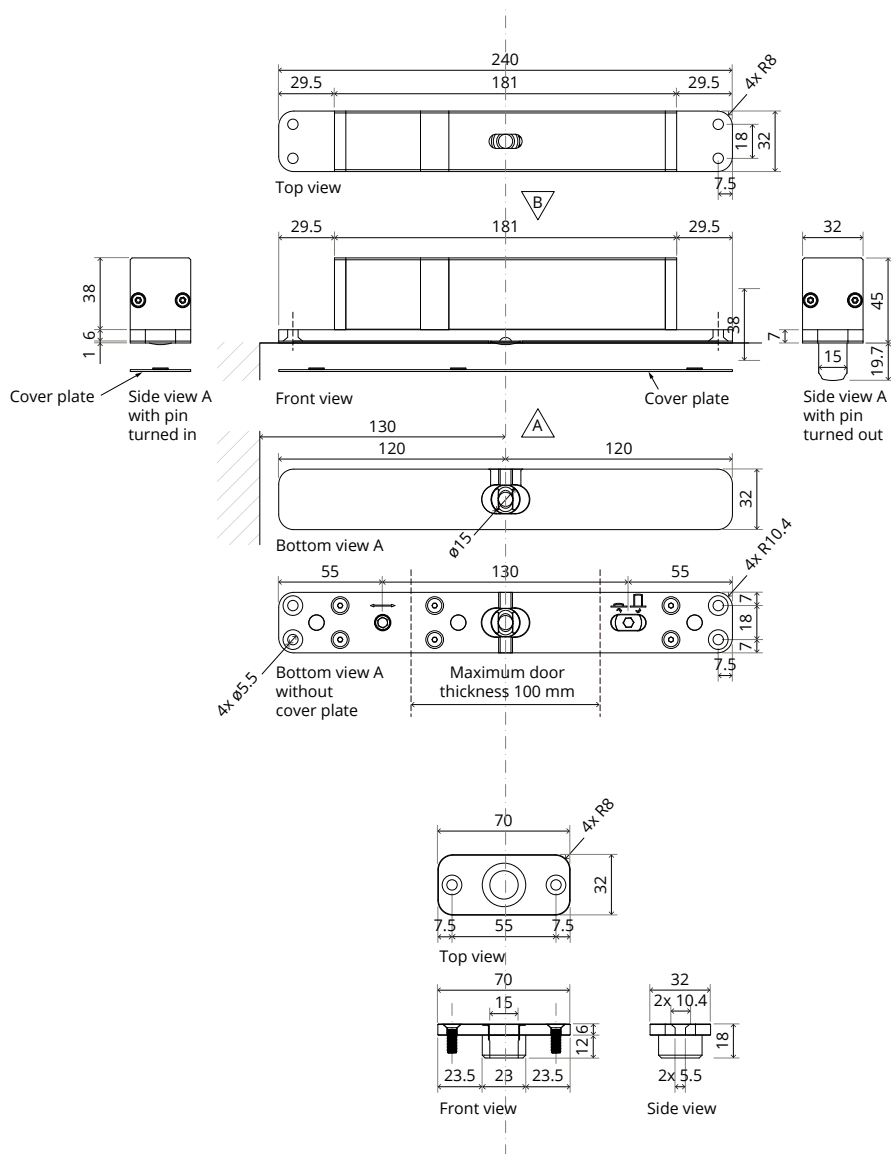


Top pivot Reversed

Milling - preparing the door and ceiling/head jamb



Components



FritsJurgens International

A. Einsteinlaan 1
9615 TE Kolham
The Netherlands
+31 598 343 410
info@fritsjurgens.com

FritsJurgens Dubai Branch

DLC-OP-A2-4-0029
Dubai South
Dubai
United Arab Emirates
+971 4 820 8106
+971 58 137 2611
dubai@fritsjurgens.com

fritsjurgens.com



Copyright © FritsJurgens®
BO.tech.M.EN - 11/2024