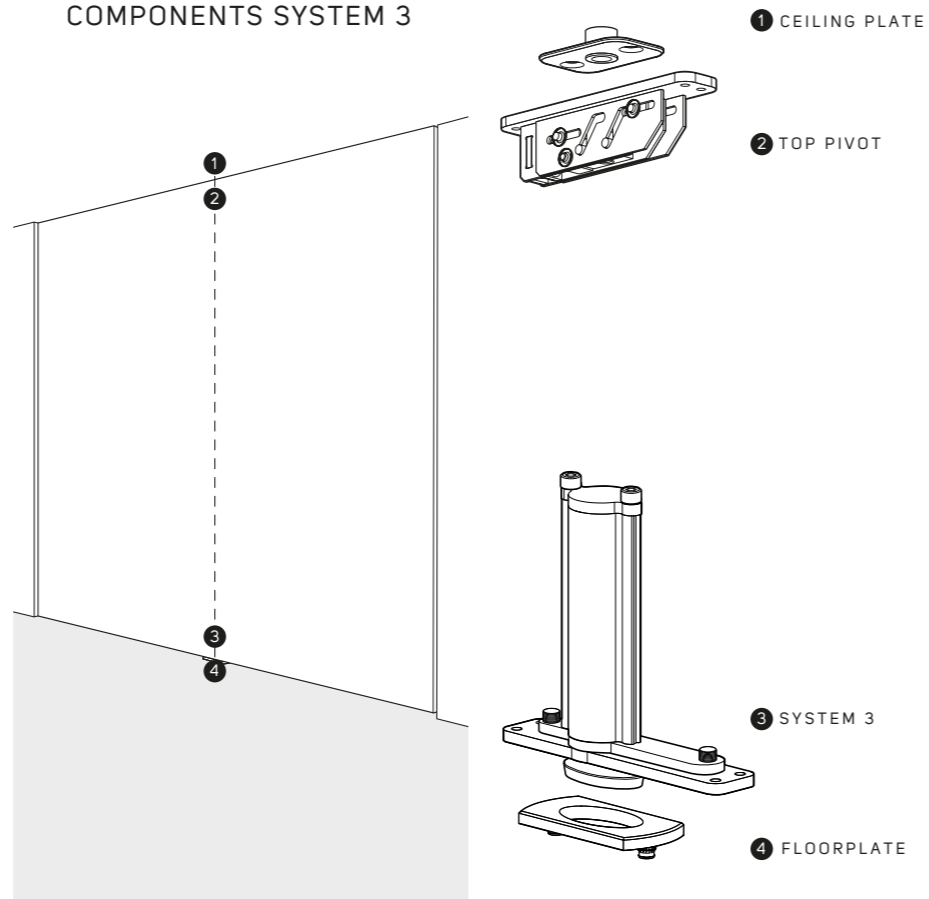


INT-1.5-2019
MILLING MANUAL

COMPONENTS SYSTEM 3



FritsJurgens®

SYSTEM 3

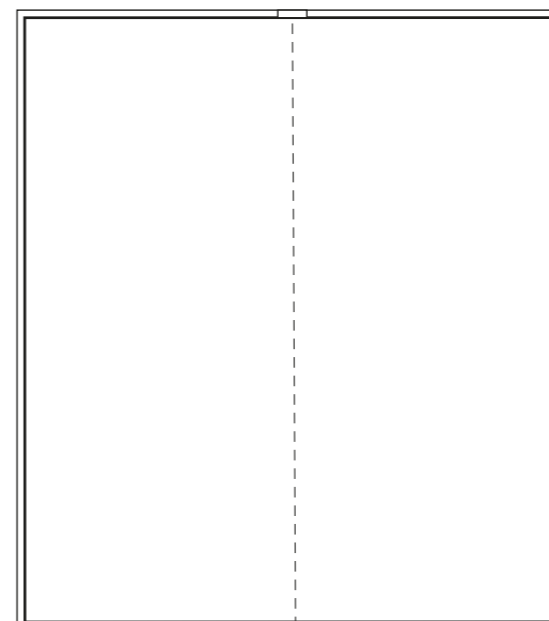
MILLING KIT



NOTE: MILLING KIT IS FOUND IN PACKAGING
BELOW THE TOP PIVOT

GAPS AROUND THE DOOR

TOP SEAM
MIN. 4MM
MAX. 10MM

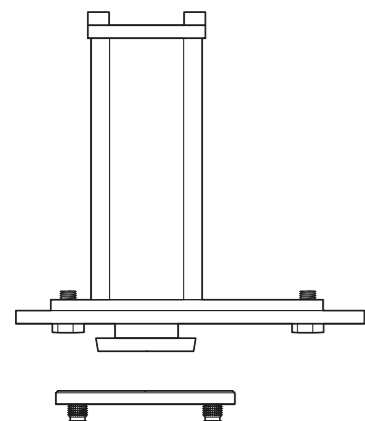


BOTTOM SEAM =13MM

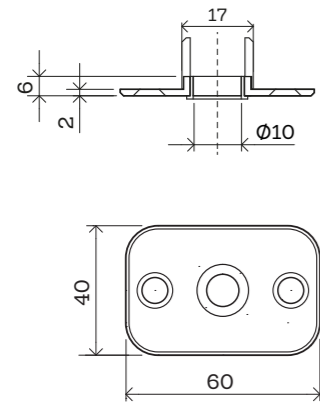
FRITSJURGENS®
+31 598 343 410
INFO@FRITSJURGENS.COM
WWW.FRITSJURGENS.COM



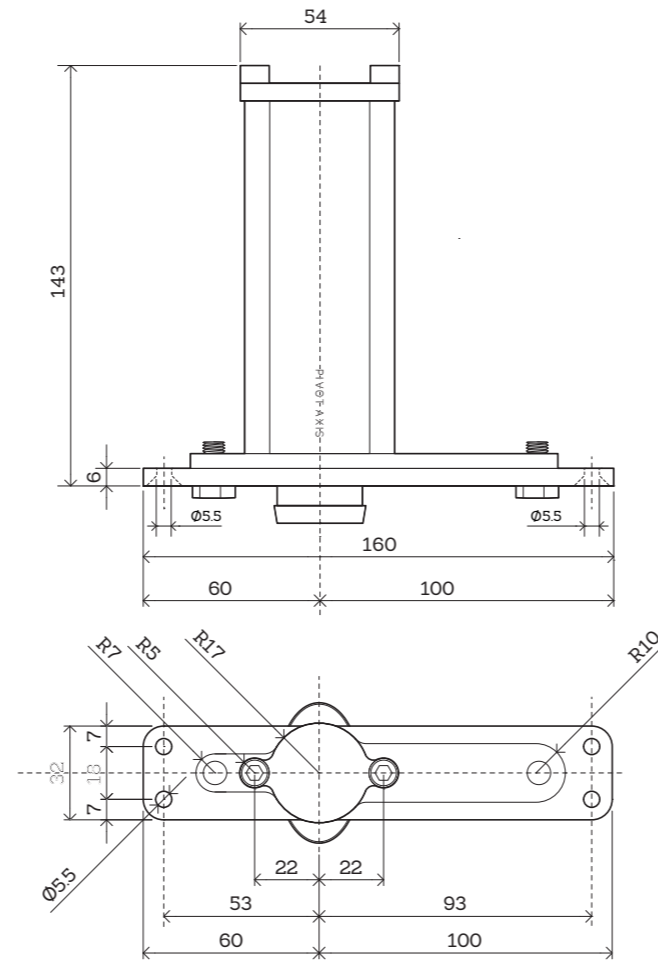
← ALSO CONSULT THE
ONLINE MANUAL



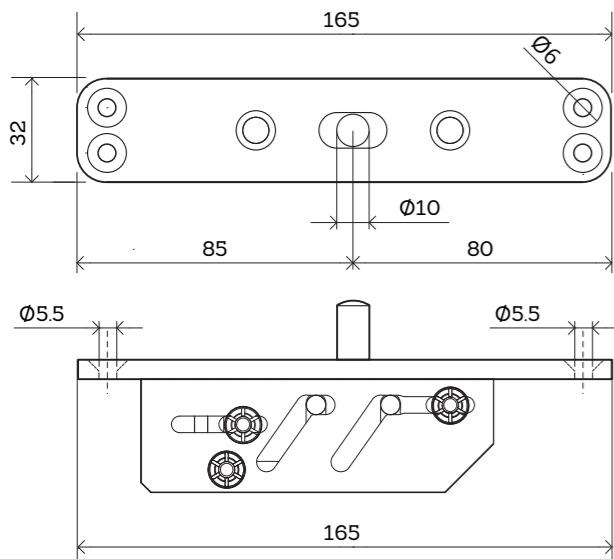
CEILING PLATE



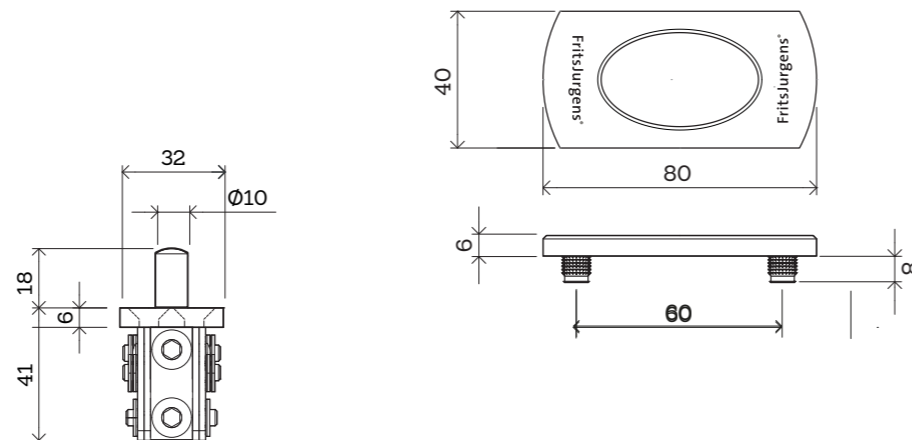
SYSTEM 3



TOP PIVOT



FLOORPLATE



TOP PIVOT* *WHEN X ≥ 280MM / 11IN

